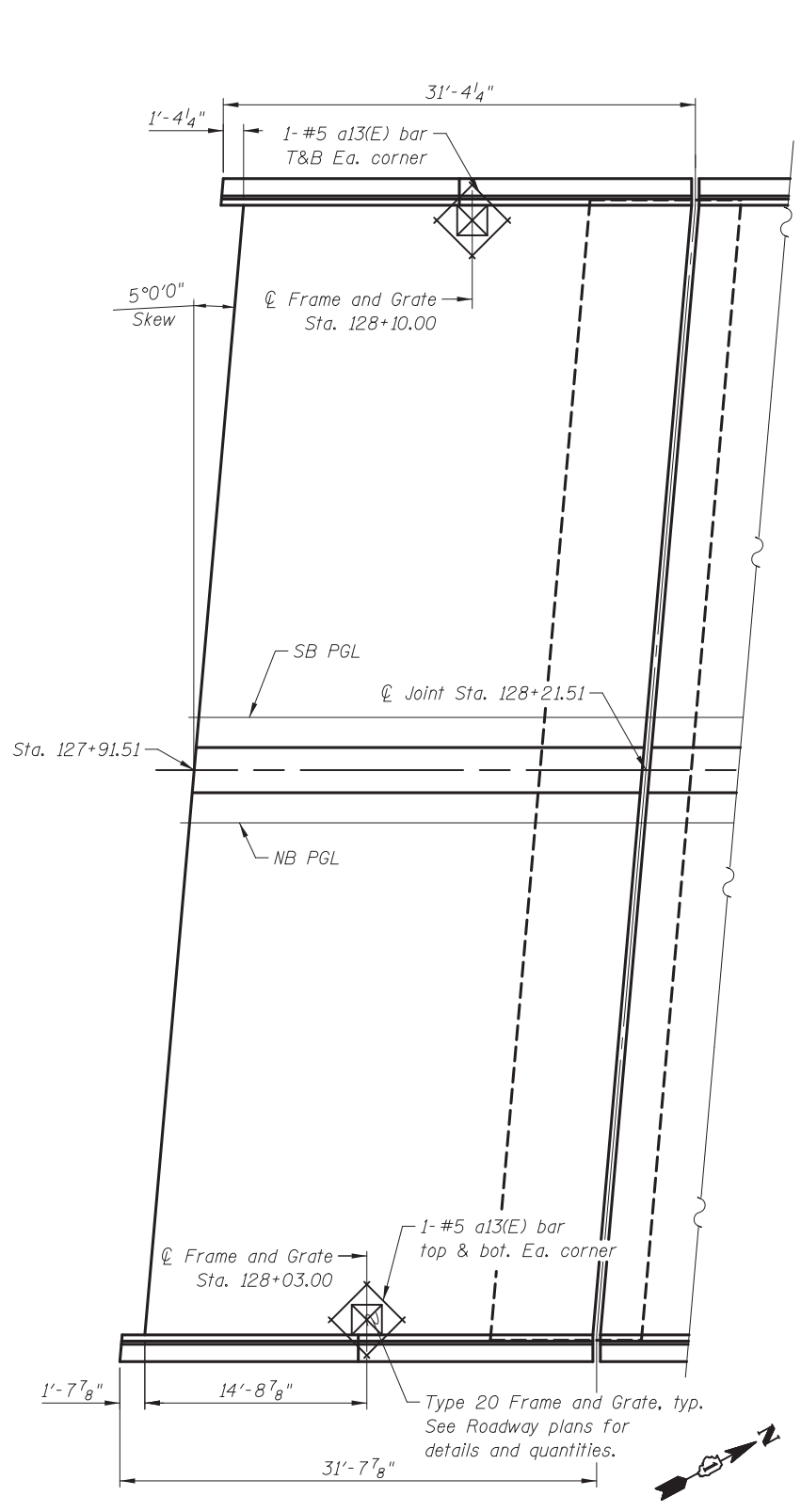


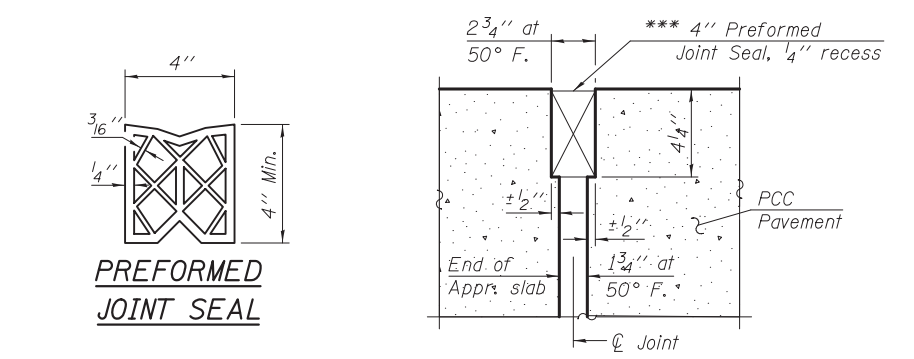
PLAN - SOUTH APPROACH

*Tilt #9 b11(E) bars as required to maintain clearance.
 **Space between a10(E), typ. each parapet.



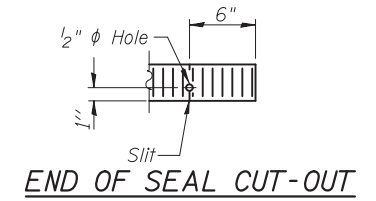
PLAN - NORTH APPROACH

(See South Approach for remainder of dimensions and reinforcement)

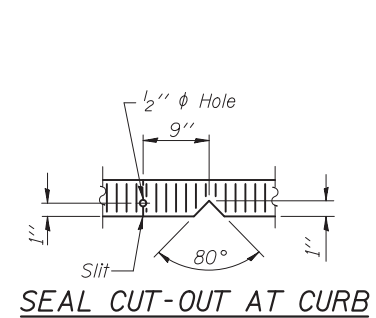


SECTION A-A

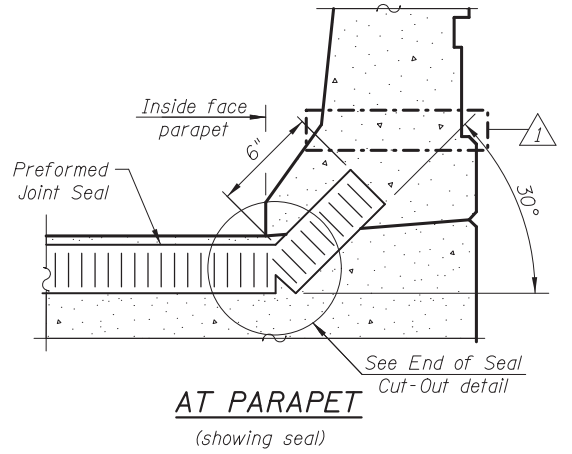
*** Cost included with Concrete Superstructures



END OF SEAL CUT-OUT

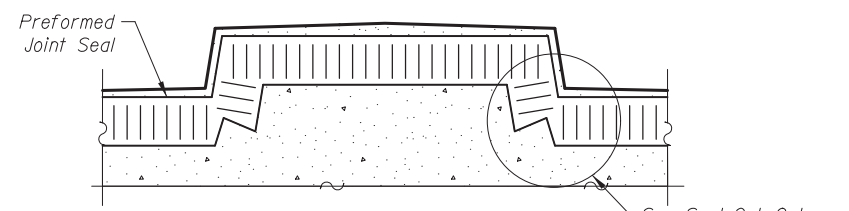


SEAL CUT-OUT AT CURB



AT PARAPET

(showing seal)



AT MEDIAN

(showing seal)

Notes:
 See sheet SA14 for Bar Bending Diagrams, Reinforcement Schedule & Bill of Materials.
 See sheet SA14 for Sections B-B and C-C. a10(E), a11(E), b12(E), c10(E) and c11(E) measured along ϕ IL Rte 31

MINIMUM BAR LAP

(Approach Slab)
 #4 bar = 2'-7"
 #5 bar = 3'-3"

10:39:08 AM I:\2154\cad\sheet\Roadway\20-Structures & Walls\01.SN 056-007T\056007T-60F72-B-APS_rev2.dgn 5/21/2012

CIVILTECH
 450 E Devon Ave, Suite 300
 Itasca, Illinois 60143
 Tel: 630.773.3900 Fax: 630.773.3975
 www.civiltechinc.com

DRAWN	- M. LANGE	REVISED	- 5/3/12 D.L.A.
DESIGNED	- D. ATKINS	REVISED	-
CHECKED	- G. HATLESTAD	REVISED	-
DATE	- 5/3/2012	REVISED	-

**STATE OF ILLINOIS
 DEPARTMENT OF TRANSPORTATION**

**BRIDGE APPROACH SLAB
 ILLINOIS ROUTE 31 OVER CRYSTAL CREEK
 STRUCTURE NO. 056-0077**

O.R. RTE.	SECTION	COUNTY	TOTAL SHEETS	SHEET NO.
0003	18A-2	MCHENRY	825	473
CONTRACT NO. 60F72				
ILLINOIS FED. AID PROJECT				

SHEET NO. SA13 OF SA33 SHEETS