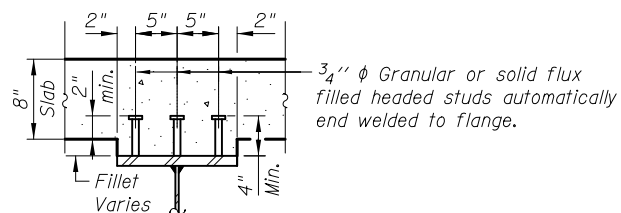


CAMBER DIAGRAM

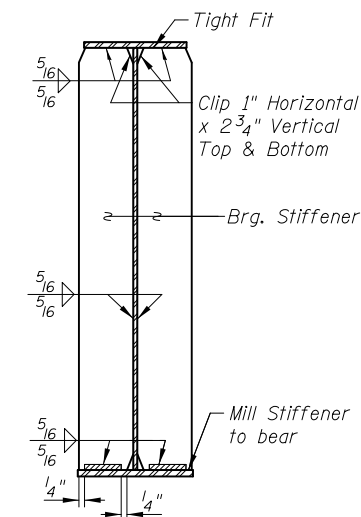


SECTION A-A

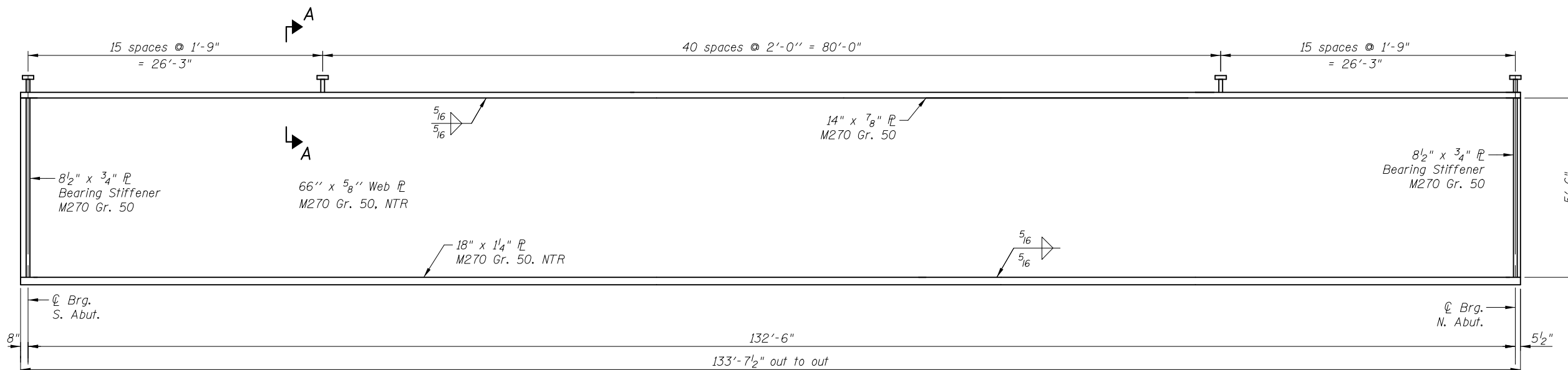
TOP OF WEB ELEVATIONS

(For Fabrication Only)

GIRDER	℄ Brg. S. Abut.	℄ Brg. N. Abut.
1	767.77	769.23
2	767.93	769.38
3	768.09	769.54
4	768.25	769.70
5	768.41	769.86
6	768.40	769.85
7	768.22	769.68
8	768.05	769.51
9	767.88	769.33
10	767.70	769.16



SECTION AT ABUTMENT



GIRDER ELEVATION

TOTAL BILL OF MATERIAL

ITEM	UNIT	TOTAL
Furnishing and Erecting Structural Steel	L. Sum	0.32
Stud Shear Connectors	Each	2,130

Note:

Load carrying components designated "NTR" shall conform to the Impact Testing Requirements, Zone 2.
Refer to sheets SA11 & SA12 for the Ornamental Aluminum Lattice for the West Fascia of Beam 1 and the East Fascia of Beam 10.

4/16/2012 4:16:42 PM I:\2154\cad\sheet\Roadway\20-STRUCTURES & WALLS\01.SN 056-0077\0560077-60F72-19-FGB.dgn



450 E Devon Ave, Suite 300
Itasca, Illinois 60143
Tel: 630.773.3900 Fax: 630.773.3975
www.civiltechinc.com

DRAWN	- M. LANGE	REVISED	-
DESIGNED	- D. ATKINS	REVISED	-
CHECKED	- G. HATLESTAD	REVISED	-
DATE	- 5/3/2012	REVISED	-

**STATE OF ILLINOIS
DEPARTMENT OF TRANSPORTATION**

**PLATE GIRDER DETAILS
ILLINOIS ROUTE 31 OVER CRYSTAL CREEK
STRUCTURE NO. 056-0077**

SHEET NO. SA19 OF SA33 SHEETS

O.R. RTE.	SECTION	COUNTY	TOTAL SHEETS	SHEET NO.
0003	18A-2	MCHENRY	825	479
			CONTRACT NO. 60F72	
ILLINOIS FED. AID PROJECT				