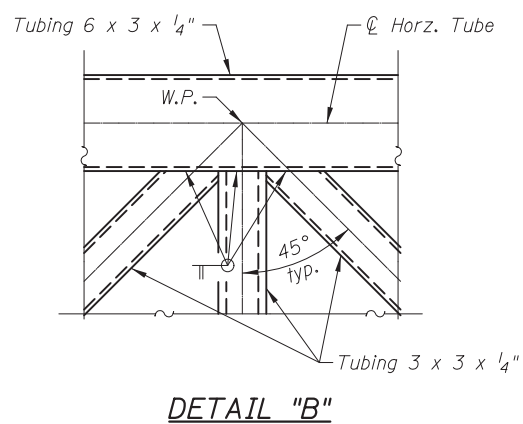
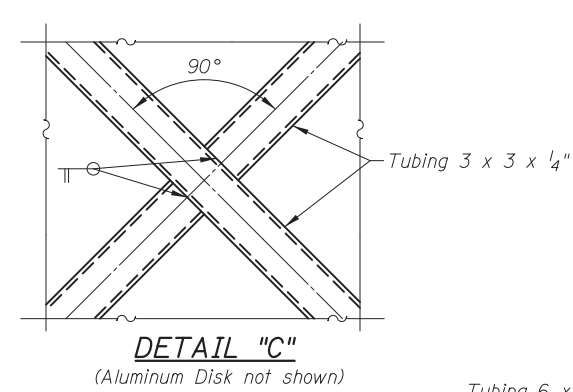


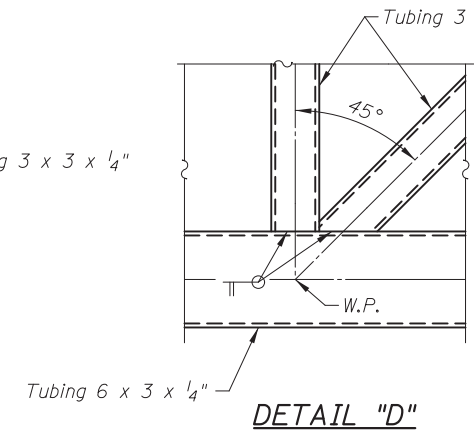
HORIZONTAL BAR SPLICE



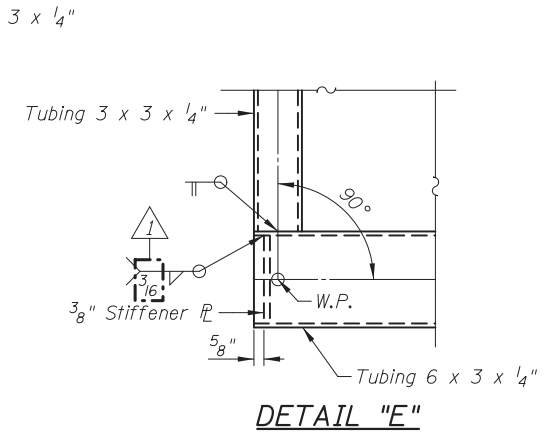
DETAIL "B"



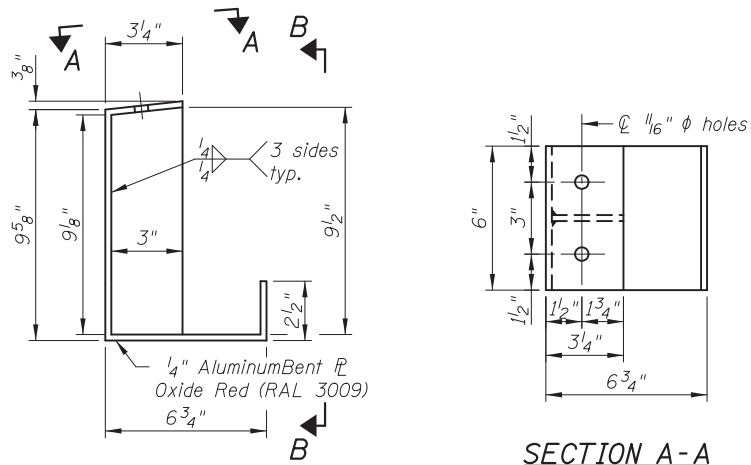
DETAIL "C"
(Aluminum Disk not shown)



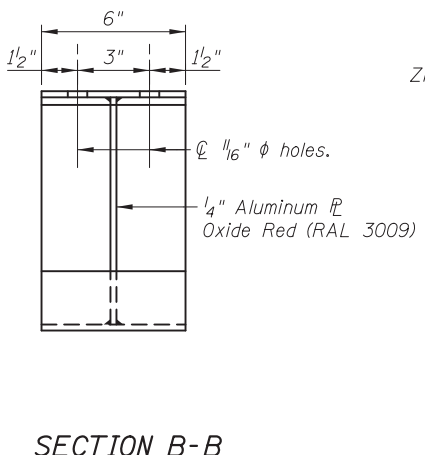
DETAIL "D"



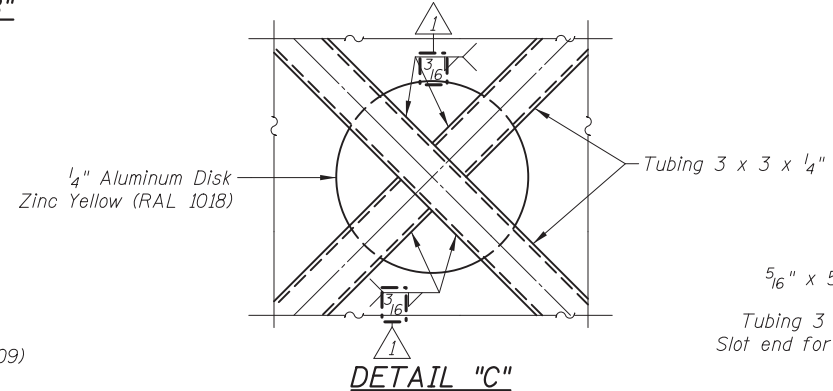
DETAIL "E"



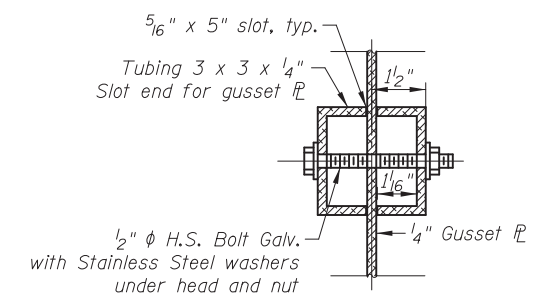
HANGER DETAIL



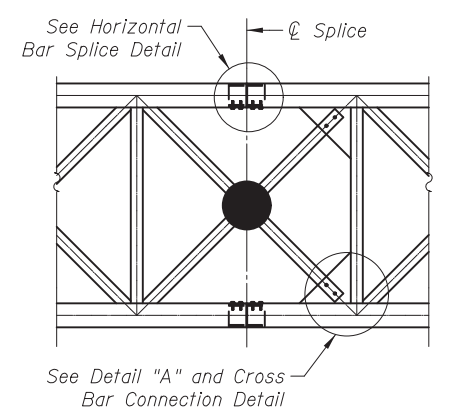
SECTION B-B



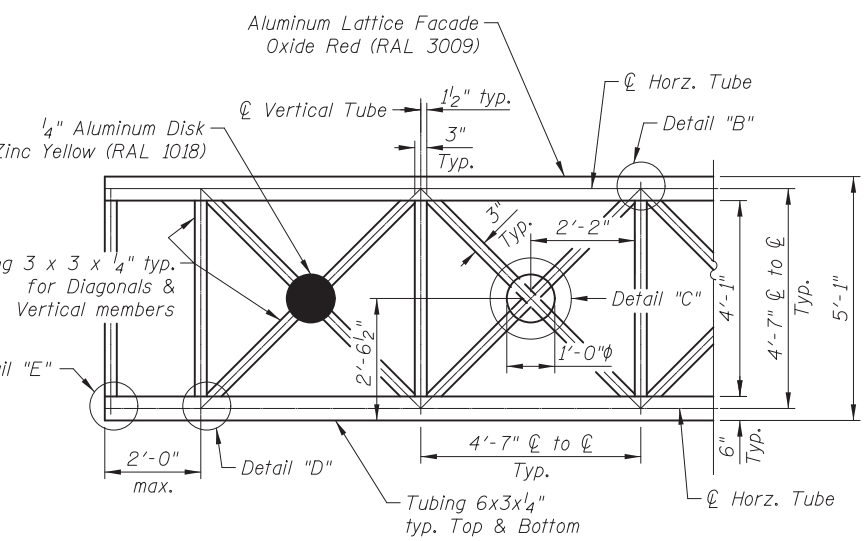
DETAIL "C"



CROSS BAR CONNECTION

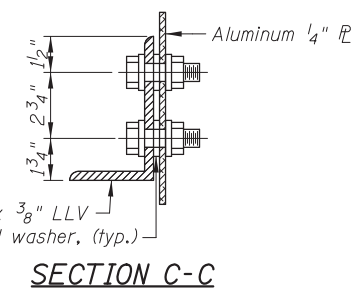


LATTICE SPLICE

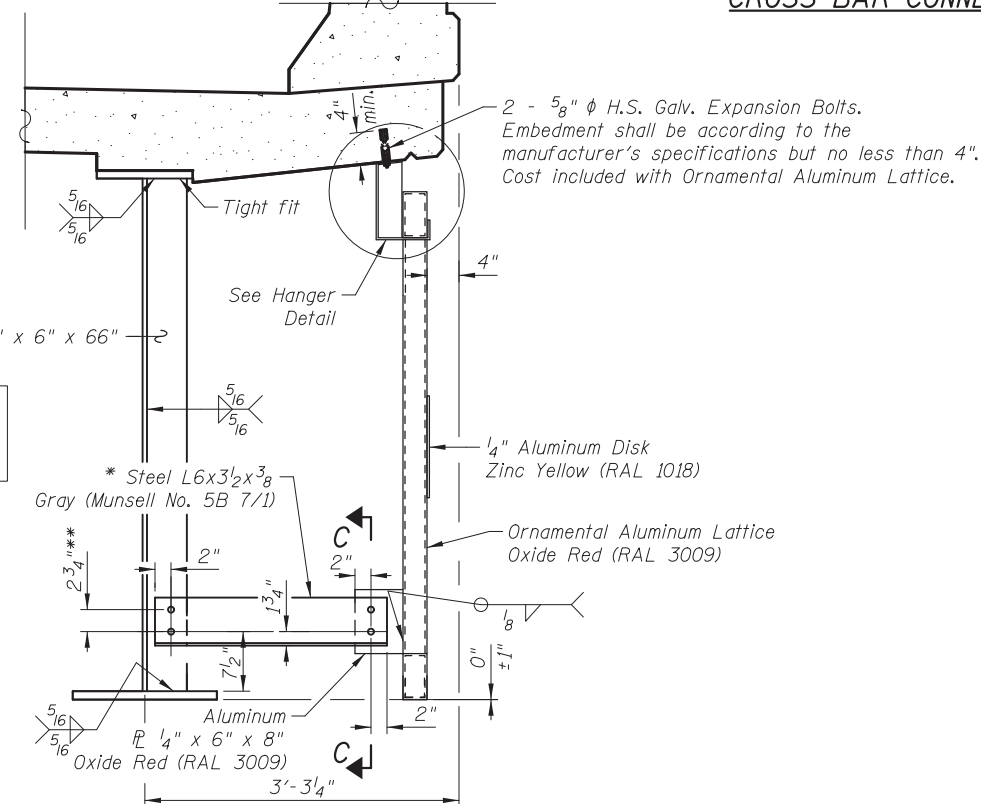


ALUMINUM LATTICE ELEVATION

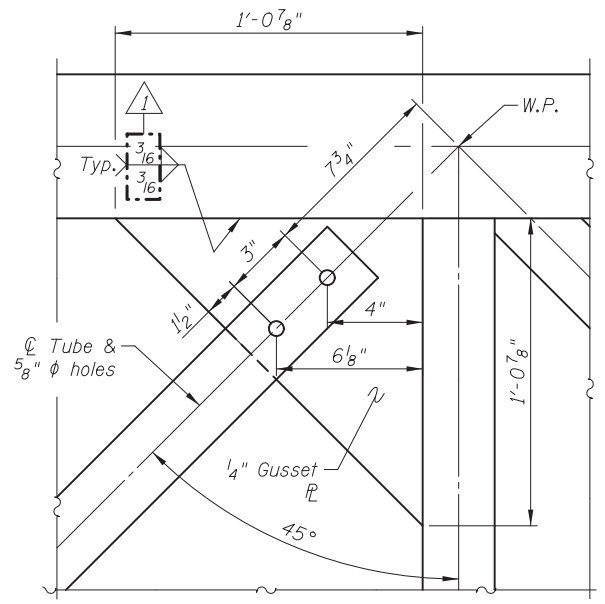
* Coordinate locations of Connection Plate with Steel Fabricator. Cost included with Furnishing and Erecting Structural Steel



SECTION C-C



TYPICAL ALUMINUM LATTICE LATERAL BRACING



DETAIL "A"

BILL OF MATERIAL

| ITEM | UNIT | QUANTITY |
|-----------------------------|------|----------|
| Ornamental Aluminum Lattice | Foot | 294 |

Notes:
Hangers and aluminum plates to be included in the cost of Ornamental Aluminum Lattice.
All aluminum welds shall be Filler Alloy 5356 with a min. allowable stress of 7 ksi.
See sheet SA12 for Elevation View of the Exterior Fascia of the beams.
W.P. indicates work point.

CIVILTECH
450 E Devon Ave, Suite 300
Itasca, Illinois 60143
Tel: 630.773.3900 Fax: 630.773.3975
www.civiltechinc.com

| | | | |
|----------|----------------|---------|--------------------|
| DRAWN | - M. LANGE | REVISED | - 5/23/2012 D.L.A. |
| DESIGNED | - D. ATKINS | REVISED | - |
| CHECKED | - G. HATLESTAD | REVISED | - |
| DATE | - 5/3/2012 | REVISED | - |

STATE OF ILLINOIS DEPARTMENT OF TRANSPORTATION

ORNAMENTAL ALUMINUM LATTICE ILLINOIS ROUTE 31 OVER ALGONQUIN ROAD STRUCTURE NO. 056-0081
SHEET NO. SB10 OF SB32 SHEETS

| O.R. RTÉ. | SECTION | COUNTY | TOTAL SHEETS | SHEET NO. |
|-----------|---------|---------|--------------------|-----------|
| 0003 | 18A-2 | MCHENRY | 825 | 503 |
| | | | CONTRACT NO. 60F72 | |

ILLINOIS FED. AID PROJECT

5/24/2012 9:30:03 AM I:\2164\cad\sheet\Roadway\20-Structures & Walls\02-SN 056-0081\0560081-60F72-10-DAL_rev2.dgn