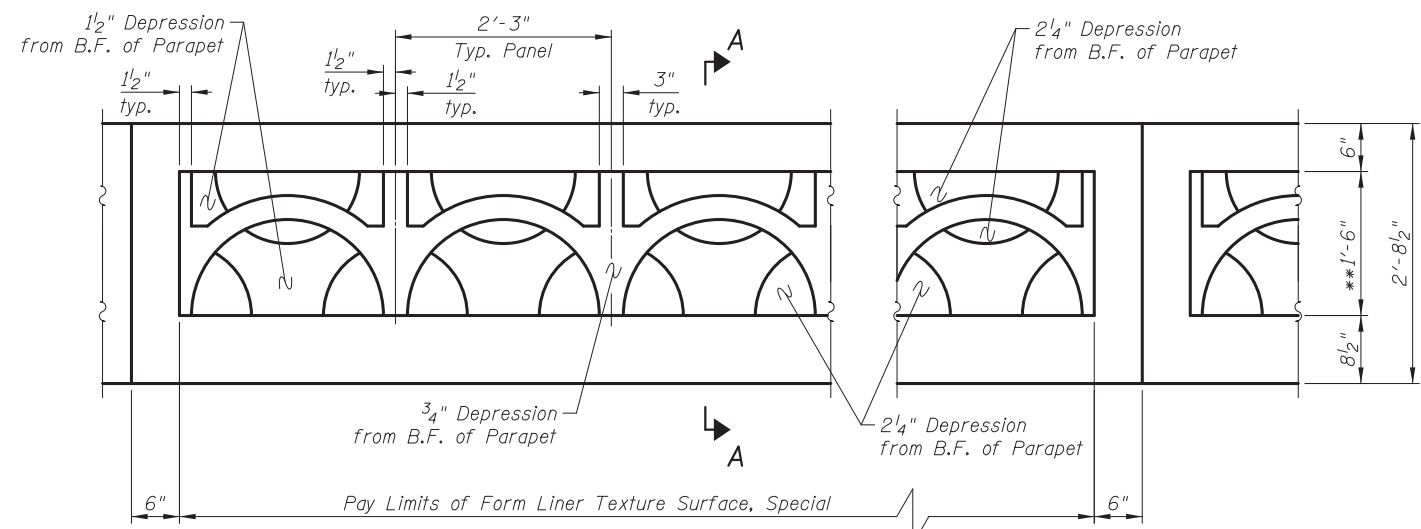
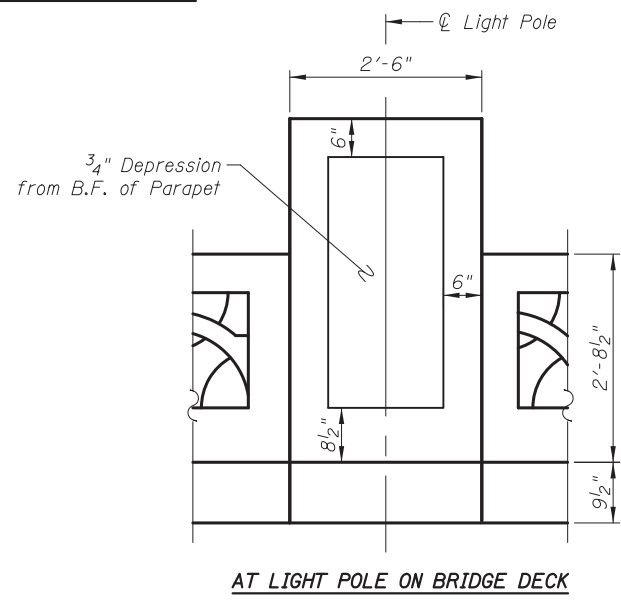


ELEVATION - EXTERIOR FASCIA

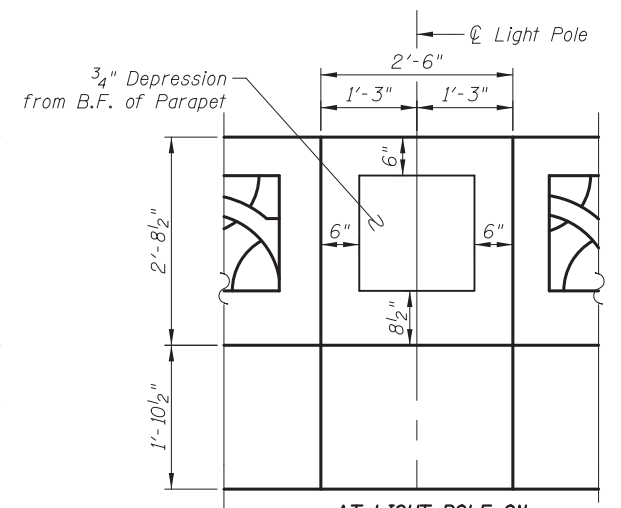
* Lateral Bracing connections shall occur at the vertical aluminum tubes and Hangers shall occur in mid span of lattice. Contractor to layout locations and submit shop drawings for approval.



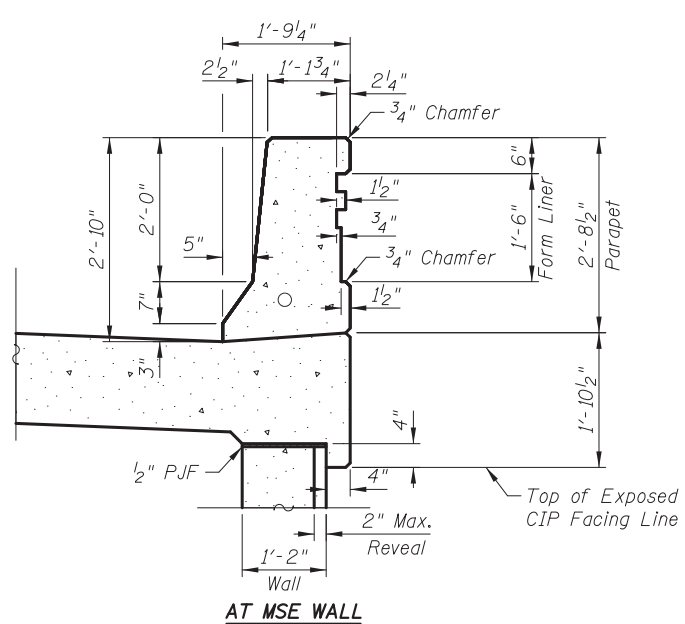
ELEVATION - OUTSIDE FACE OF PARAPET
** Pay Limits of Form Liner Texture Surface, Special



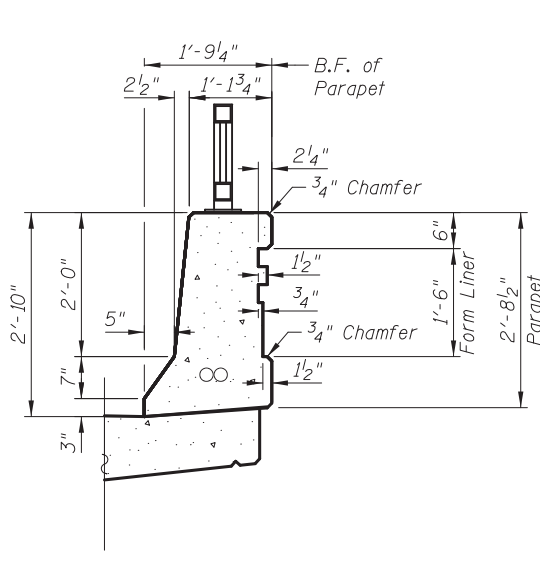
AT LIGHT POLE ON BRIDGE DECK



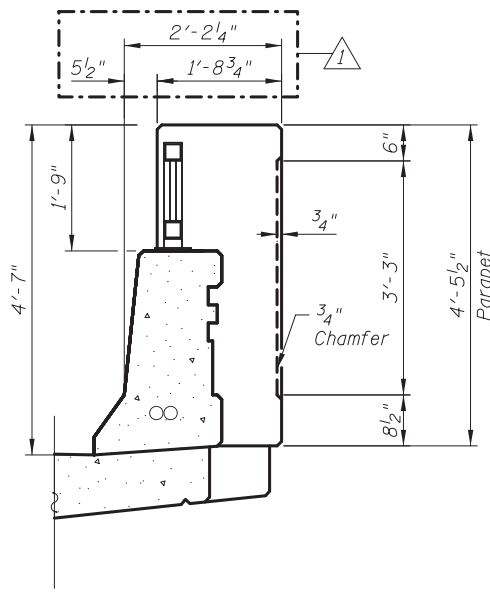
AT LIGHT POLE ON ANCHORAGE SLAB



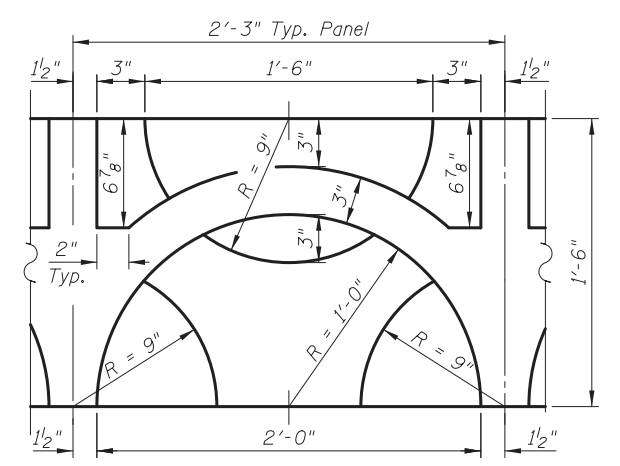
AT MSE WALL



AT BRIDGE DECK



AT LIGHT POLE



FORM LINER TEXTURE SURFACE, SPECIAL DETAIL

Notes:
Parapet, railing, lighting and all other details not specifically pertaining to the lattice are shown for graphics purposes only and will be structure dependant. See Sheet SB10 for Hanger and Lateral Bracing Details.

SECTION A-A

5/21/2012 10:52:20 AM I:\2154\cad\sheet\Roadway\20-Structures & Walls\02-SN_056-008\056008-60F72-II-AD_rev2.dgn


 450 E Devon Ave, Suite 300
 Itasca, Illinois 60143
 Tel: 630.773.3900 Fax: 630.773.3975
 www.civiltechinc.com

DRAWN	- M. LANGE	REVISED	- 5/4/12 K.L.B.
DESIGNED	- D. ATKINS	REVISED	-
CHECKED	- G. HATLESTAD	REVISED	-
DATE	- 5/3/2012	REVISED	-

STATE OF ILLINOIS
DEPARTMENT OF TRANSPORTATION

ARCHITECTURAL DETAILS
ILLINOIS ROUTE 31 OVER ALGONQUIN ROAD
STRUCTURE NO. 056-0081
 SHEET NO. SB 11 OF SB32 SHEETS

O.R. RTE.	SECTION	COUNTY	TOTAL SHEETS	SHEET NO.
0003	18A-2	MCHENRY	825	504
CONTRACT NO. 60F72			ILLINOIS FED. AID PROJECT	