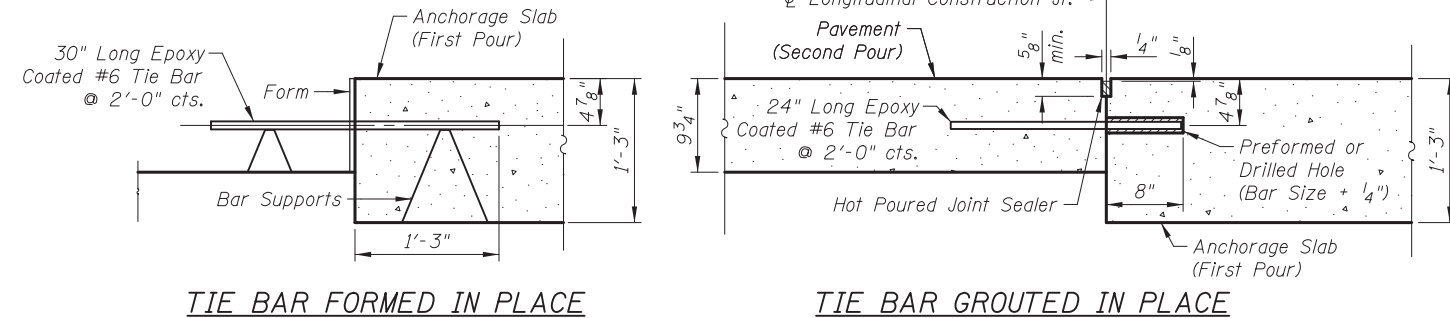


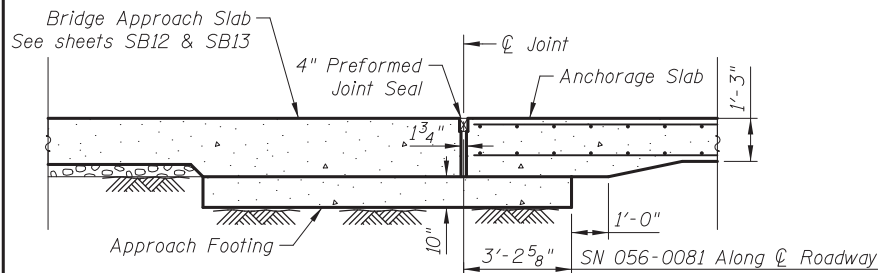
10:54:15 AM I:\2154\cad\sheet\Roadway\20-Structures & Walls\02-SN 056-0081\0560081-60F72-27-AND_rev2.dgn



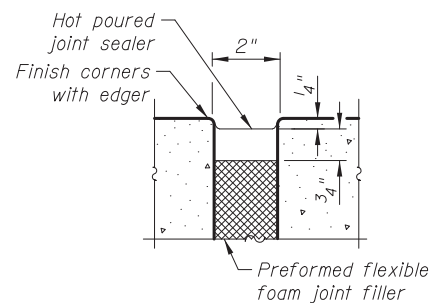
TIE BAR FORMED IN PLACE

TIE BAR GROUTED IN PLACE

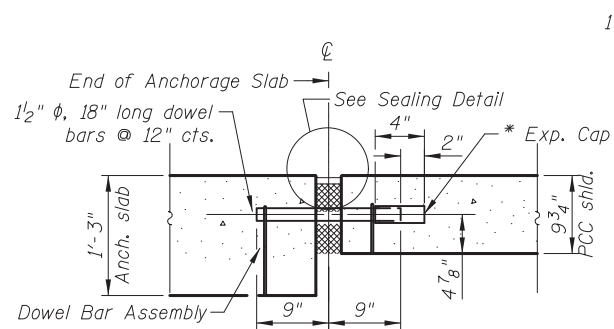
LONGITUDINAL CONSTRUCTION JOINT



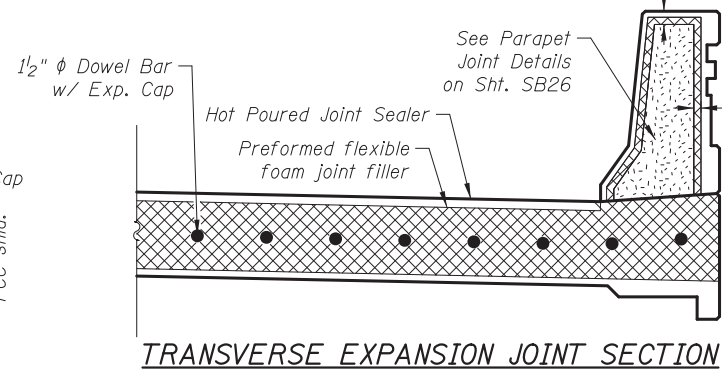
SECTION B-B



SEALING DETAIL

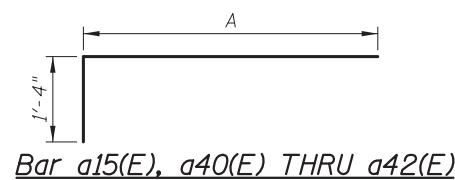
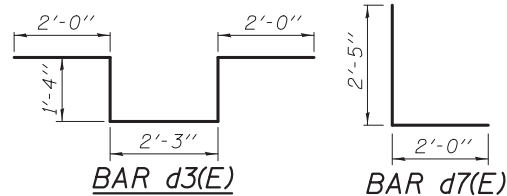


TRANSVERSE EXPANSION JOINT



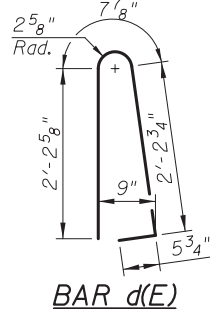
TRANSVERSE EXPANSION JOINT SECTION

* Expansion caps shall be installed on the exposed end of each dowel bar once the header has been removed and the joint filler material has been installed. Expansion Joint and Dowel Bars included in the cost of Concrete Superstructures.

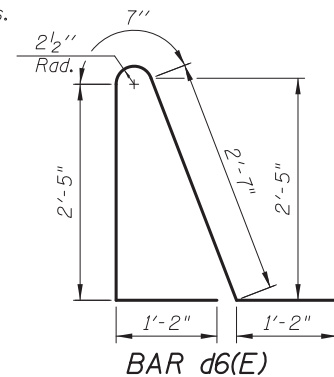


Bar a15(E), a40(E) THRU a42(E)

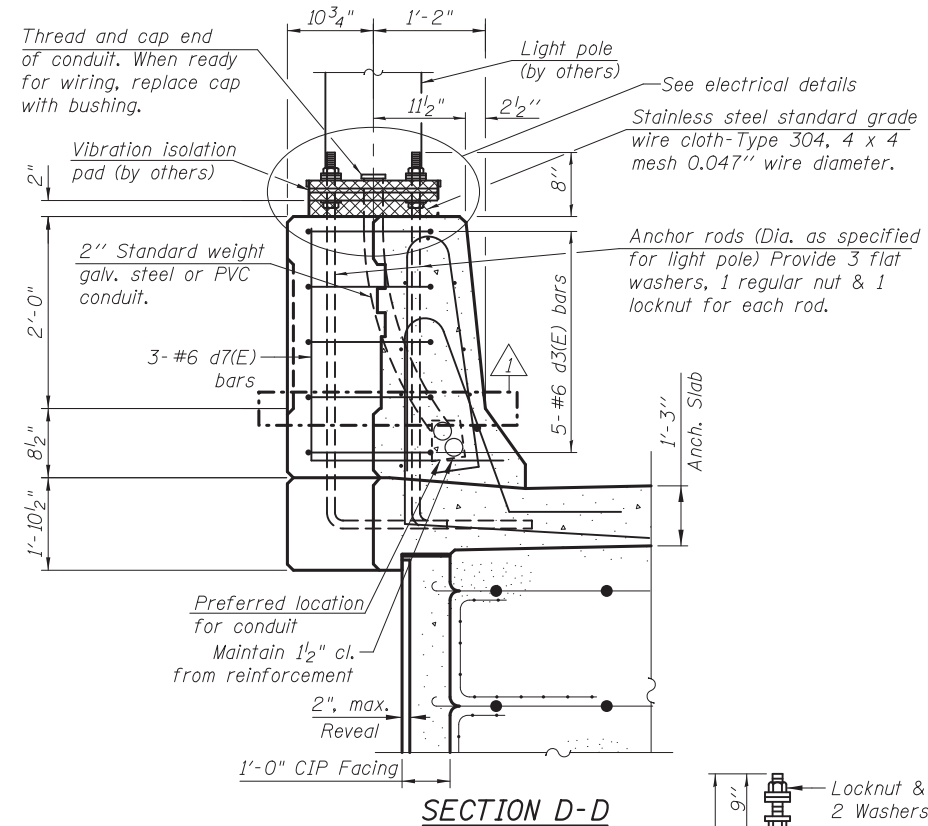
Bar	A
a15(E)	11'-5"
a40(E)	11'-9"
a41(E)	12'-1"
a42(E)	12'-4"



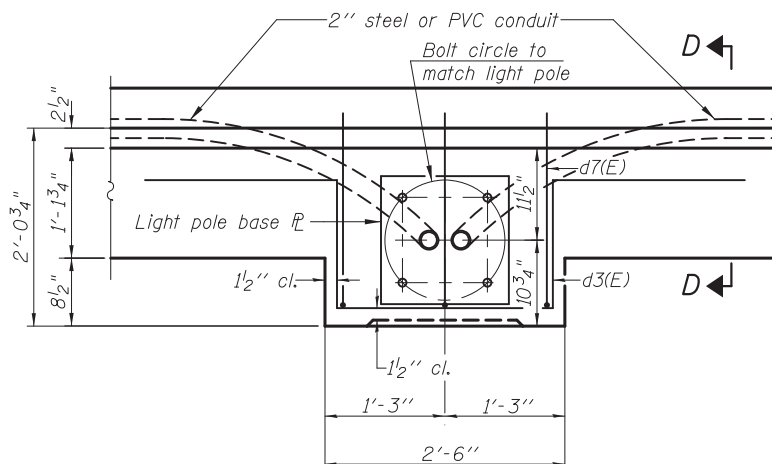
BAR d(E)



BAR d6(E)

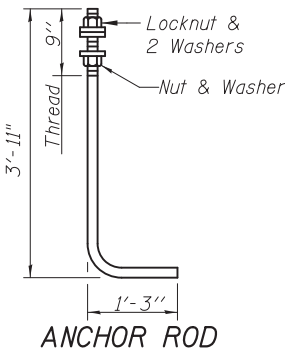


SECTION D-D



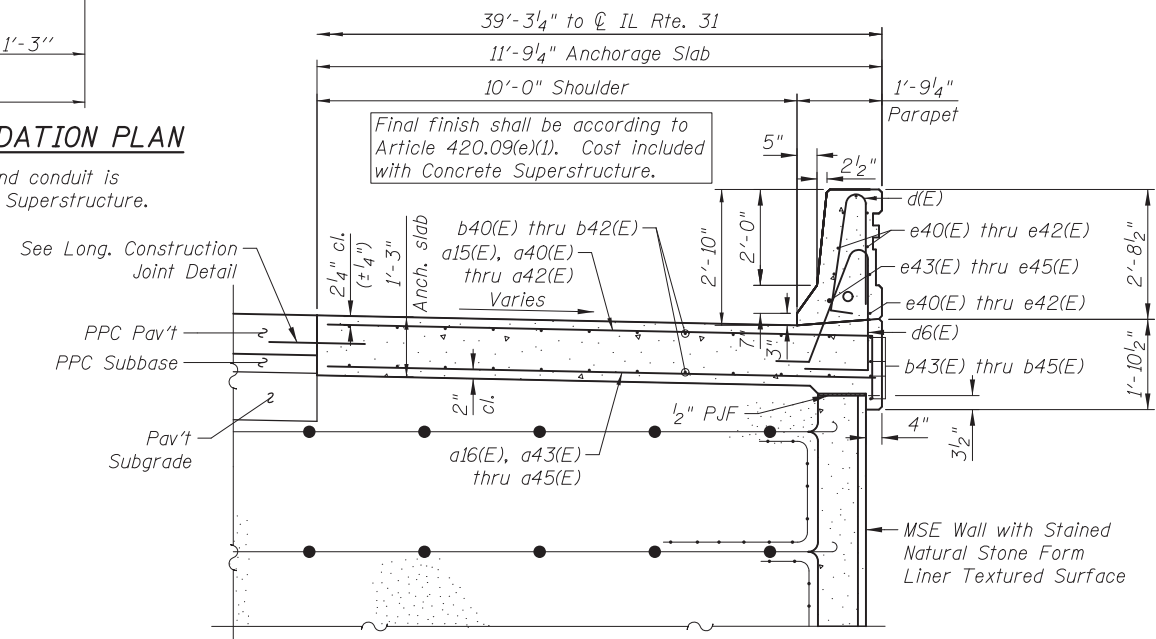
LIGHT POLE FOUNDATION PLAN

Cost of anchor rods and conduit is included with Concrete Superstructure.



ANCHOR ROD

Diameter as specified for light poles. (ASTM F 1554 Grade 105)



SECTION A-A

**ANCHORAGE SLABS
BILL OF MATERIAL**

Bar	No.	Size	Length	Shape
a15(E)	98	#6	12'-9"	U
a16(E)	98	#5	11'-5"	U
a40(E)	6	#6	13'-1"	U
a41(E)	3	#6	13'-5"	U
a42(E)	1	#6	13'-8"	U
a43(E)	6	#5	11'-9"	U
a44(E)	3	#5	12'-1"	U
a45(E)	1	#5	12'-4"	U
b40(E)	48	#5	14'-4"	U
b41(E)	48	#5	19'-10"	U
b42(E)	48	#5	18'-6"	U
b43(E)	4	#5	25'-4"	U
b44(E)	4	#5	32'-6"	U
b45(E)	4	#5	33'-9"	U
d(E)	103	#5	5'-7"	L
d3(E)	5	#6	8'-11"	L
d6(E)	103	#5	7'-11"	L
d7(E)	3	#6	5'-7"	L
e40(E)	16	#4	12'-6"	U
e41(E)	16	#4	16'-1"	U
e42(E)	16	#4	16'-9"	U
e43(E)	2	#8	12'-6"	U
e44(E)	2	#8	16'-1"	U
e45(E)	2	#8	16'-9"	U
Item	Unit	Quantity		
Concrete Superstructure	Cu. Yds.	65.9		
Protective Coat	Sq. Yd.	143		
Reinforcement Bars, Epoxy Coated	Pound	8,650		
Form Liner Textured Surface	Sq. Ft.	131		

Bars indicated thus 8x2 - #5 etc. indicates 8 lines of bars with 2 length per line

Notes:
See Structural Standards sheet SB11 for Parapet Form Liner details.
See sheet SB25 for MSE Wall Details.