

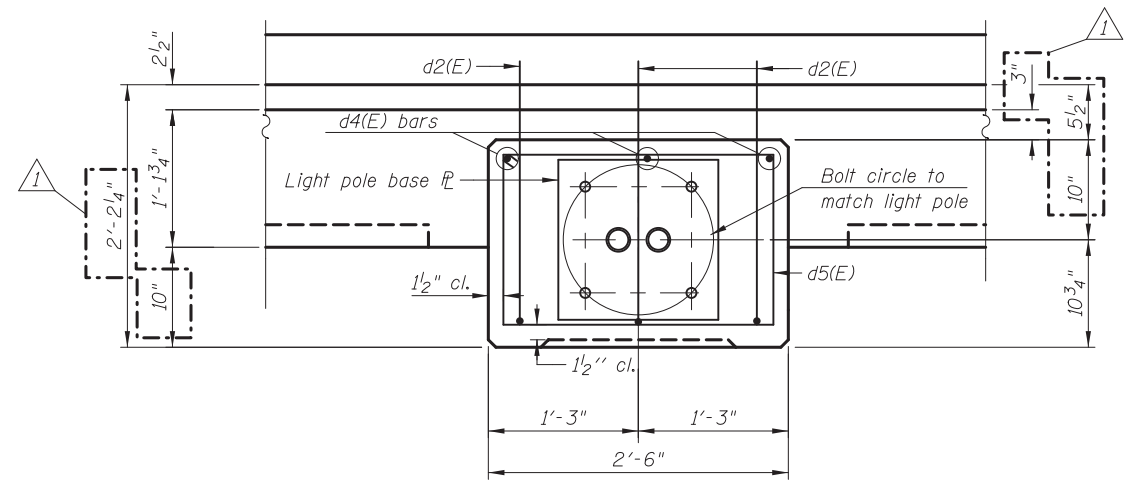
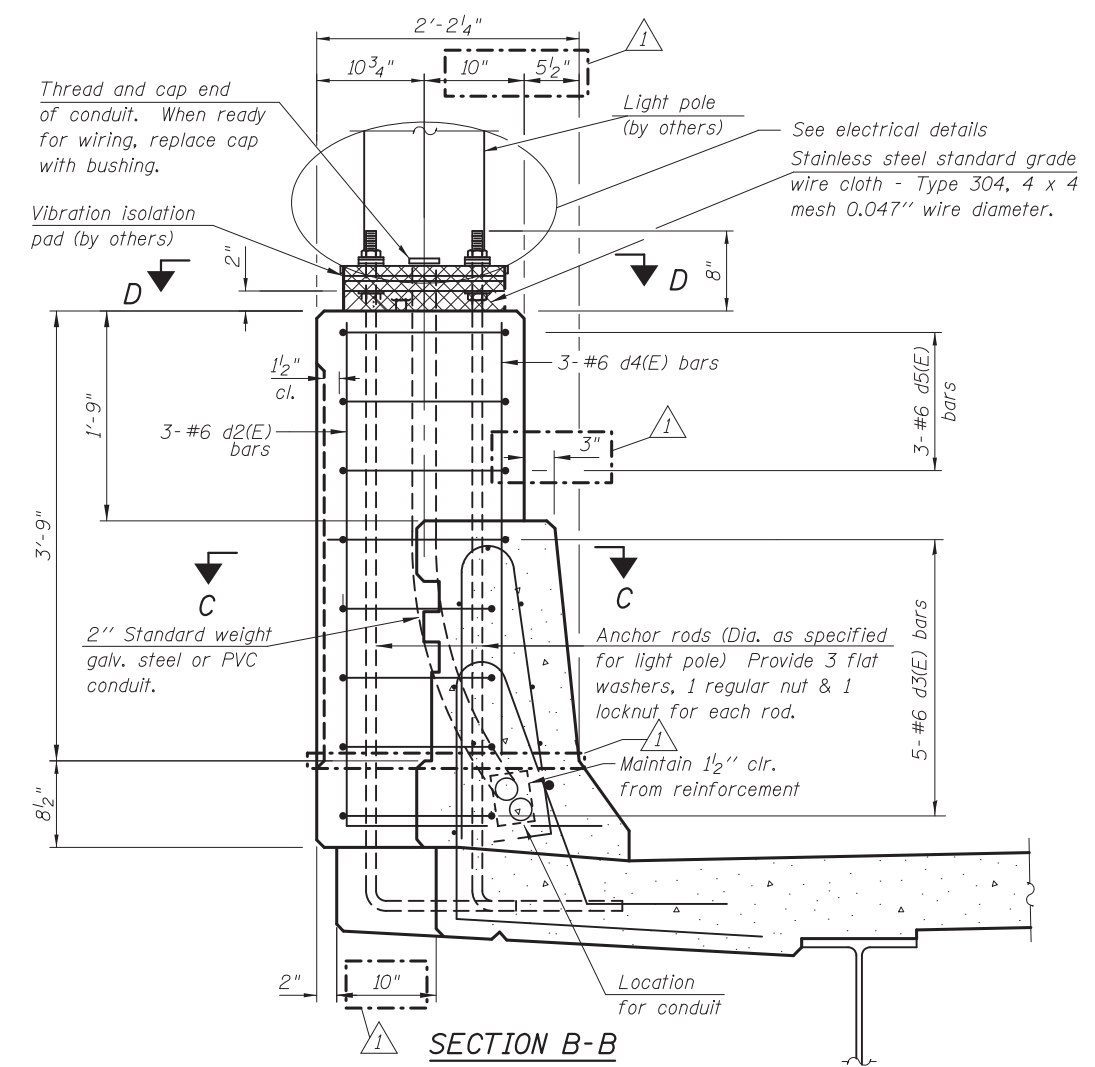
**SUPERSTRUCTURE  
BILL OF MATERIAL**

Bar	No.	Size	Length	Shape
a8(E)	8	#5	2'-0"	—
a50(E)	473	#5	15'-0"	—
a51(E)	473	#5	25'-7"	—
a52(E)	5	#5	33'-7"	—
a53(E)	5	#5	37'-4"	—
a54(E)	18	#5	8'-8"	—
a55(E)	3	#5	5'-4"	—
a56(E)	3	#5	9'-1"	—
a57(E)	584	#6	6'-6"	—
b50(E)	195	#5	29'-5"	—
b51(E)	204	#5	25'-0"	—
d(E)	294	#5	5'-7"	—
d1(E)	294	#5	7'-11"	—
d2(E)	9	#6	6'-2"	L
d3(E)	15	#6	8'-11"	—
d4(E)	9	#6	3'-5"	—
d5(E)	9	#6	8'-8"	—
e50(E)	98	#4	18'-10"	—
e51(E)	10	#8	30'-11"	—
e52(E)	10	#4	28'-5"	—
x(E)	53	#5	6'-5"	—

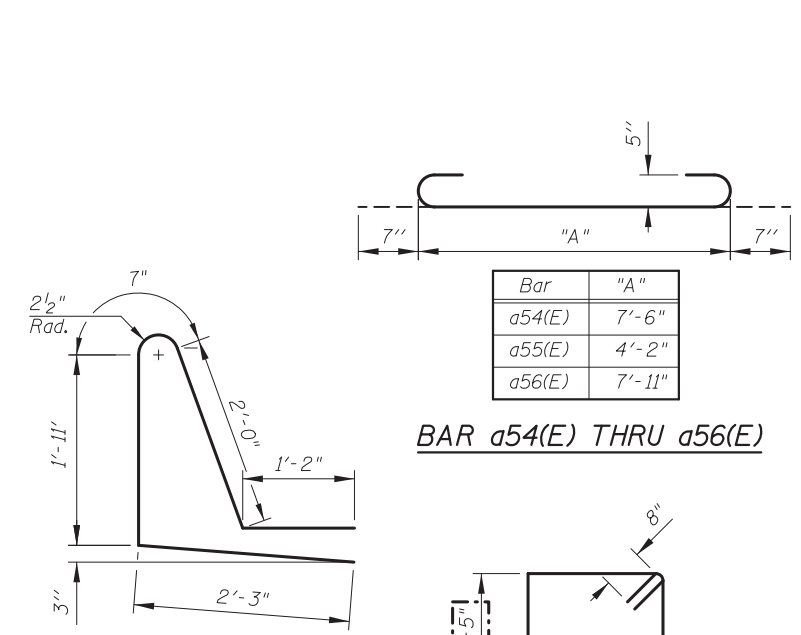
  

Item	Unit	Quantity
Concrete Superstructures	Cu. Yds.	164.5
Bridge Deck Grooving	Sq. Yds.	485
Protective Coat	Sq. Yds.	613
Reinforcement Bars, Epoxy Coated	Pound	44,810
Form Liner Textured Surface, Special	Sq. Ft.	366

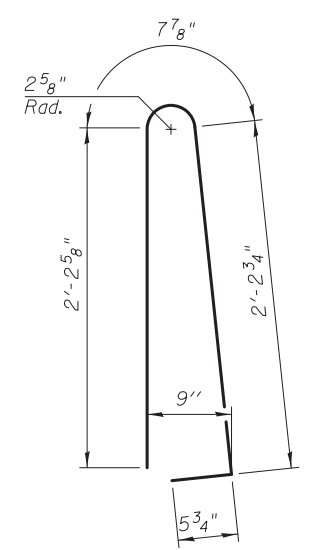
Bars indicated thus 1 x 3-#8 etc. indicates 1 line of bars with 3 lengths per line.



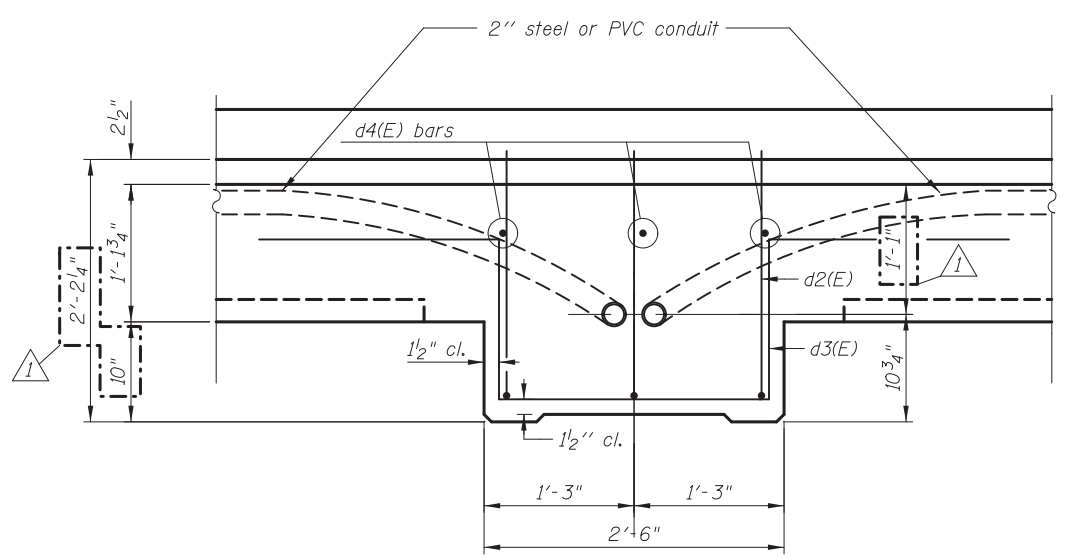
**VIEW D-D  
LIGHT POLE FOUNDATION PLAN**



**BAR a54(E) THRU a56(E)**

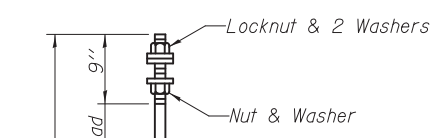
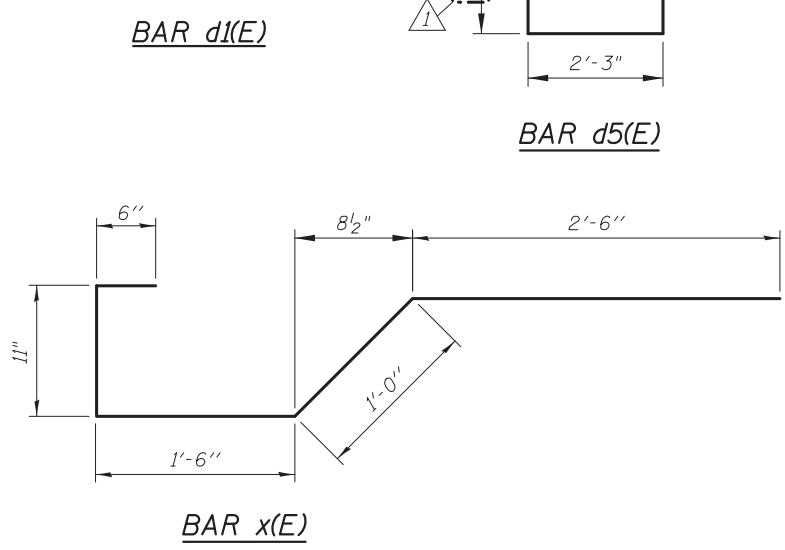


**BAR d(E)**



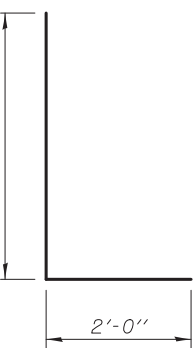
**SECTION C-C**

Note:  
Cost of anchor rods and conduit is included with Concrete Superstructure. See sheet SC8 for Section A-A.

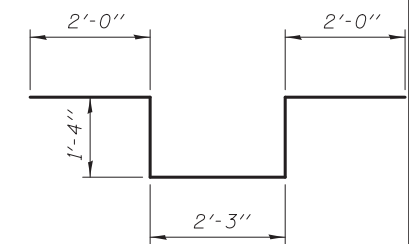


**ANCHOR ROD**

Diameter as specified for light poles. (ASTM F 1554 Grade 105)



**BAR d2(E)**



**BAR d3(E)**

5/21/2012 11:24:57 AM I:\2154\cad\sheet\Roadway\20-Structures & Walls\04-SN\_056-0079\0560079-60FT2-09-SSD\_r\_rev2.dgn