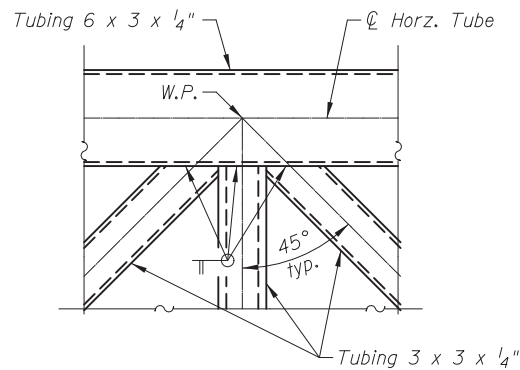
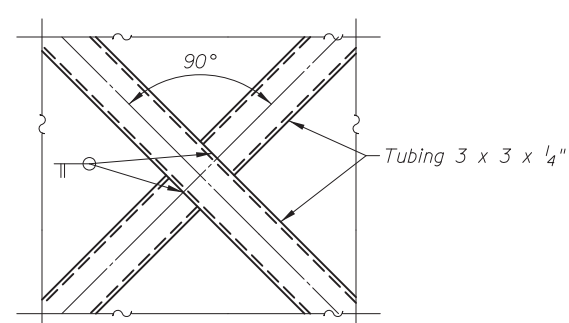


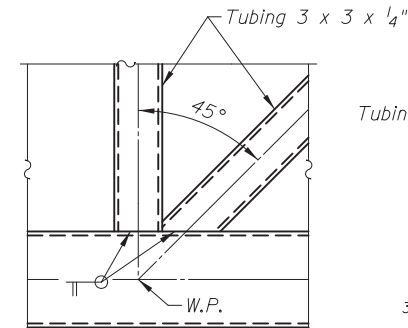
**HORIZONTAL BAR SPLICE**



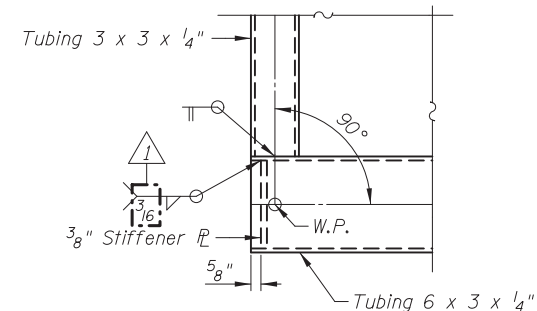
**DETAIL "B"**



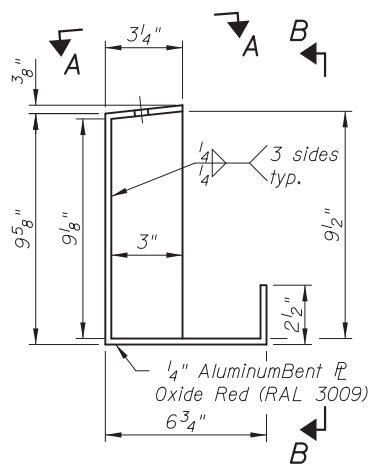
**DETAIL "C"**  
(Aluminum Disk not shown)



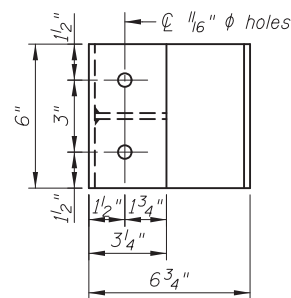
**DETAIL "D"**



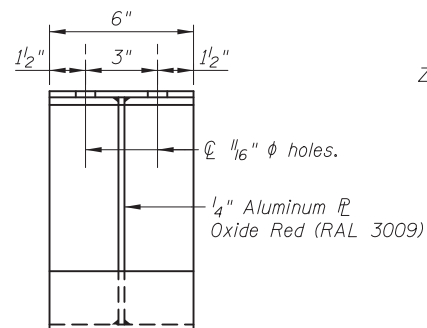
**DETAIL "E"**



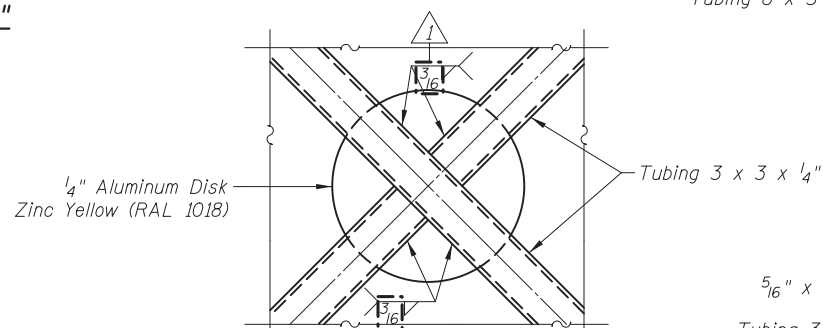
**HANGER DETAIL**



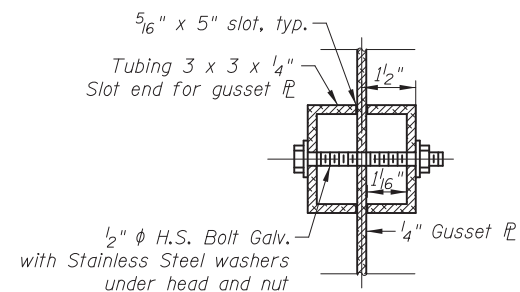
**SECTION A-A**



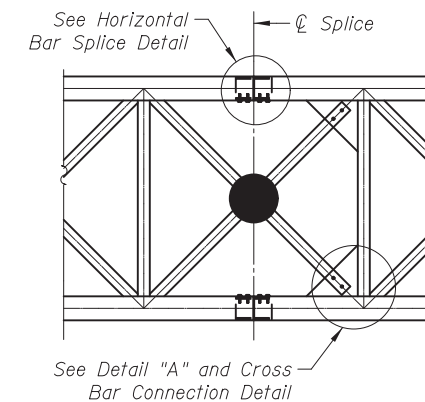
**SECTION B-B**



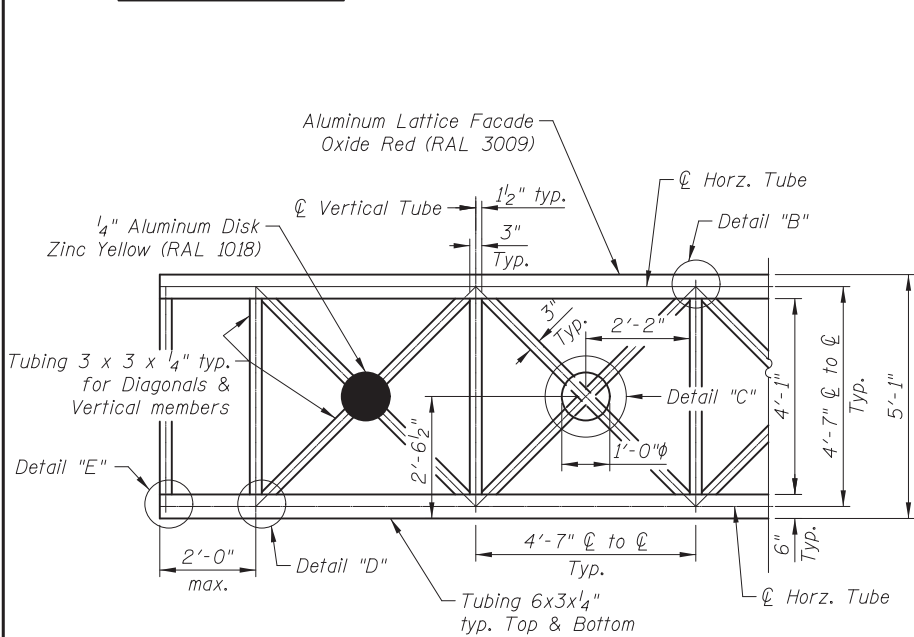
**DETAIL "C"**



**CROSS BAR CONNECTION**



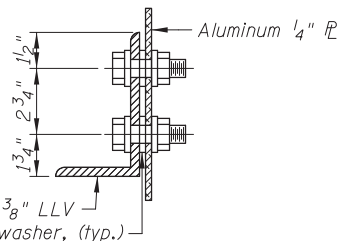
**LATTICE SPLICE**



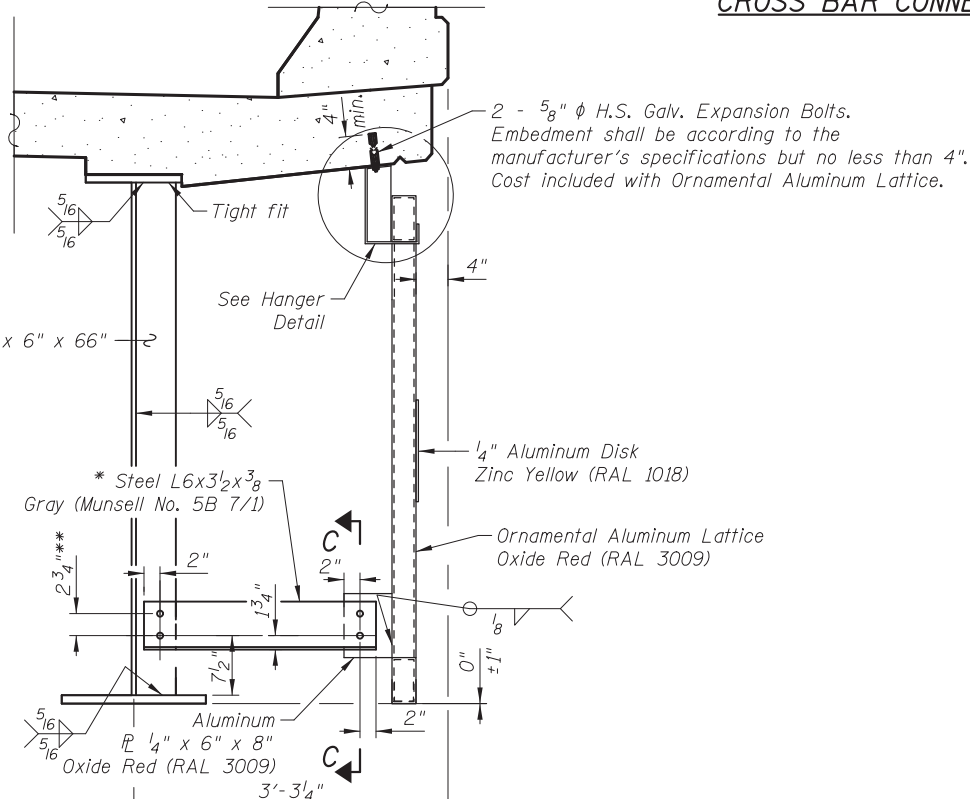
**ALUMINUM LATTICE ELEVATION**

Notes:  
Hangers and aluminum plates to be included in the cost of Ornamental Aluminum Lattice.  
All aluminum welds shall be Filler Alloy 5356 with a min. allowable stress of 7 ksi.  
See sheet SA12 for Elevation View of the Exterior Fascia of the beams.  
W.P. indicates work point.

\* Coordinate locations of Connection Plate with Steel Fabricator. Cost included with Furnishing and Erecting Structural Steel

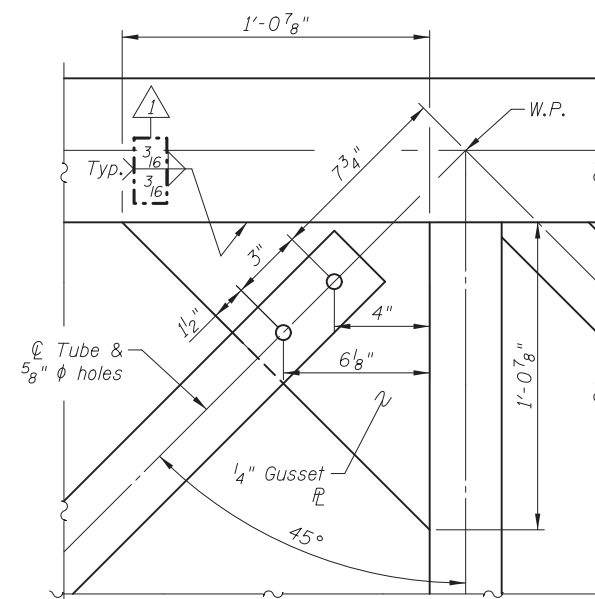


**SECTION C-C**



**TYPICAL ALUMINUM LATTICE LATERAL BRACING**

\*\* 3/4 inch bolts AASHTO M164 Type 1 with 15/16 inch diameter Holes



**DETAIL "A"**

**BILL OF MATERIAL**

ITEM	UNIT	QUANTITY
Ornamental Aluminum Lattice	Foot	263

5/24/2012 9:304 AM I:\2164\cad\sheet\Roadway\20-Structures & Walls\04-SN 056-0079\0560079-60F72-10-0AL\_rev2.dgn