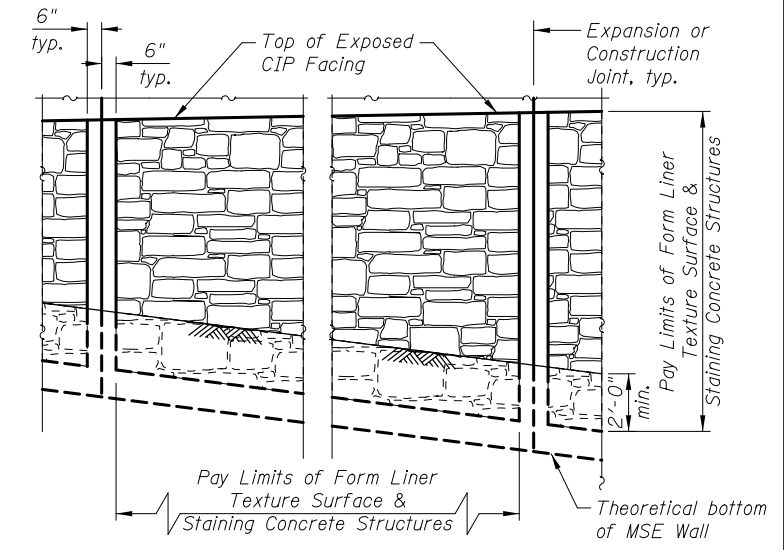
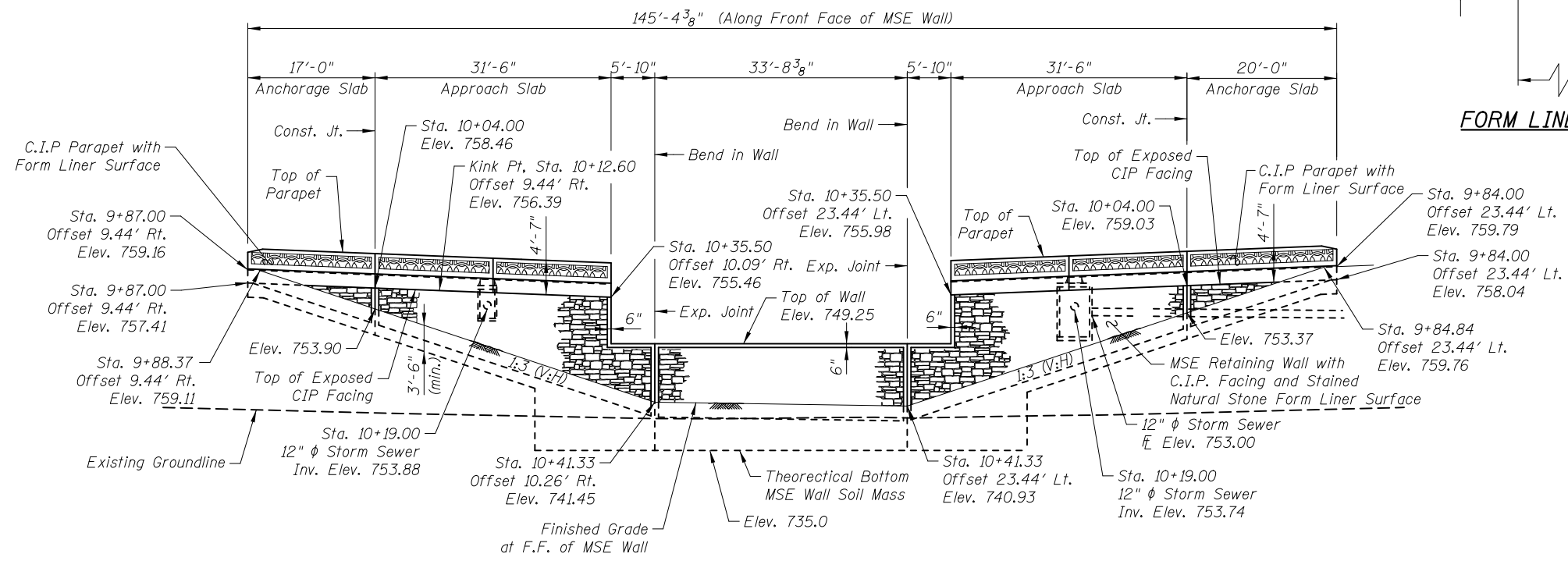


NORTH ABUTMENT WALL
Unfolded Elevation



FORM LINER TEXTURE SURFACE DETAIL



SOUTH ABUTMENT WALL
Unfolded Elevation

Notes:
See sheet SC1 for Plan view.
See sheet SC11 for Parapet formliner details.
Offsets are measured from \square Ramp B to the Front Face of MSE Wall.

5/2/2012 4:20:31 PM J:\2154\cad\sheet\Roadway\20-Structures & Walls\04-SN_056-0079\0560079-60F72-23-MW_rev.dgn

CIVILTECH
450 E Devon Ave, Suite 300
Itasca, Illinois 60143
Tel: 630.773.3900 Fax: 630.773.3975
www.civiltechinc.com

DRAWN	- M. LANGE	REVISED	-
DESIGNED	- D. ATKINS	REVISED	-
CHECKED	- G. HATLESTAD	REVISED	-
DATE	- 5/3/2012	REVISED	-

STATE OF ILLINOIS
DEPARTMENT OF TRANSPORTATION

MSE WALLS
NB EXIT RAMP (RAMP B) OVER CRYSTAL CREEK
STRUCTURE NO. 056-0079
SHEET NO. SC23 OF SC29 SHEETS

O.R. RTE.	SECTION	COUNTY	TOTAL SHEETS	SHEET NO.
0003	18A-2	MCHENRY	825	548
CONTRACT NO. 60F72				
ILLINOIS FED. AID PROJECT				