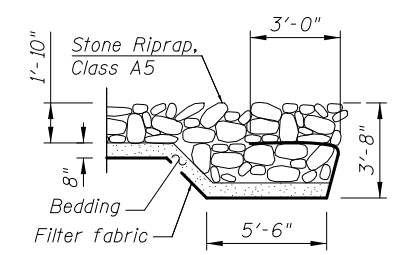
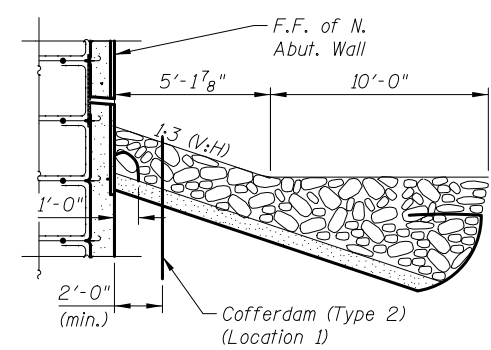


PLAN

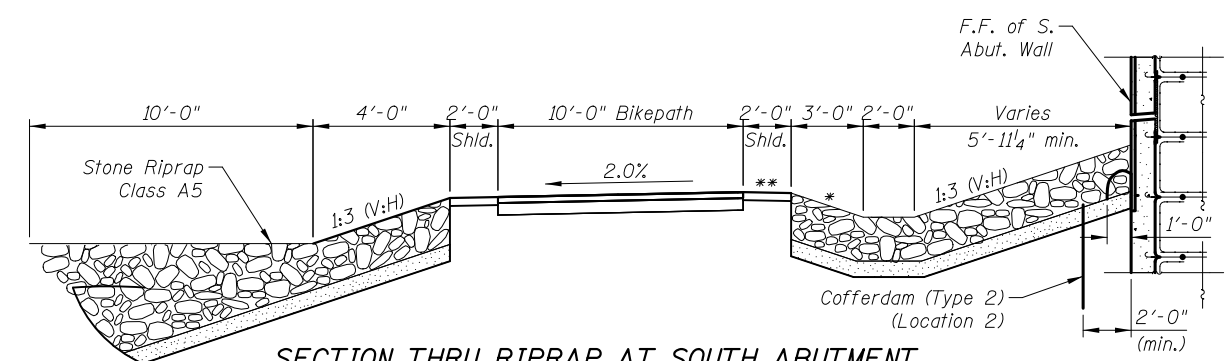


SECTION B-B



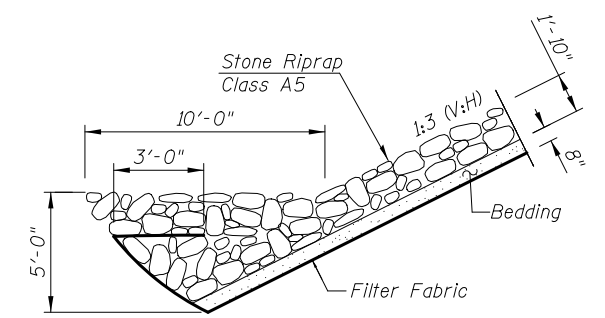
SECTION THRU RIPRAP AT NORTH ABUTMENT

Dimensions and slopes measured at Rt. L's to Abutment
See Section A-A for balance of information



SECTION THRU RIPRAP AT SOUTH ABUTMENT

Dimensions and slopes measured at Rt. L's to the Bikepath
See Section A-A for balance of information



SECTION A-A

Bedding to be included in the cost of Stone Riprap, Class A5

BILL OF MATERIAL

Item	Unit	Total
Stone Riprap, Class A5	Sq. Yd.	340
Filter Fabric	Sq. Yd.	340
Cofferdam Excavation	Cu. Yd.	766
Cofferdam (Type 2) (Location 1)	Each	1
Cofferdam (Type 2) (Location 2)	Each	1

* 1:3 (V:H)
** 2.00%

Note:
Layout of the slope protection system may be varied to suit ground conditions in the field as directed by the Engineer.

4/2/18 PM
 5/2/2012
 I:\2154\cad\sheet\Roadway\20-Structures & Walls\05-SN_056-0080\0560080-60F72-03-RRD.dgn

CIVILTECH
 450 E Devon Ave, Suite 300
 Itasca, Illinois 60143
 Tel: 630.773.3900 Fax: 630.773.3975
 www.civiltechinc.com

DRAWN	- M. LANGE	REVISED	-
DESIGNED	- D. ATKINS	REVISED	-
CHECKED	- G. HATLESTAD	REVISED	-
DATE	- 5/3/2012	REVISED	-

STATE OF ILLINOIS
DEPARTMENT OF TRANSPORTATION

RIPRAP DETAILS
SB ENTR. RAMP (RAMP C) OVER CRYSTAL CREEK
STRUCTURE NO. 056-0080

SHEET NO. SD3 OF SD30 SHEETS

O.R. RTE.	SECTION	COUNTY	TOTAL SHEETS	SHEET NO.
0003	18A-2	MCHENRY	825	557
CONTRACT NO. 60F72				
ILLINOIS FED. AID PROJECT				