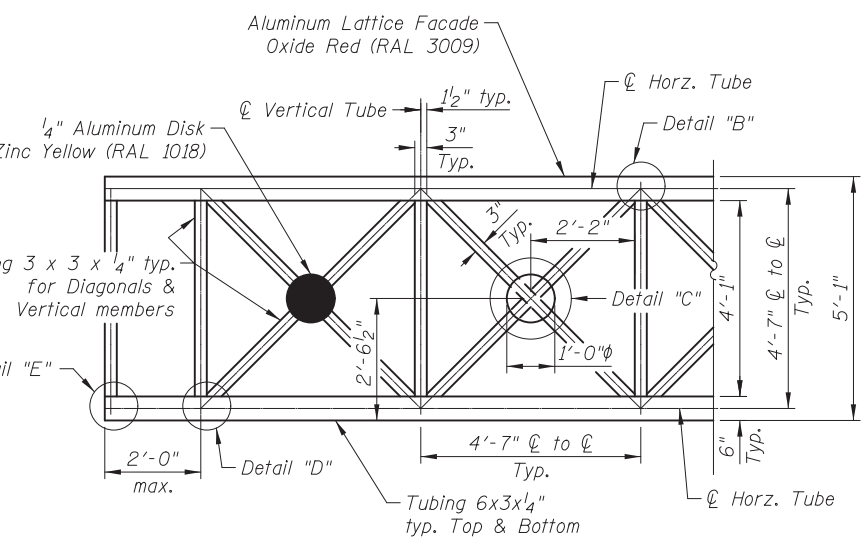
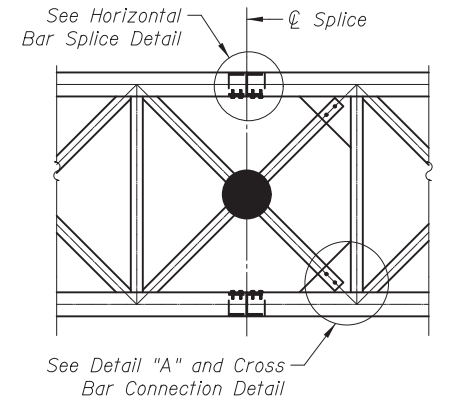
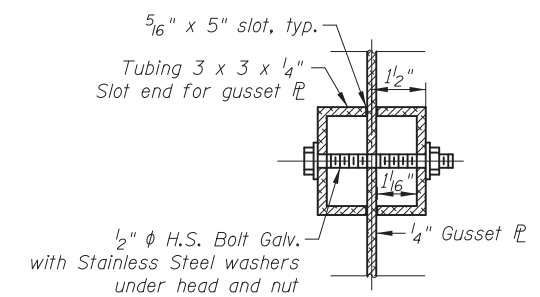
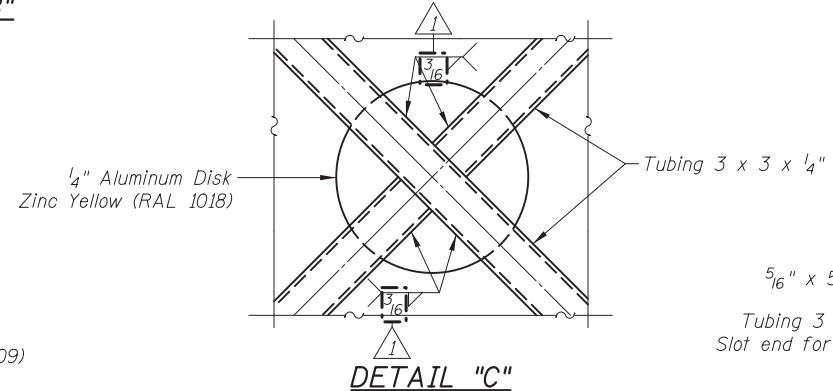
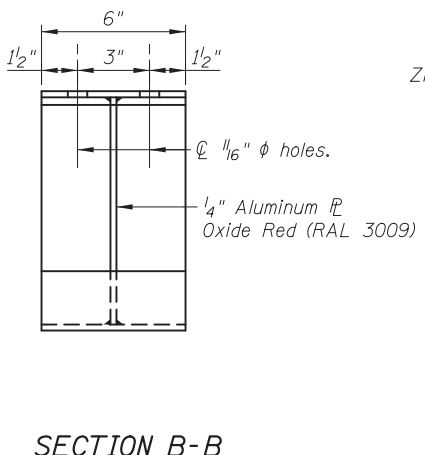
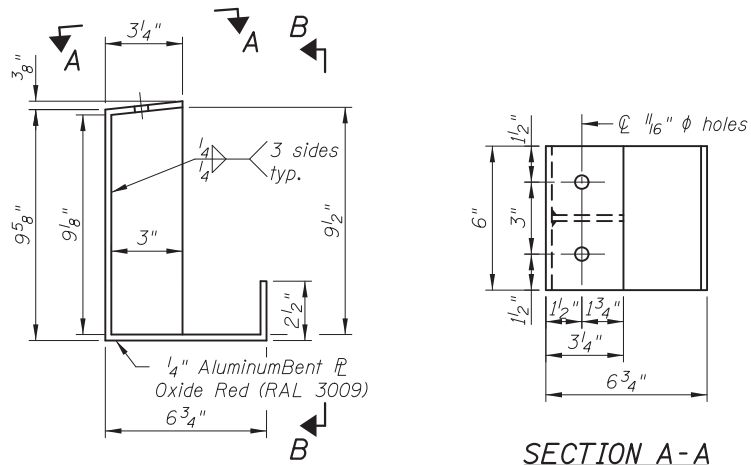
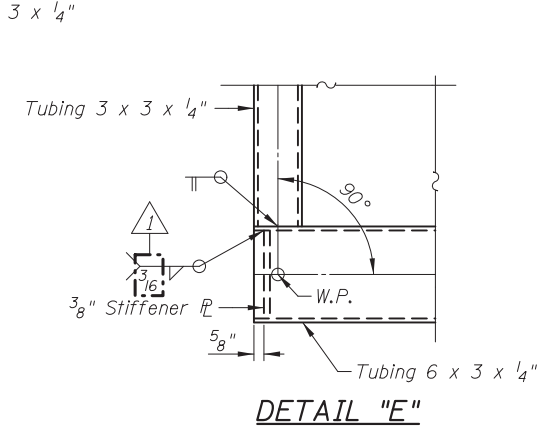
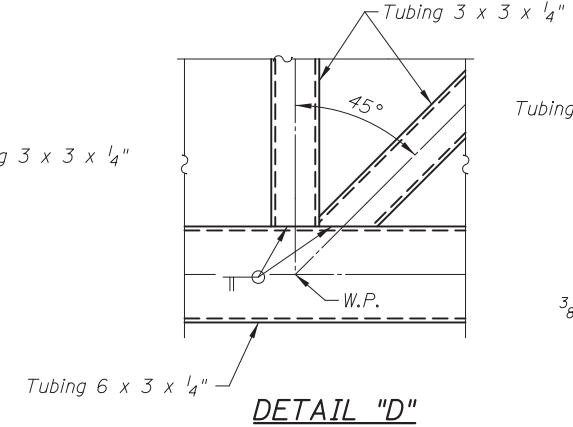
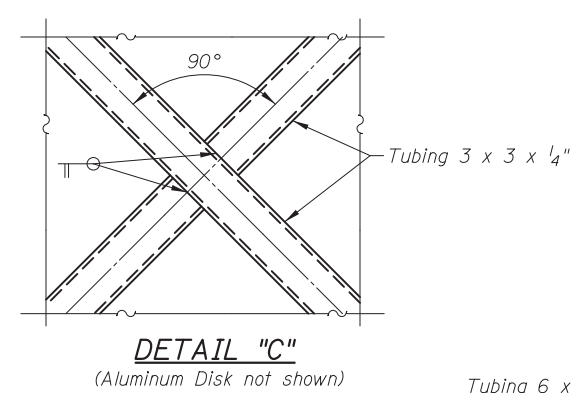
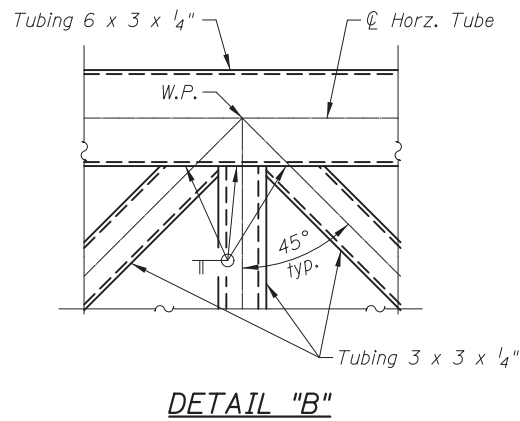
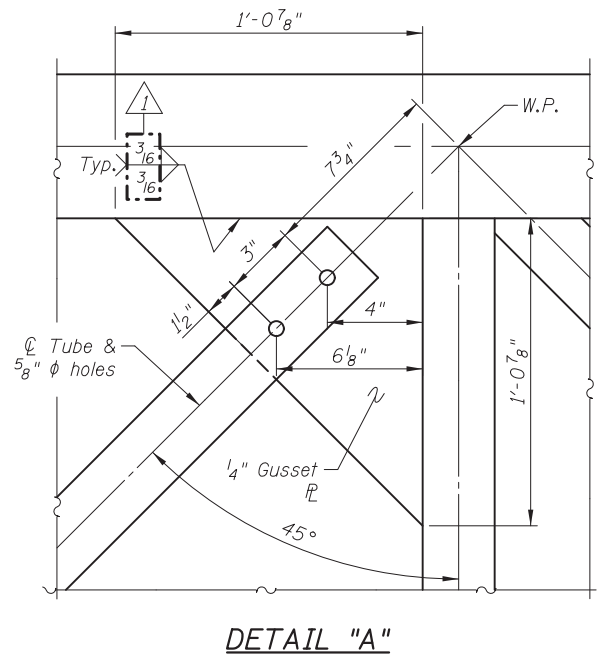
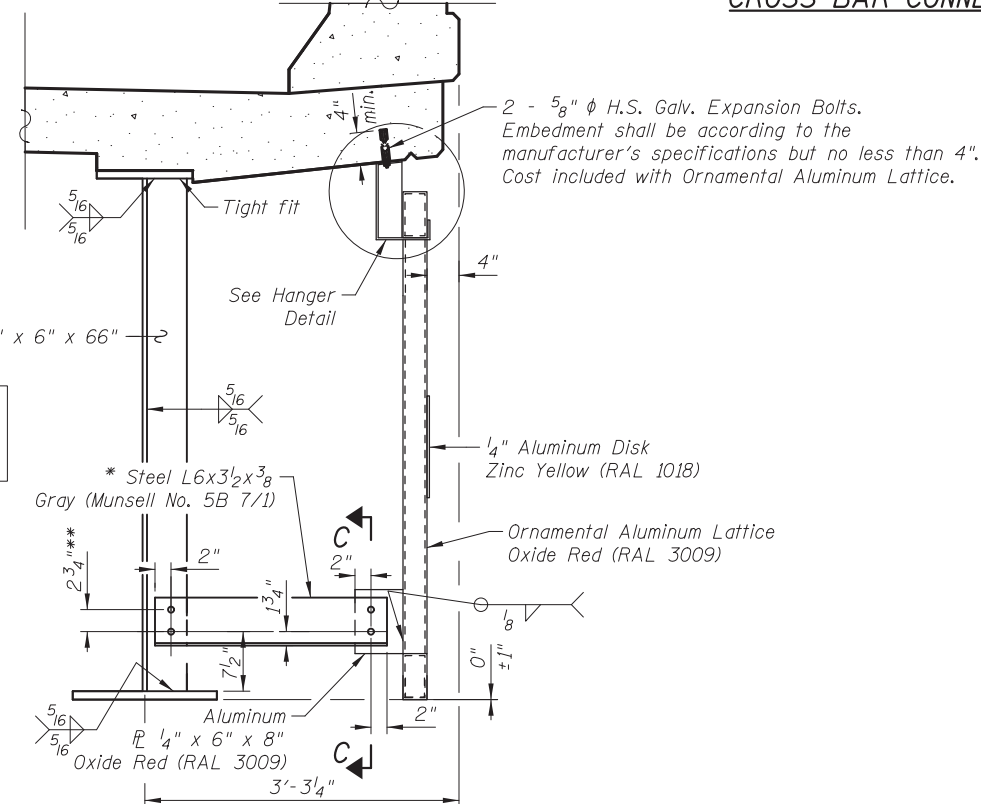
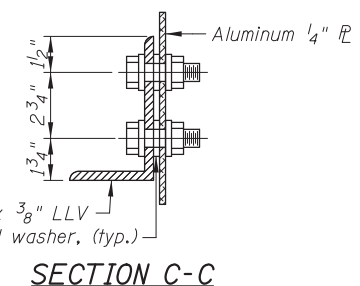


HORIZONTAL BAR SPLICE



* Coordinate locations of Connection Plate with Steel Fabricator. Cost included with Furnishing and Erecting Structural Steel



Notes:
 Hangers and aluminum plates to be included in the cost of Ornamental Aluminum Lattice.
 All aluminum welds shall be Filler Alloy 5356 with a min. allowable stress of 7 ksi.
 See sheet SA12 for Elevation View of the Exterior Fascia of the beams.
 W.P. indicates work point.

BILL OF MATERIAL

ITEM	UNIT	QUANTITY
Ornamental Aluminum Lattice	Foot	284

450 E Devon Ave, Suite 300
 Itasca, Illinois 60143
 Tel: 630.773.3900 Fax: 630.773.3975
 www.civiltechinc.com

DRAWN	- M. LANGE	REVISED	- 5/23/2012 D.L.A.
DESIGNED	- D. ATKINS	REVISED	-
CHECKED	- G. HATLESTAD	REVISED	-
DATE	- 5/3/2012	REVISED	-

STATE OF ILLINOIS
 DEPARTMENT OF TRANSPORTATION

ORNAMENTAL ALUMINUM LATTICE
 SB ENTR. RAMP (RAMP C) OVER CRYSTAL CREEK
 STRUCTURE NO. 056-0080

SHEET NO. SD10 OF SD30 SHEETS

O.R. RTÉ.	SECTION	COUNTY	TOTAL SHEETS	SHEET NO.
0003	18A-2	MCHENRY	825	564

CONTRACT NO. 60F72
 ILLINOIS FED. AID PROJECT

5/24/2012 9:305 AM I:\2164\cad\sheet\Roadway\20-Structures & Walls\05-SN_056-0080\0560080-60F72-10-DAL_rev2.dgn