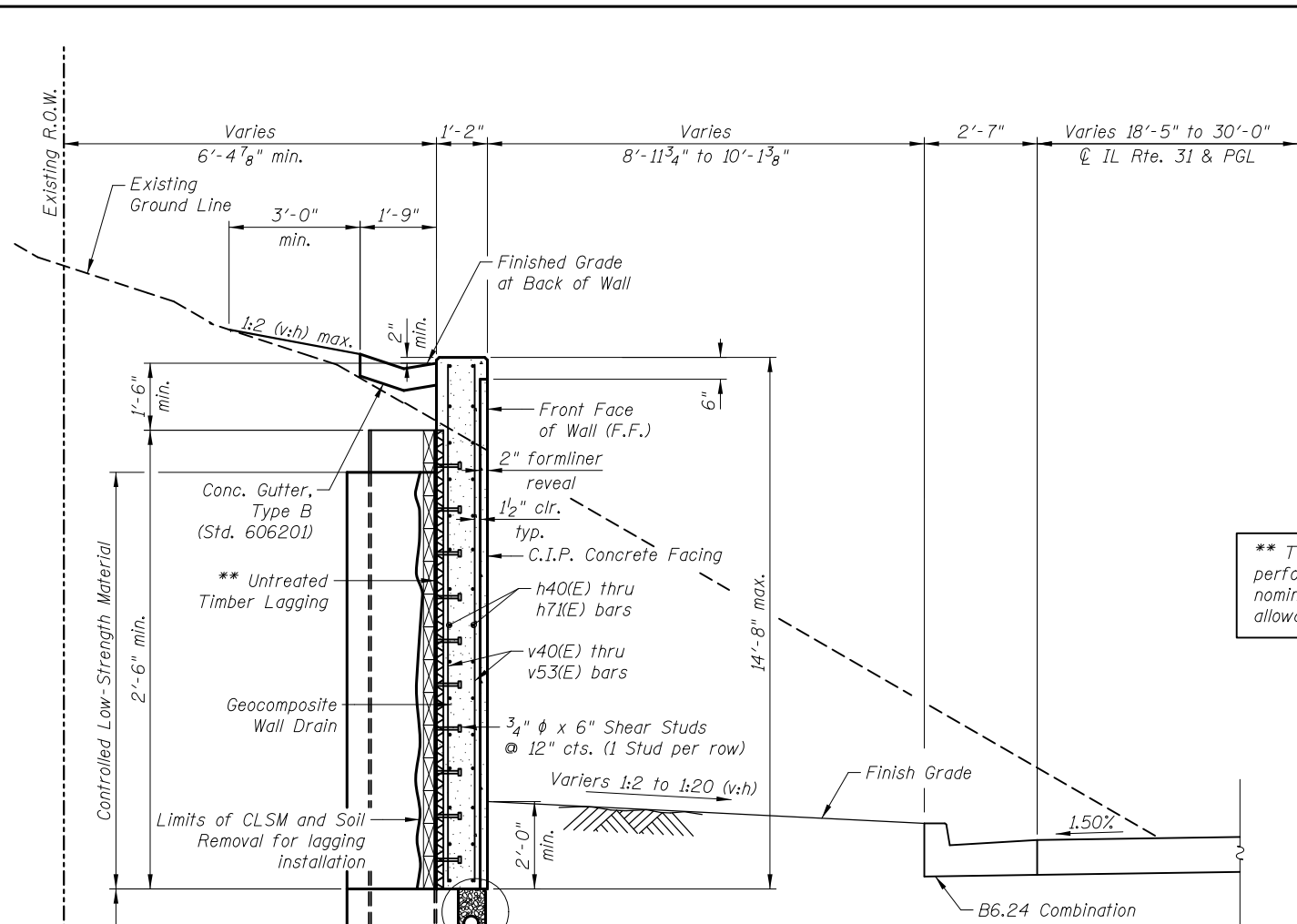
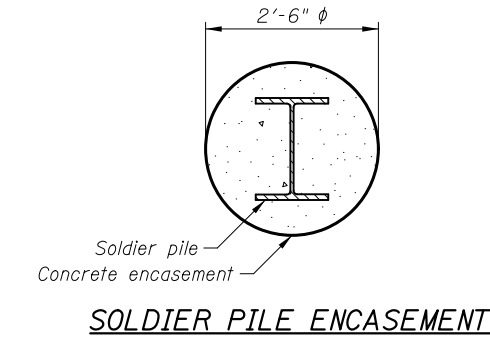


5/2/2012 4:22:20 PM I:\2154\cad\sheet\Roadway\20-Structures & Walls\06-Wall A\0562507-60F72-06-GD.dgn

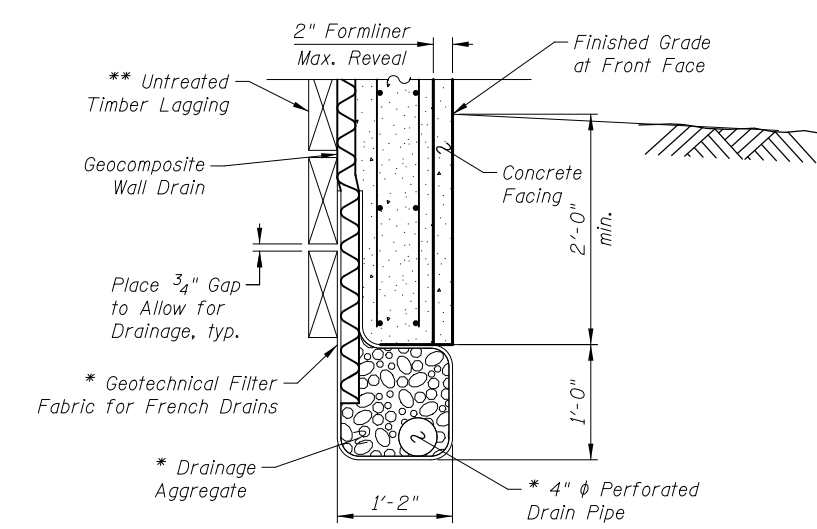


TYPICAL SECTION THRU SOLDIER PILE WALL

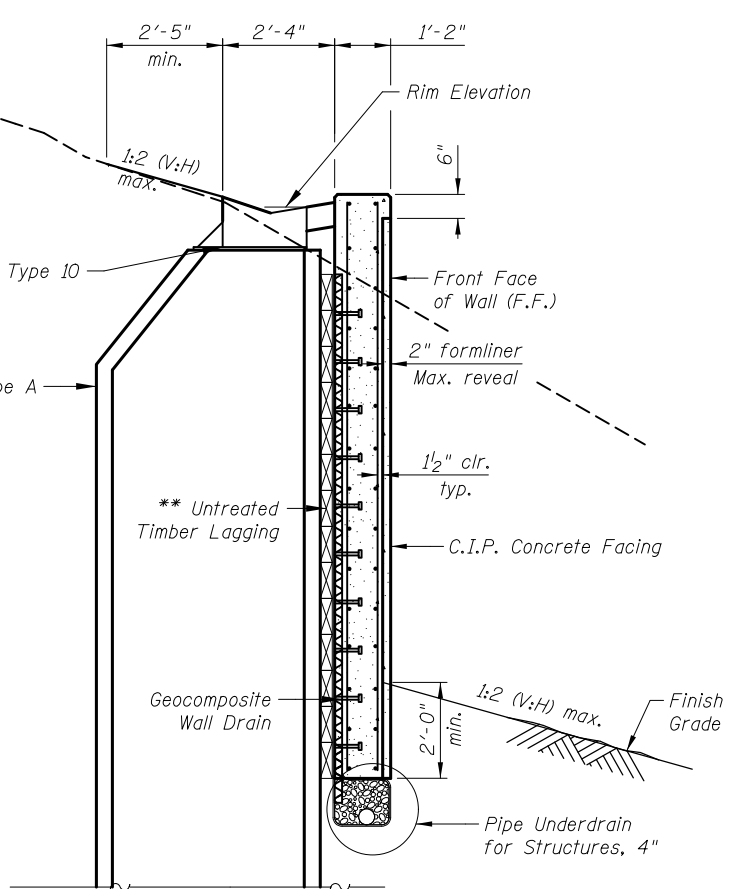


SOLDIER PILE ENCASEMENT

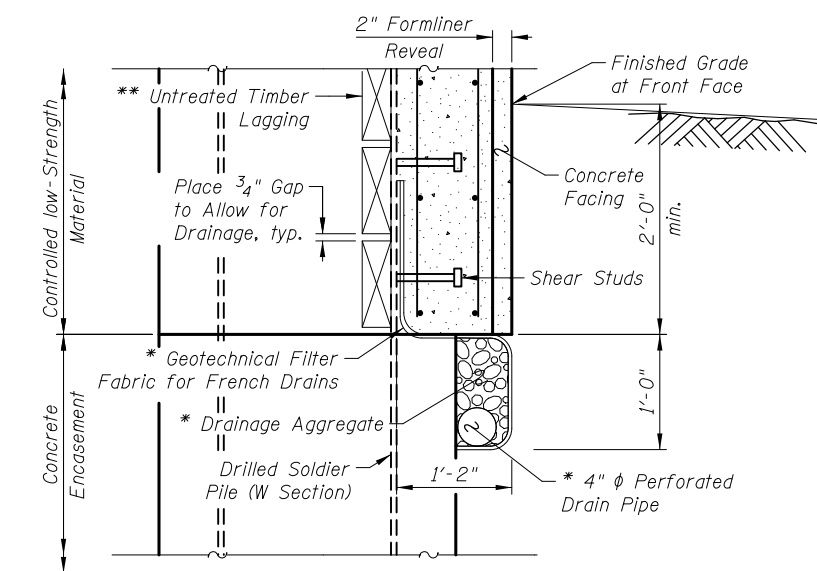
**** The Contractor is responsible for the design and performance of the lagging using no less than a 3 in. nominal rough-sawn thickness and timber with a minimum allowable bending stress of 1000 psi.**



PIPE UNDERDRAIN FOR STRUCTURES BETWEEN SOLDIER PILES



SECTION AT DRAINAGE STRUCTURE



PIPE UNDERDRAIN FOR STRUCTURES AT SOLDIER PILES

* Included in the cost of pipe Underdrains for Structures, 4"