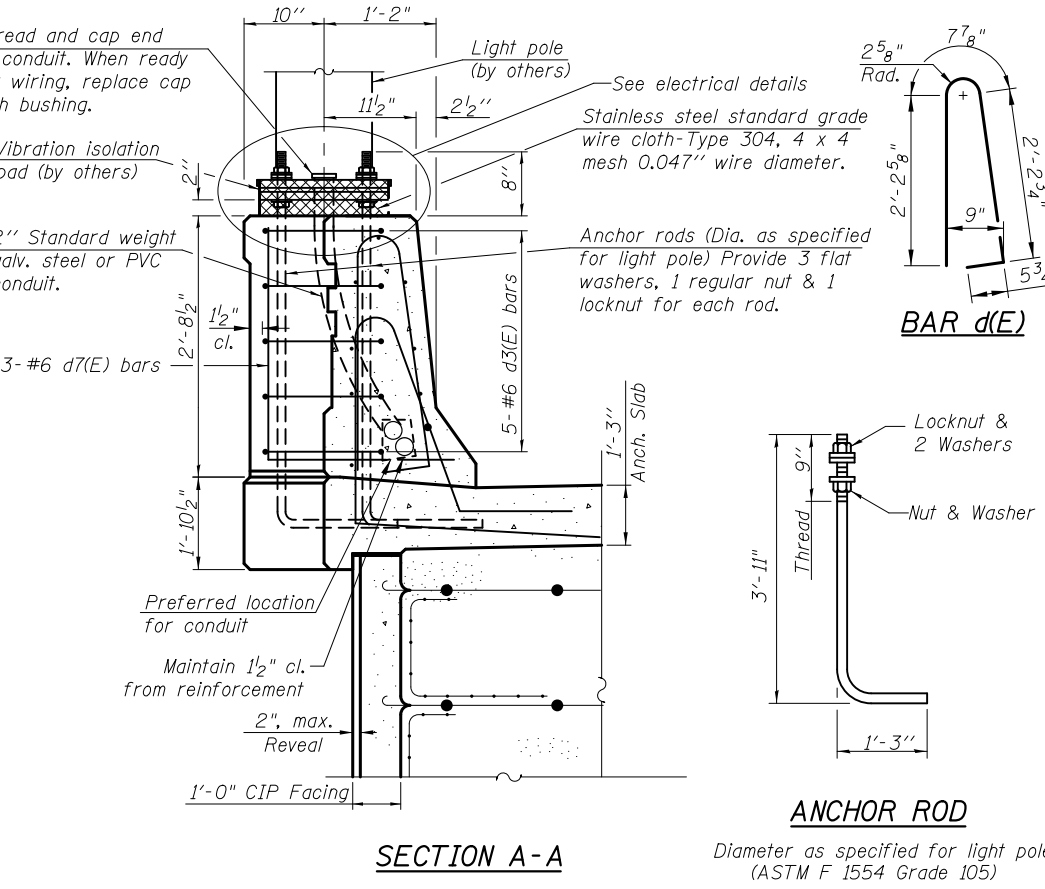
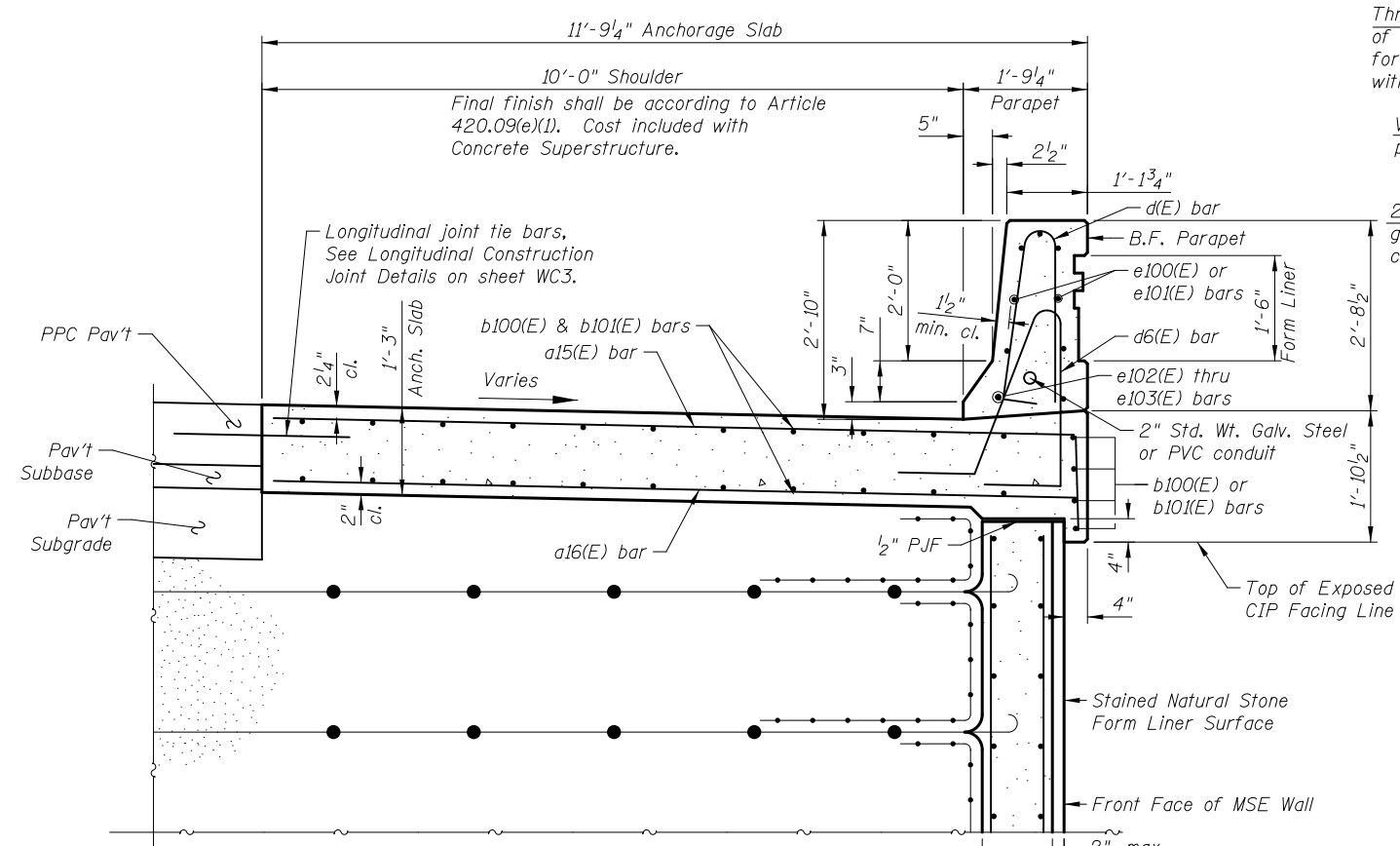
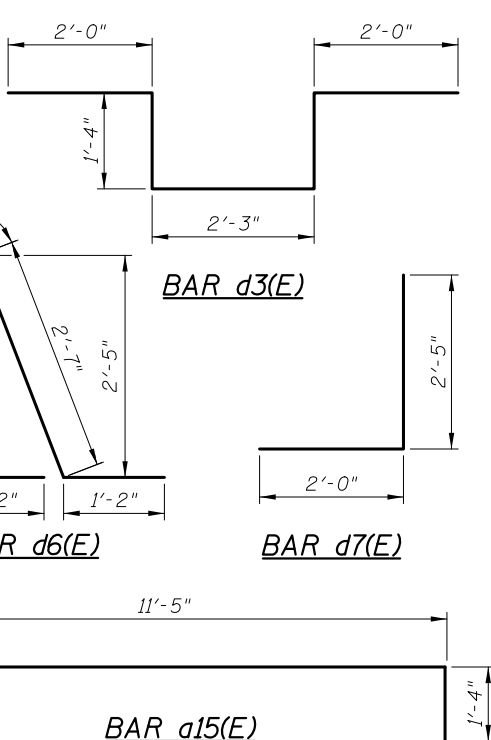
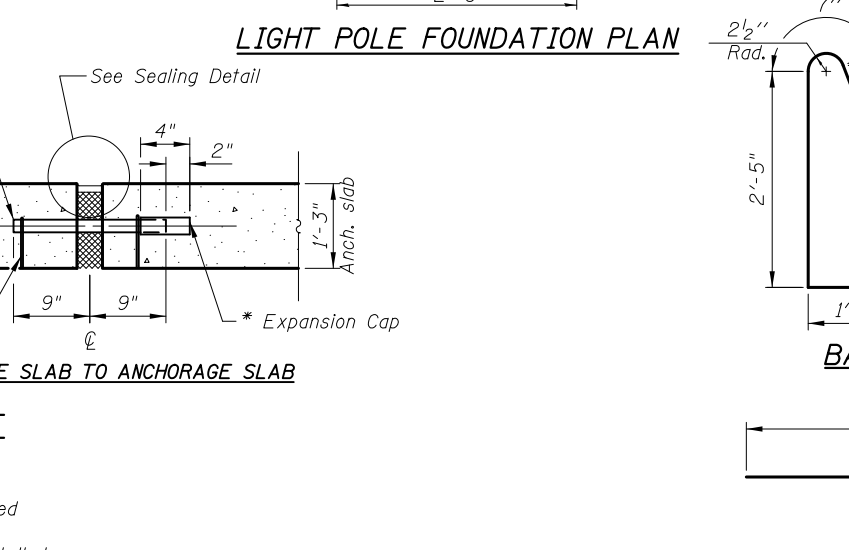
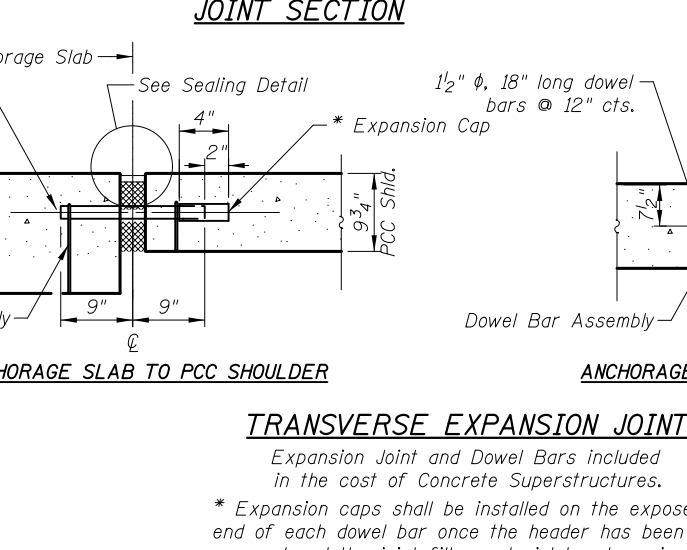
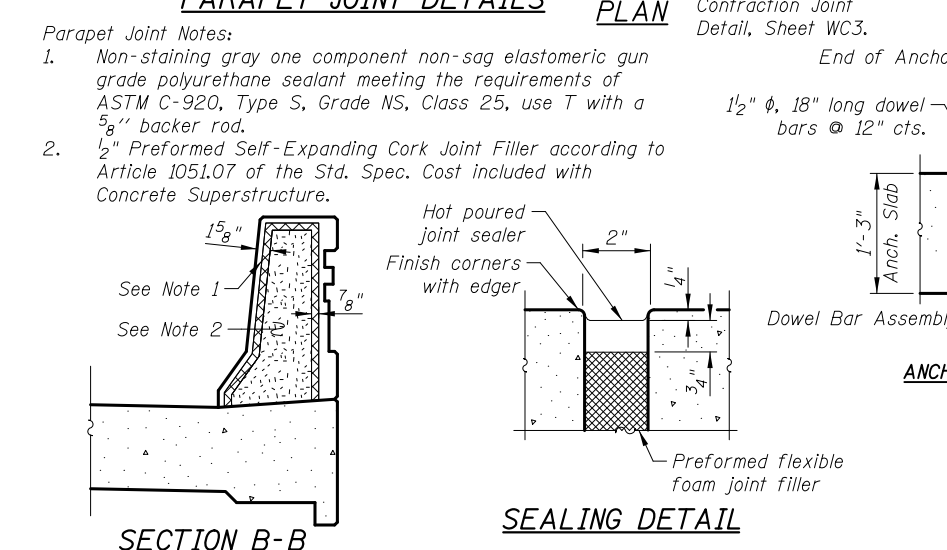
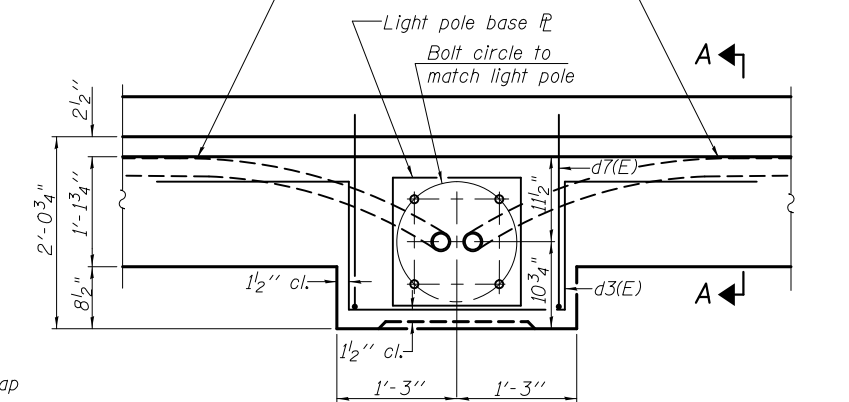
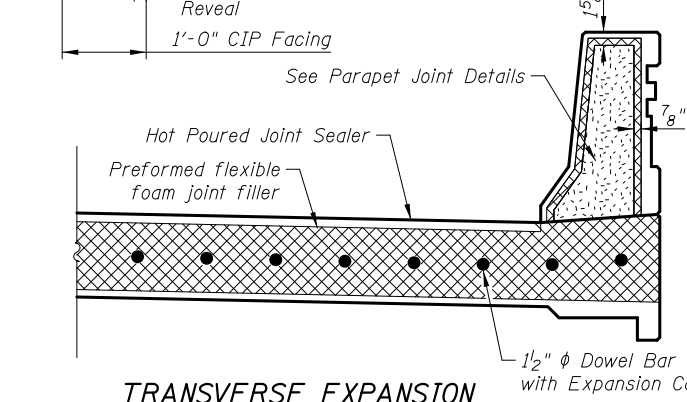
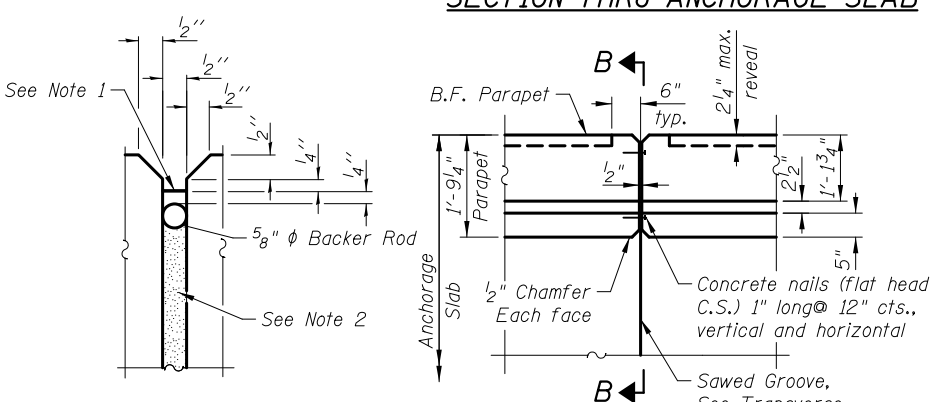


**ANCHORAGE SLABS
BILL OF MATERIAL**

Bar	No.	Size	Length	Shape
a13(E)	16	#5	3'-6"	
a15(E)	210	#6	12'-9"	
a16(E)	210	#5	11'-5"	
b100(E)	84	#5	33'-2"	
b101(E)	84	#5	35'-0"	
d(E)	210	#5	5'-7"	
d3(E)	10	#6	8'-11"	
d6(E)	210	#5	7'-11"	
d7(E)	6	#6	4'-5"	
e100(E)	48	#4	15'-0"	
e101(E)	48	#4	16'-0"	
e102(E)	6	#8	15'-0"	
e103(E)	6	#8	16'-0"	
Item	Unit	Quantity		
Concrete Superstructures	Cu. Yd.	132.6		
Protective Coat	Sq. Yd.	300		
Reinforcement Bars, Epoxy Coated	Pound	17,180		
Form Liner Textured Surface, Special	Sq. Ft.	256		



Notes:
Cost of anchor rods and conduit is included with Concrete Superstructure.
See sheet WC6 for Form Liner Textured Surface, Special details.



TRANSVERSE EXPANSION JOINT
Expansion Joint and Dowel Bars included in the cost of Concrete Superstructures.
* Expansion caps shall be installed on the exposed end of each dowel bar once the header has been removed and the joint filler material has been installed.