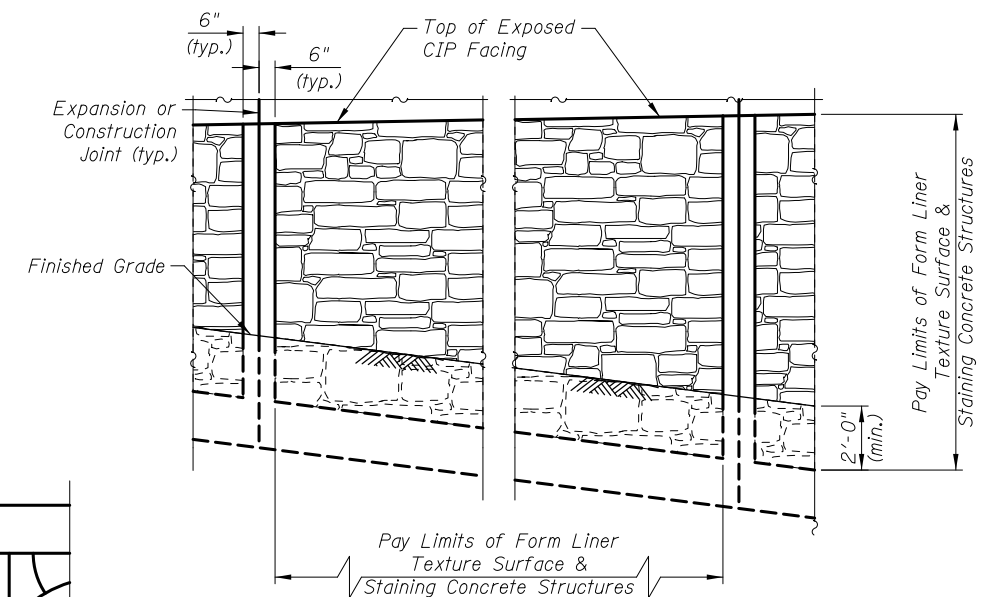
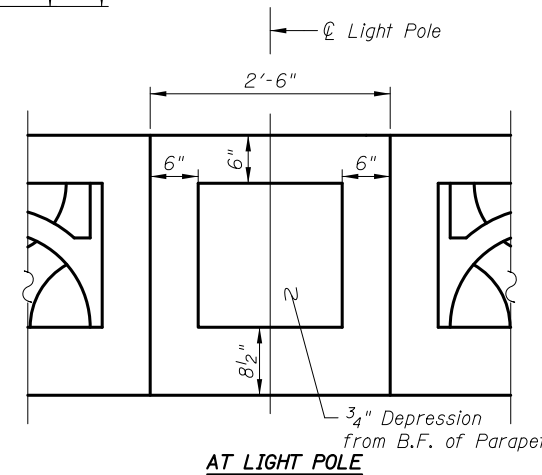


**ELEVATION - OUTSIDE FACE OF PARAPET**

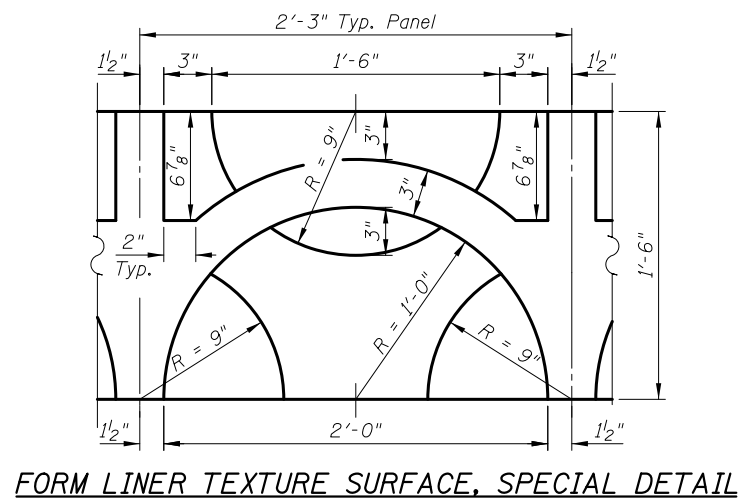
\* Pay Limits of Form Liner Texture Surface, Special



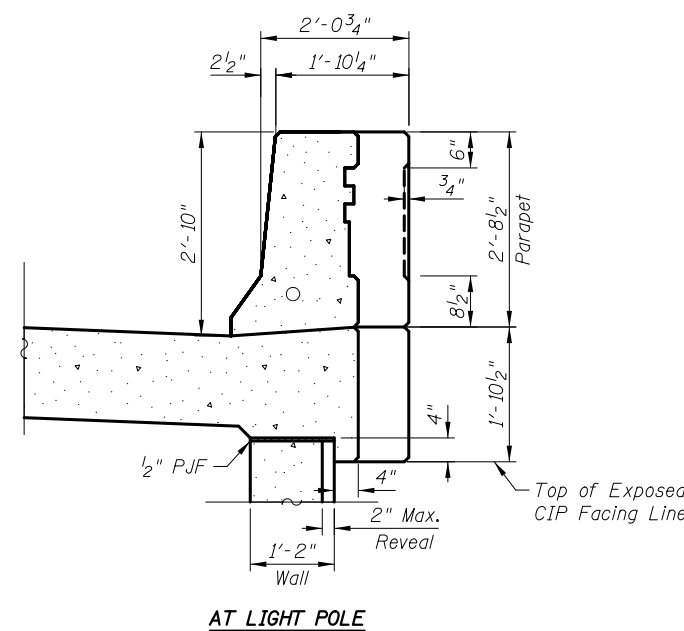
**FORM LINER TEXTURE SURFACE DETAIL**



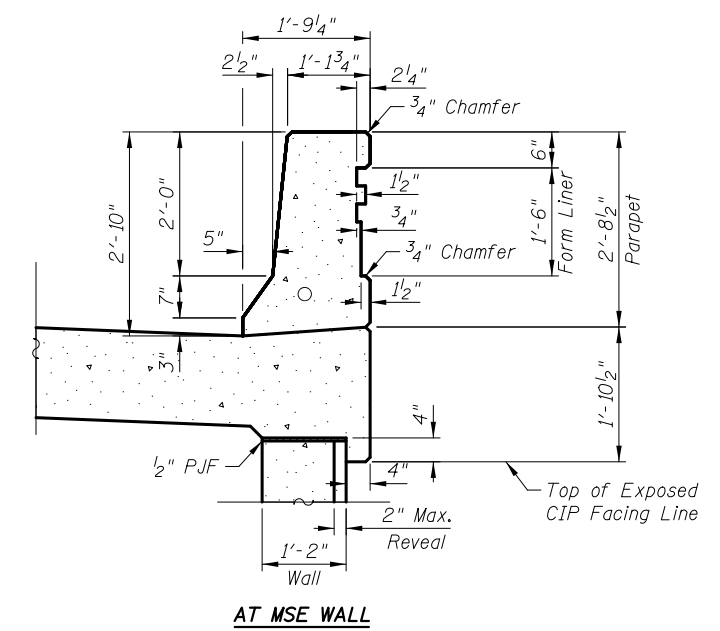
**AT LIGHT POLE**



**FORM LINER TEXTURE SURFACE, SPECIAL DETAIL**



**AT LIGHT POLE**



**AT MSE WALL**

**SECTION A-A**

4/23/05 PM I:\2154\cad\sheet\Roadway\20-STRUCTURES & WALLS\08-Wall C\0562500-60F72-06-AD\_rev.dgn