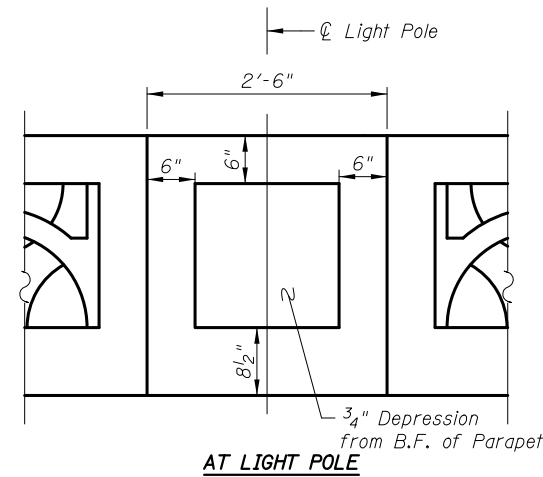
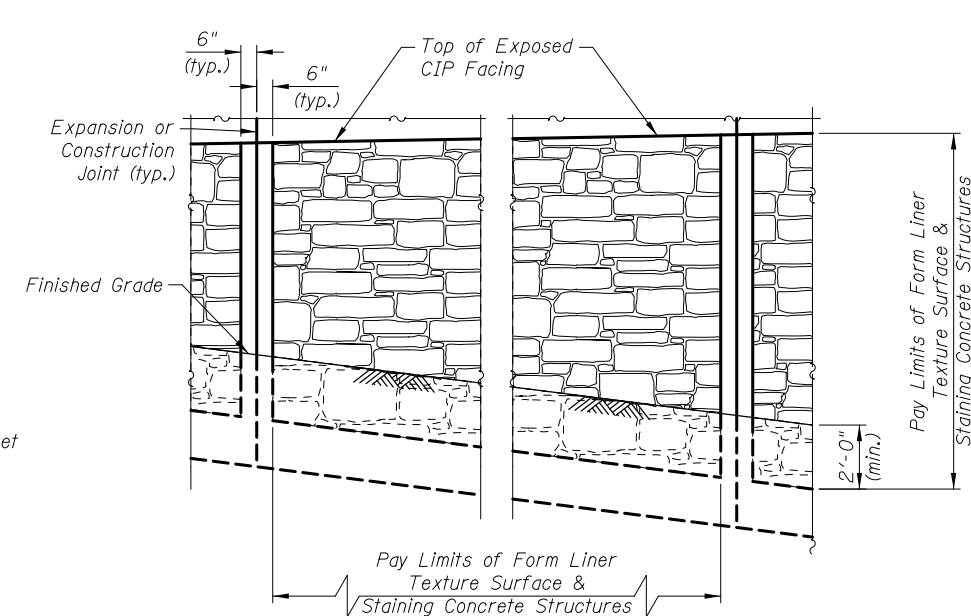


ELEVATION - OUTSIDE FACE OF PARAPET

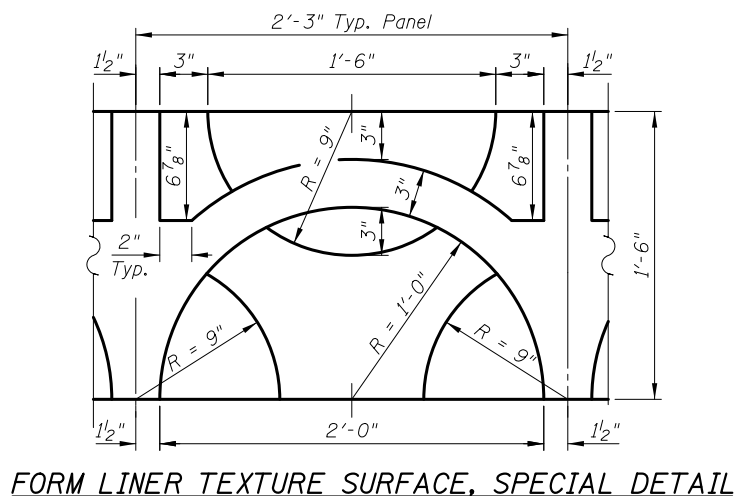
* Pay Limits of Form Liner Texture Surface, Special



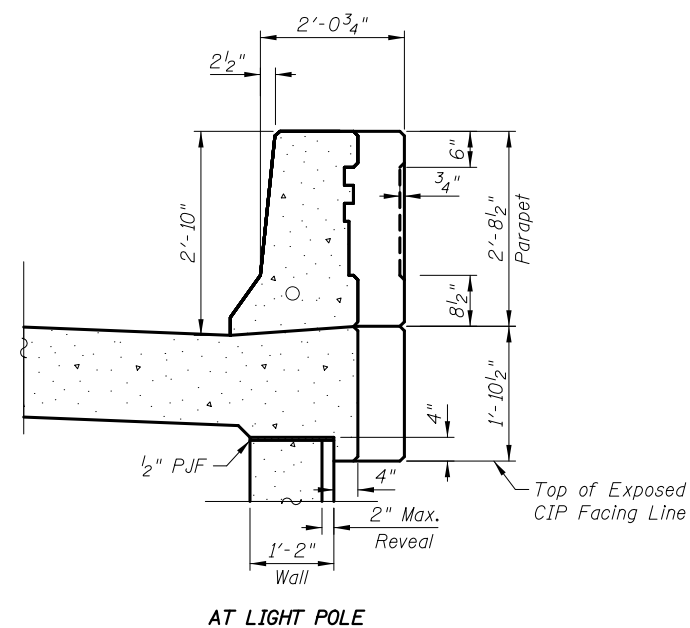
AT LIGHT POLE



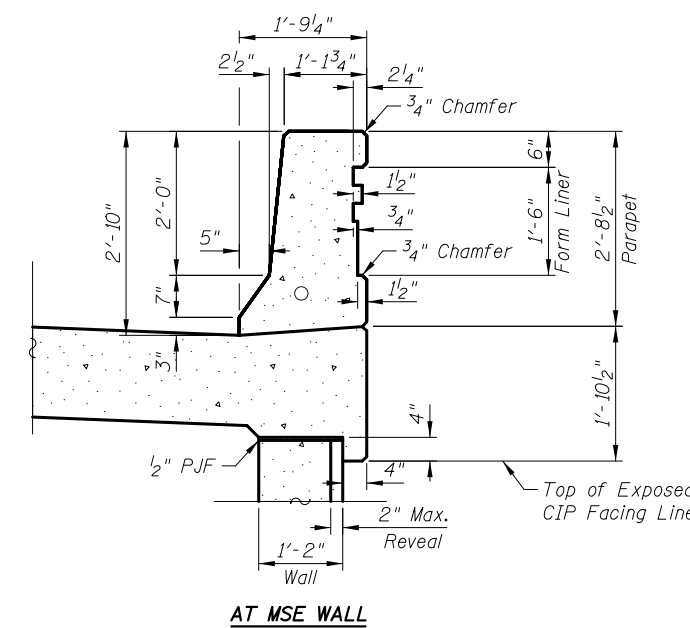
FORM LINER TEXTURE SURFACE DETAIL



FORM LINER TEXTURE SURFACE, SPECIAL DETAIL



AT LIGHT POLE



AT MSE WALL

SECTION A-A

5/2/2012 4:23:39 PM J:\2154\cad\sheet\Roadway\20-Structures & Walls\05-Wall\0562501-60F72-06-AD_Rev.dgn



450 E Devon Ave, Suite 300
Itasca, Illinois 60143
Tel: 630.773.3900 Fax: 630.773.3975
www.civiltechinc.com

DRAWN	-	K. BOCHNOWSKI
DESIGNED	-	D. ATKINS
CHECKED	-	G. HATLESTAD
DATE	-	5/3/2012

**STATE OF ILLINOIS
DEPARTMENT OF TRANSPORTATION**

**ARCHITECTURAL DETAILS
WALL D: IL RTE 31
STRUCTURE NO. 056-2501**

SHEET NO. WD6 OF WDB SHEETS

O.R. RTE.	SECTION	COUNTY	TOTAL SHEETS	SHEET NO.
0003	18A-2	MCHENRY	825	610
CONTRACT NO. 60F72				
ILLINOIS FED. AID PROJECT				