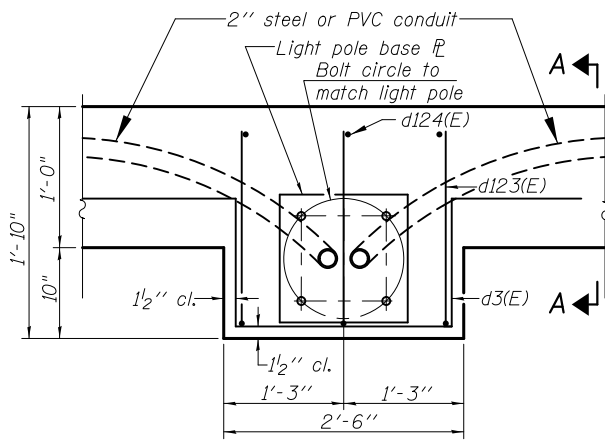
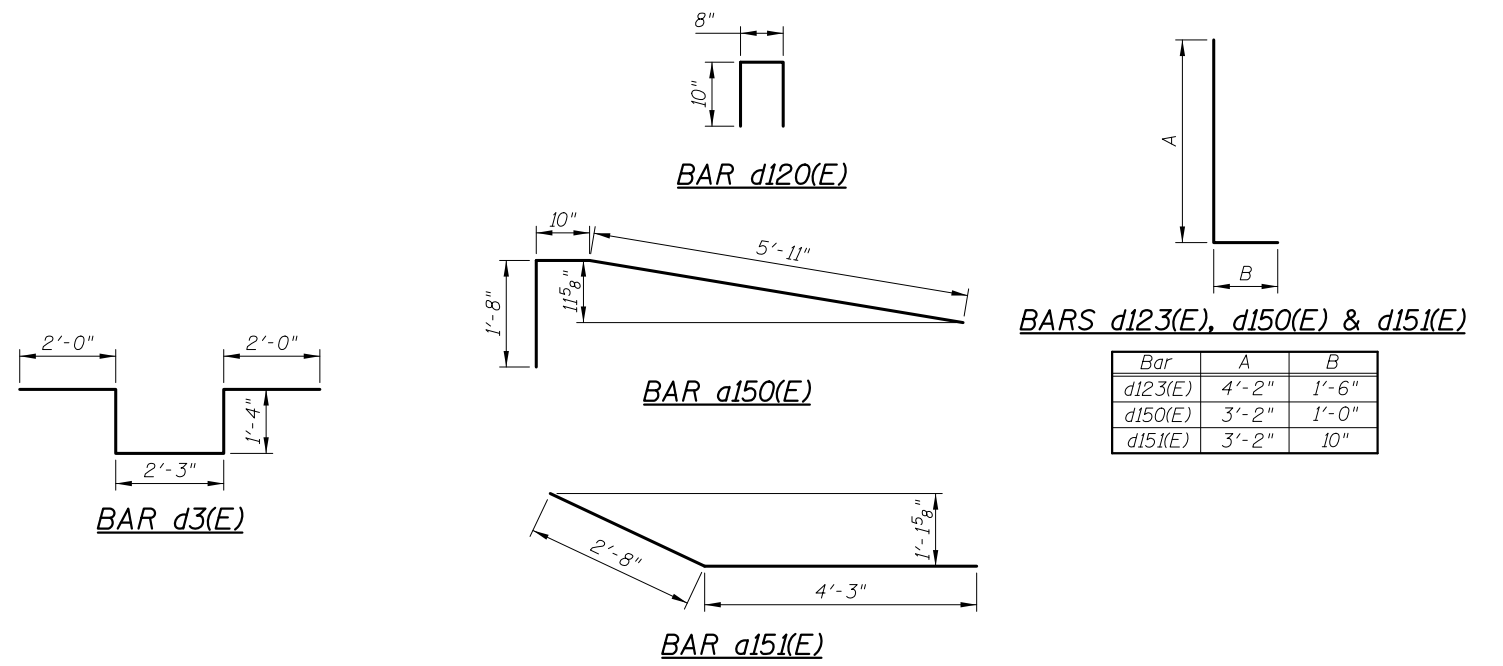


BILL OF MATERIAL

Bar	No.	Size	Length	Shape
a150(E)	109	#6	8'-5"	
a151(E)	109	#5	6'-11"	
b150(E)	72	#5	27'-2"	
d3(E)	8	#6	8'-11"	
d120(E)	22	#4	2'-4"	
d123(E)	3	#6	5'-8"	
d124(E)	3	#6	4'-2"	
d150(E)	109	#6	4'-2"	
d151(E)	109	#5	4'-0"	
e150(E)	48	#4	16'-2"	
Item	Unit	Quantity		
Concrete Superstructures	Cu. Yd.	45.1		
Protective Coat	Sq. Yd.	31		
Reinforcement Bars, Epoxy Coated	Pound	6,050		



Note: Cost of anchor rods and conduit is included with Concrete Superstructure.



5/2/2012 4:25:35 PM I:\2154\cad\sheet\Roadway\20-Structures & Walls\2-Wall\0562506-60F72-03-AND_rev.dgn