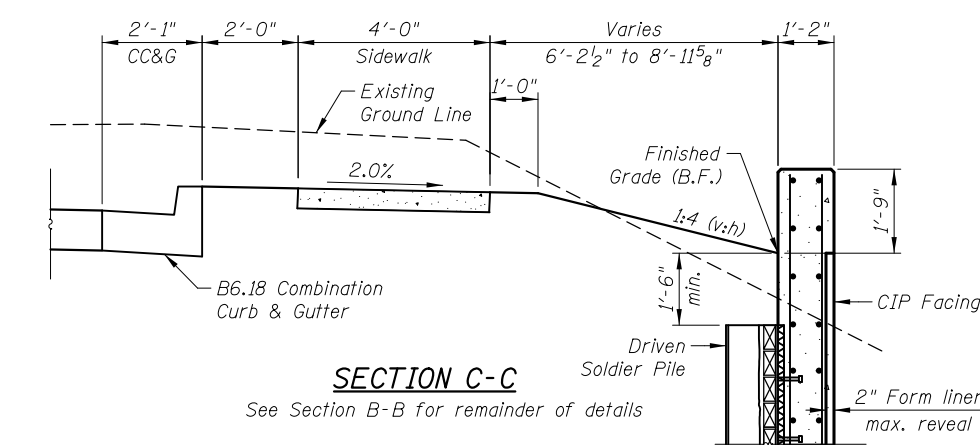


SECTION A-A

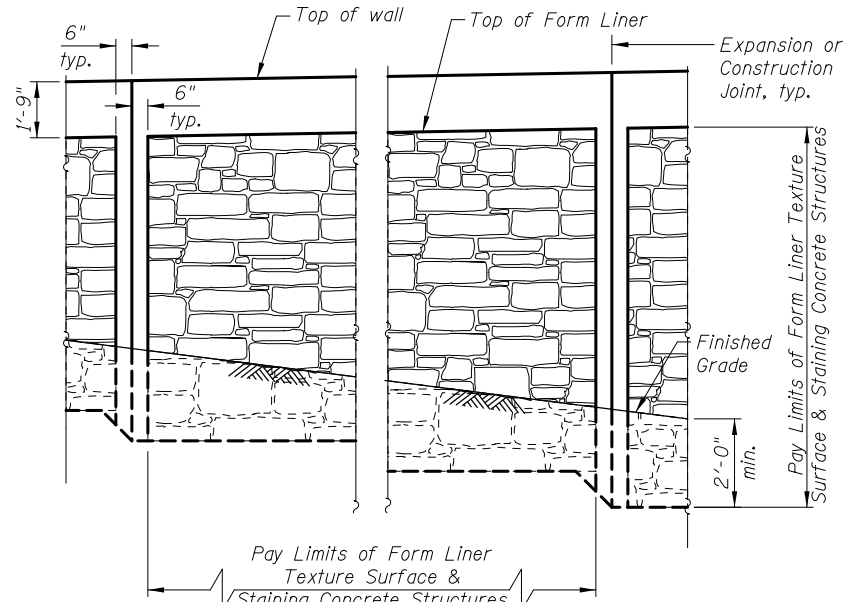
See Section B-B for remainder of details

SECTION B-B

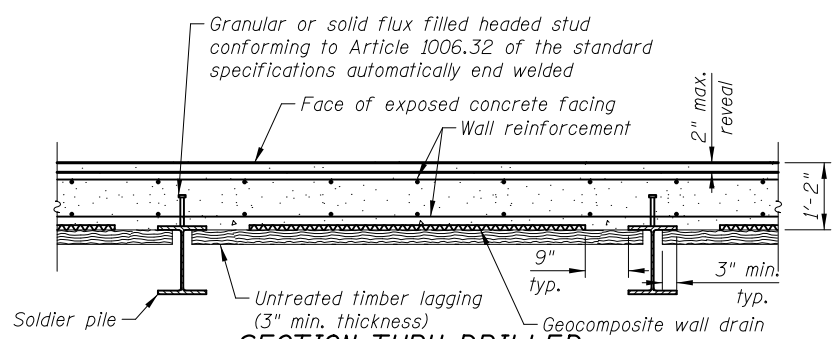


SECTION C-C

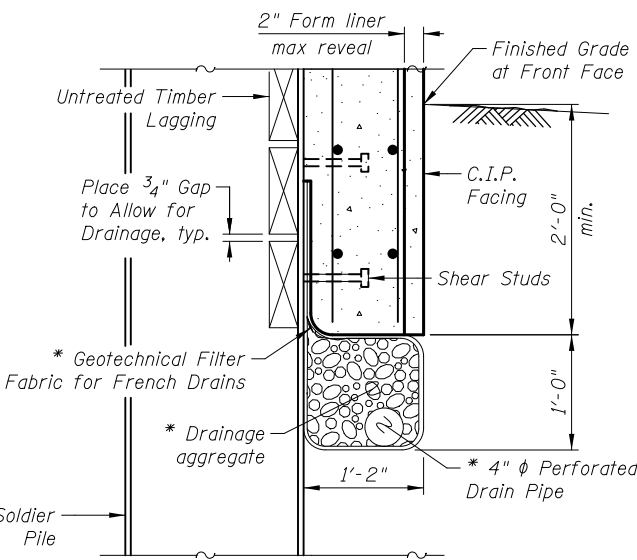
See Section B-B for remainder of details



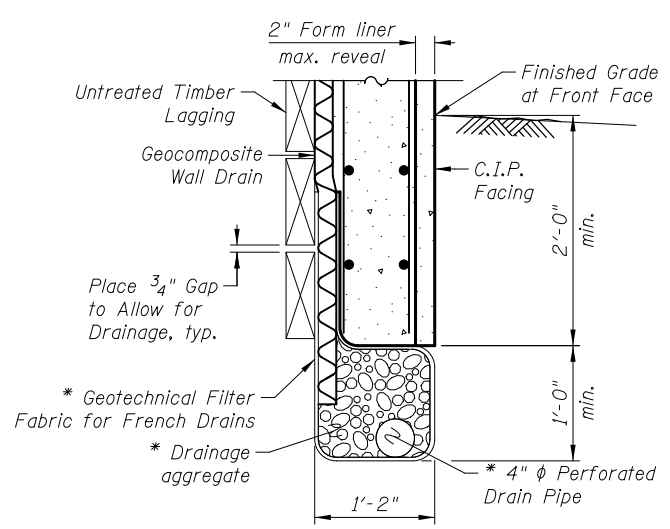
FORM LINER TEXTURE SURFACE DETAIL



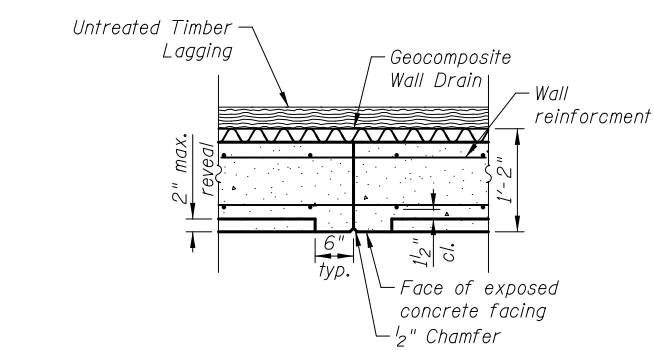
SECTION THRU DRILLED SOLDIER PILE WALL



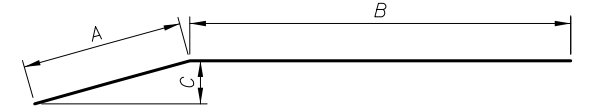
DRAINAGE DETAILS AT SOLDIER PILES



DRAINAGE DETAILS BETWEEN SOLDIER PILES



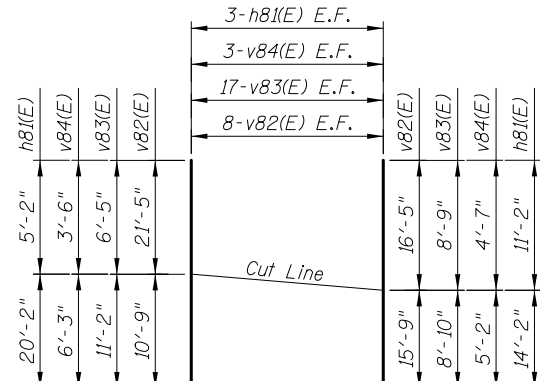
CONSTRUCTION JOINT



Bar	A	B	C
h86(E)	5'-7"	23'-4"	2'-9 1/2"
h87(E)	5'-9"	23'-6"	2'-10 1/2"
h88(E)	4'-11"	23'-4"	2'-5 1/2"
h89(E)	5'-1"	23'-6"	2'-6 1/2"
h90(E)	2'-11"	23'-4"	1'-5 1/2"
h91(E)	3'-1"	23'-6"	1'-6 1/2"
h92(E)	3'-7"	28'-3"	1'-1 5/8"

BARS h86(E) thru h91(E)

BAR d120(E)



FIELD CUTTING DIAGRAM

BILL OF MATERIAL

Bar	No.	Size	Length	Shape
d120(E)	18	#4	2'-4"	□
h72(E)	2	#4	31'-11"	—
h73(E)	2	#4	29'-0"	—
h80(E)	24	#4	31'-8"	—
h81(E)	6	#4	25'-4"	—
h82(E)	2	#4	37'-0"	—
h83(E)	4	#4	25'-4"	—
h84(E)	2	#4	15'-1"	—
h85(E)	6	#4	3'-8"	—
h86(E)	4	#4	28'-11"	—
h87(E)	4	#4	29'-3"	—
h88(E)	1	#4	28'-3"	—
h89(E)	1	#4	28'-7"	—
h90(E)	1	#4	26'-3"	—
h91(E)	1	#4	26'-7"	—
h92(E)	2	#4	31'-10"	—
h93(E)	2	#4	23'-2"	—
h94(E)	2	#4	6'-0"	—
h95(E)	2	#4	39'-10"	—
v80(E)	8	#4	7'-6"	—
v81(E)	2	#4	22'-4"	—
v82(E)	16	#4	32'-2"	—
v83(E)	34	#4	17'-7"	—
v84(E)	6	#4	9'-9"	—
Item	Unit	Quantity		
Concrete Structures	Cu. Yd.	32.1		
Reinforcement Bars, Epoxy Coated	Pound	2,090		

STATE OF ILLINOIS
DEPARTMENT OF TRANSPORTATION

RETAINING WALL DETAILS
WALL I; HUNTINGTON DRIVE

SHEET NO. W13 OF W15 SHEETS

O.R. RTE.	SECTION	COUNTY	TOTAL SHEETS	SHEET NO.
0003	18A-2	MCHENRY	825	647

CONTRACT NO. 60F72

ILLINOIS FED. AID PROJECT

CIVILTECH
450 E Devon Ave, Suite 300
Itasca, Illinois 60143
Tel: 630.773.3900 Fax: 630.773.3975
www.civiltechinc.com

DRAWN	-	M. LANGE
DESIGNED	-	M. LANGE
CHECKED	-	G. HATLESTAD
DATE	-	5/3/2012

* Included in the cost of Pipe Underdrains for Structures, 4"

4/26/40 PM 4:26:40 PM I:\2154\cad\sheet\Roadway\20-Structures & Walls\14-Wall\W-60F72-03-WD.dgn 5/2/2012