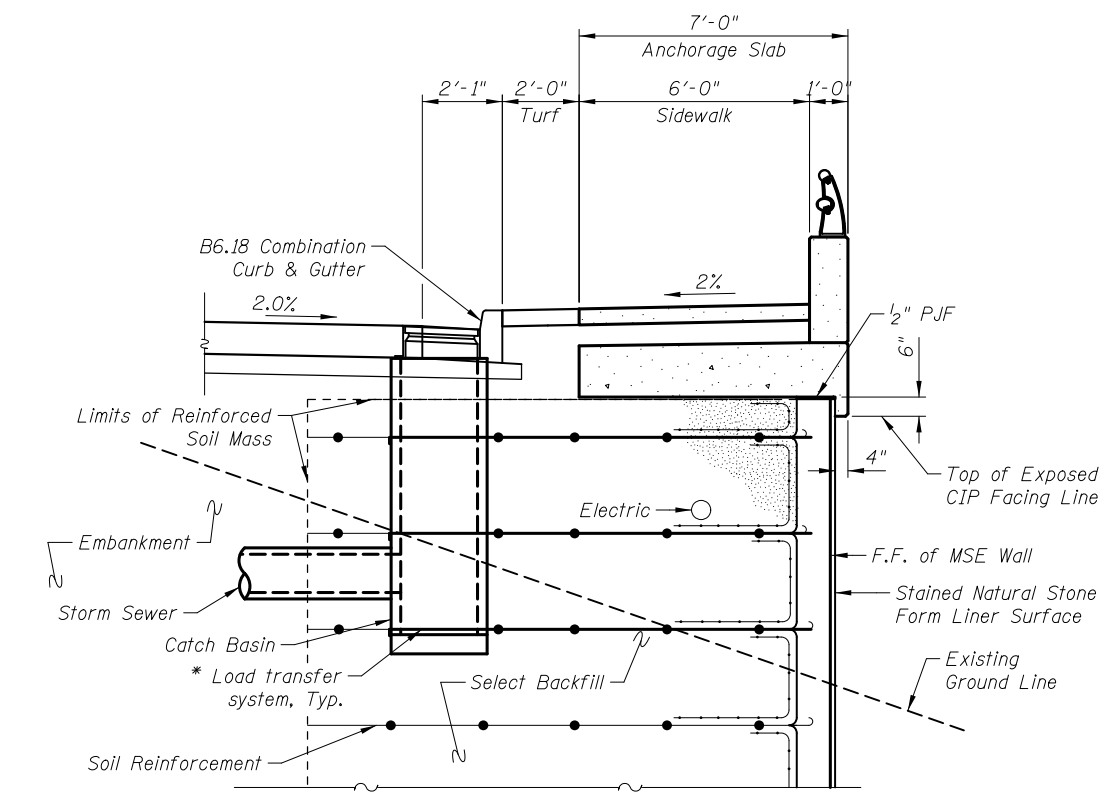
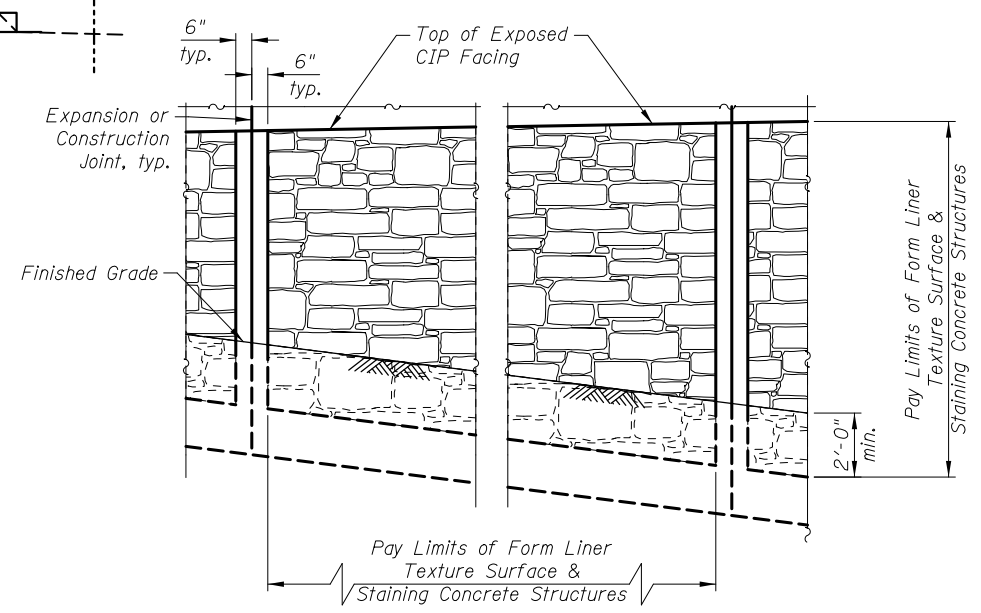


TYPICAL WALL SECTION
(Looking Northeast)



SECTION AT DRAINAGE STRUCTURE
(Looking Northeast)

*MSE supplier to design load transfer system to accommodate catch basin.



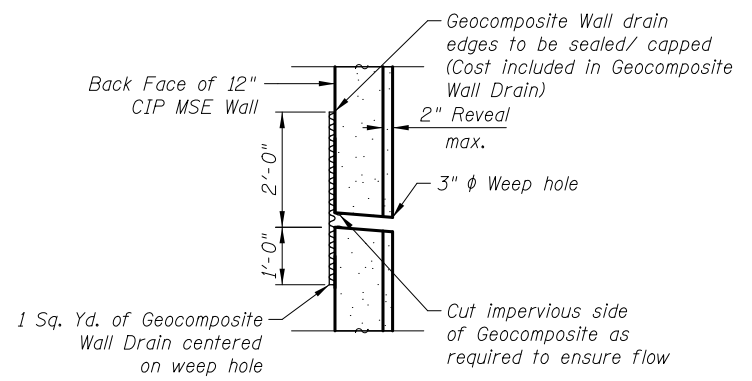
FORM LINER TEXTURE SURFACE DETAIL

The MSE wall supplier's internal stability design shall account for the anchorage slab's bearing pressure surcharge of 1.0 ksf and horizontal sliding force of 0.5 kips/ft. of wall.

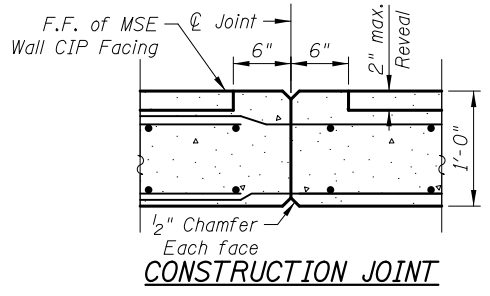
Notes:
For Frame & Grate type, Catch Basin type, & rim invert elevations, see Drainage and Utility Plans.
See sheet WJ3 for dimensions & reinforcement of Anchorage Slab.

BILL OF MATERIAL

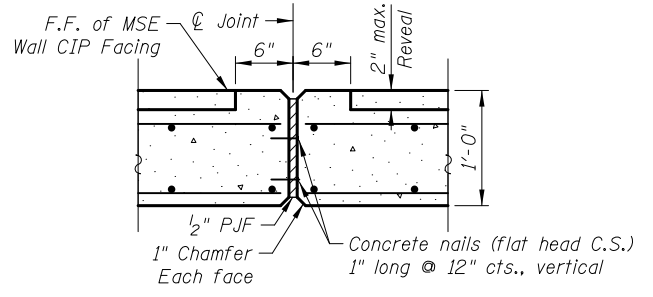
ITEM	UNIT	TOTAL QUANTITY
Structure Excavation	Cu. Yd.	790
Form Liner Textured Surface	Sq. Ft.	1,467
Geocomposite Wall Drain	Sq. Yd.	24
Mechanically Stabilized Earth Retaining Walls	Sq. Ft.	1,793
Staining Concrete Structures	Sq. Yd.	163



WEEP HOLE DRAIN DETAIL
Weep hole spacing shall be at 8'-0" horizontally



CONSTRUCTION JOINT



EXPANSION JOINT

4/27/10 PM 4:27:10 PM J:\2154\cad\sheet\Roadway\20-Structures & Walls\15-Wall\0562503-60F72-02-WWD_rev.dgn