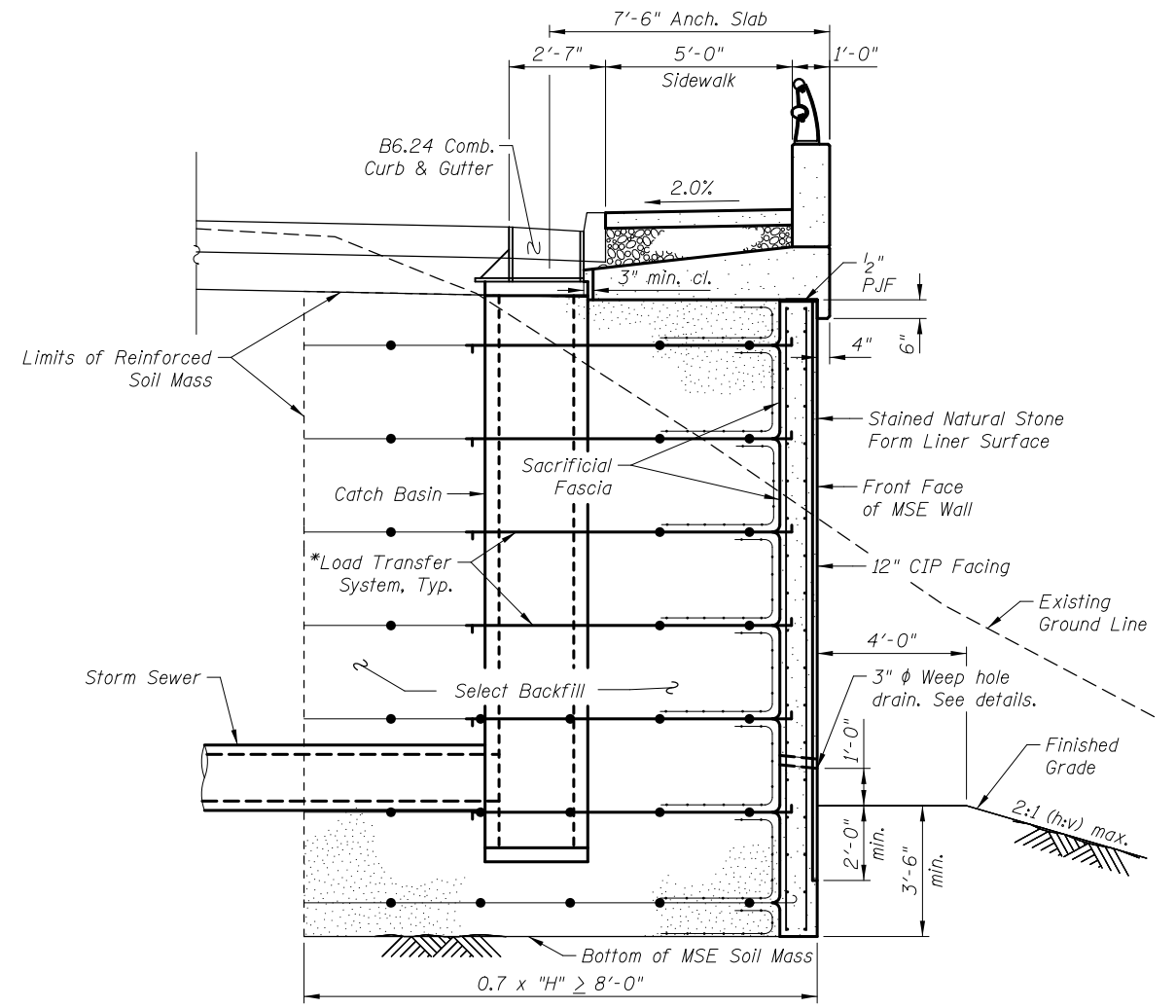


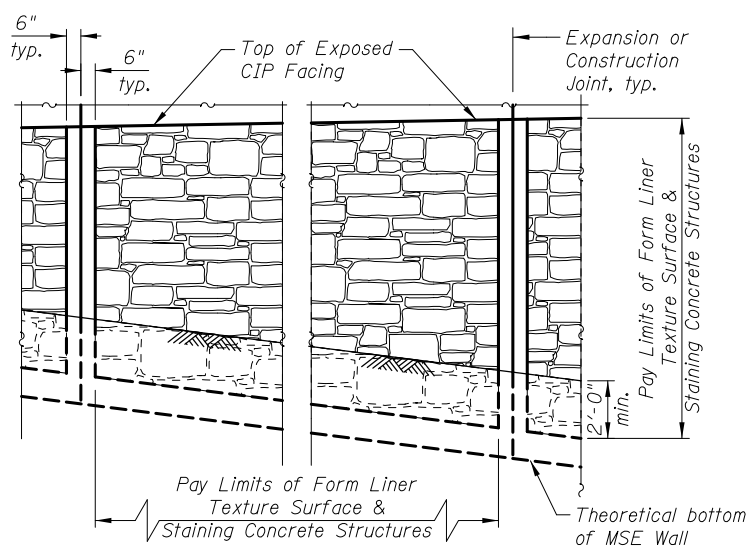
**TYPICAL WALL SECTION**  
(Looking East)

The MSE wall supplier's internal stability design shall account for the anchorage slab's bearing pressure surcharge of 1.0 ksf and horizontal sliding force of 0.5 kips/ft. of wall.

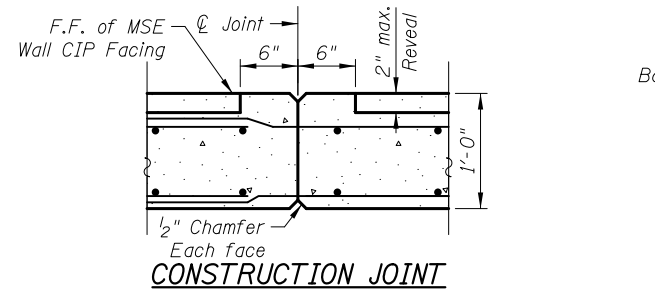


**SECTION AT DRAINAGE STRUCTURE**  
(Looking East)

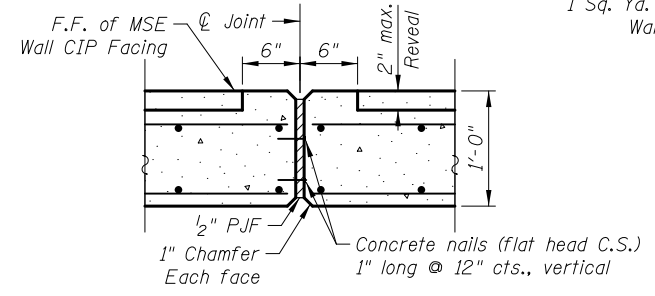
\* MSE supplier to design load transfer system to accommodate concrete pipe and catch basin



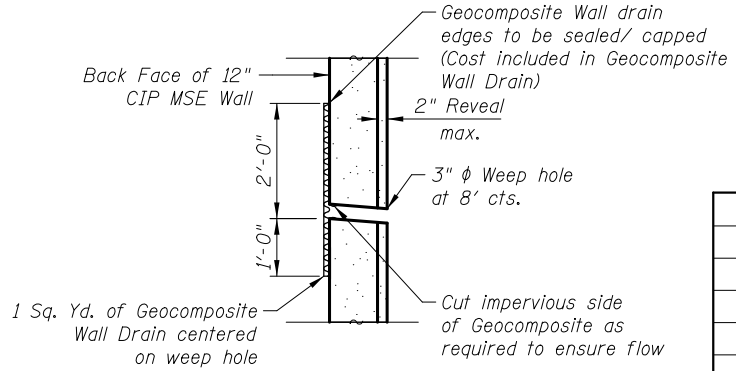
**FORM LINER TEXTURE SURFACE DETAIL**



**CONSTRUCTION JOINT**



**EXPANSION JOINT**



**WEEP HOLE DRAIN DETAIL**

Weep hole spacing shall be at 8'-0" horizontally

**MSE WALL  
BILL OF MATERIALS**

ITEM	UNIT	QUANTITY
Structure Excavation	Cu. Yd.	1,366
Form Liner Textured Surface	Sq. Ft.	3,239
Geocomposite Wall Drain	Sq. Yd.	46
Mechanically Stabilized Earth Retaining Walls	Sq. Ft.	3,711
Staining Concrete Structures	Sq. Yd.	360

Note:  
For Frame & Grate type, catch basin type and rim elevations see Drainage & Utility Plans.  
See sheet WK6 for dimensions and reinforcement of Anchorage Slab.

5/2/2012 4:27:22 PM J:\2154\cad\sheet\Roadway\20-Structures & Walls\16-Wall\K\0562504-60F72-03-MWD\_rev.dgn