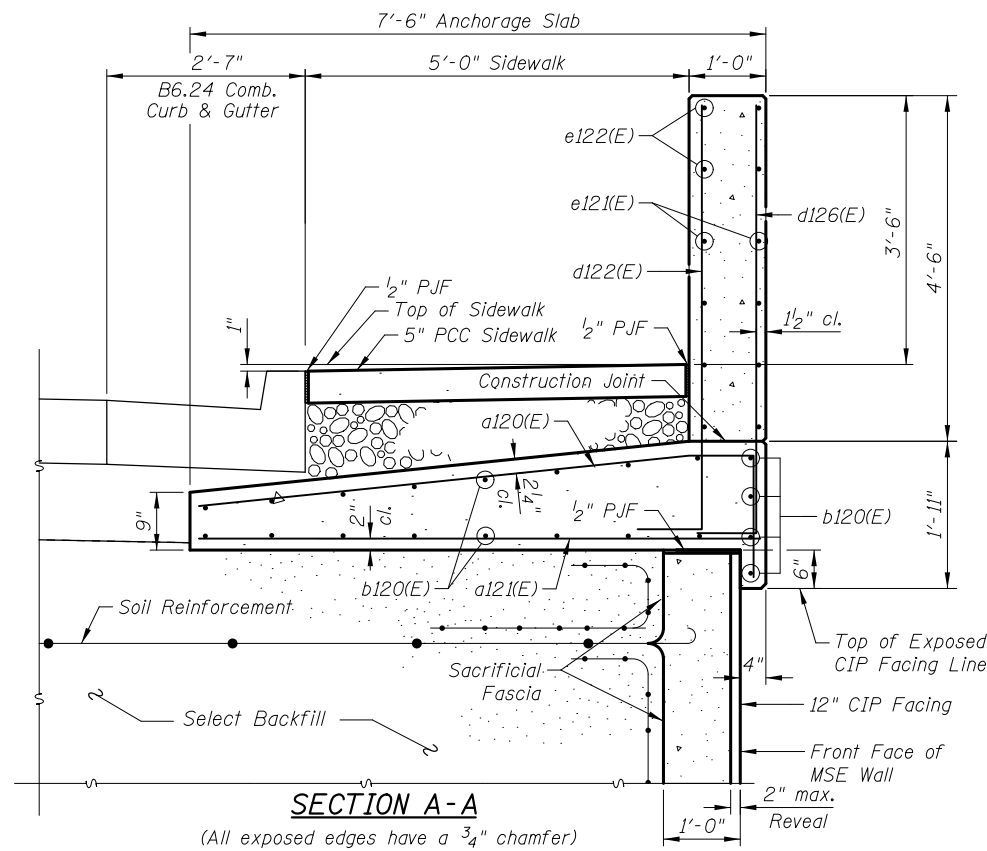
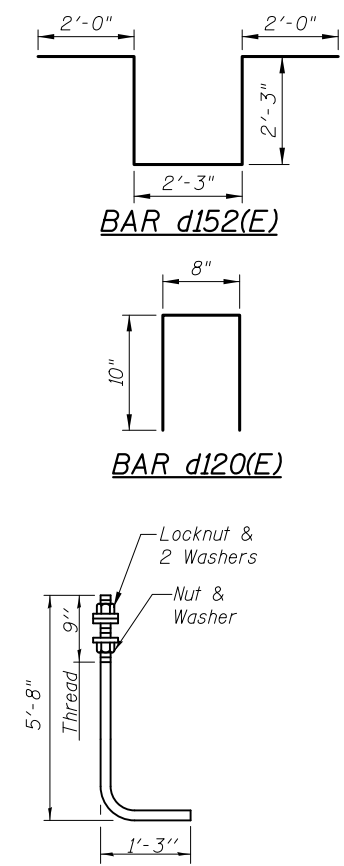


SECTION THRU ANCHORAGE SLAB
(All exposed edges have a 3/4" chamfer)



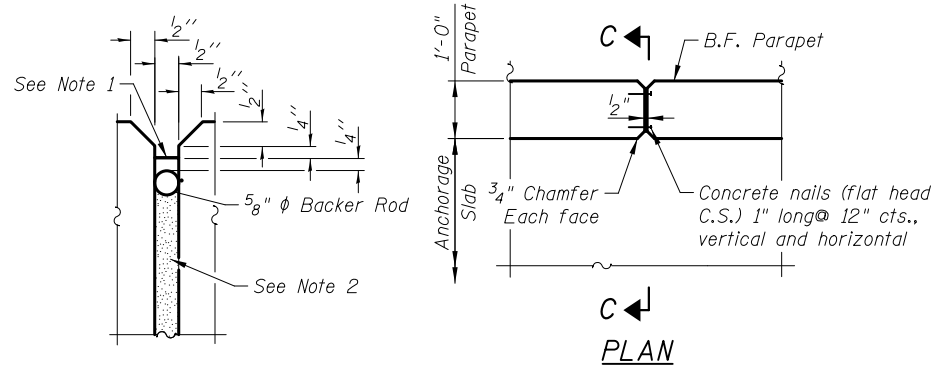
SECTION A-A
(All exposed edges have a 3/4" chamfer)



ANCHOR ROD
Diameter as specified for light poles. See sheet WK7 for Aluminum Railing, Type L details. See sheet WK5 for Section A-A.

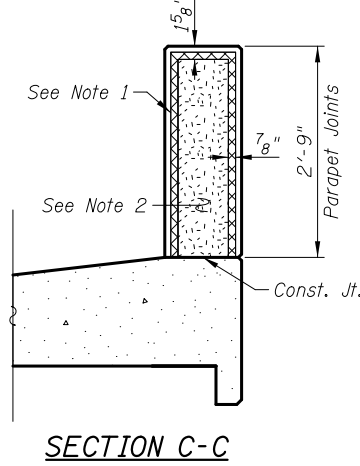
ANCHORAGE SLABS
BILL OF MATERIAL

| Bar | No. | Size | Length | Shape |
|----------------------------------|-----|---------|----------|-------|
| a120(E) | 365 | #6 | 8'-10" | |
| a121(E) | 365 | #5 | 7'-2" | |
| a152(E) | 4 | #5 | 2'-6" | |
| b120(E) | 280 | #5 | 29'-0" | |
| d120(E) | 82 | #4 | 2'-4" | |
| d121(E) | 358 | #6 | 4'-10" | |
| d122(E) | 5 | #6 | 6'-7" | |
| d124(E) | 6 | #6 | 4'-2" | |
| d125(E) | 358 | #5 | 4'-8" | |
| d126(E) | 5 | #5 | 6'-5" | |
| d152(E) | 16 | #6 | 10'-9" | |
| d153(E) | 6 | #6 | 6'-7" | |
| e120(E) | 184 | #4 | 14'-8" | |
| e121(E) | 8 | #4 | 15'-10" | |
| e122(E) | 4 | #4 | 3'-8" | |
| Item | | Unit | Quantity | |
| Concrete Superstructures | | Cu. Yd. | 155.5 | |
| Protective Coat | | Sq. Yd. | 112 | |
| Reinforcement Bars, Epoxy Coated | | Pound | 22,910 | |

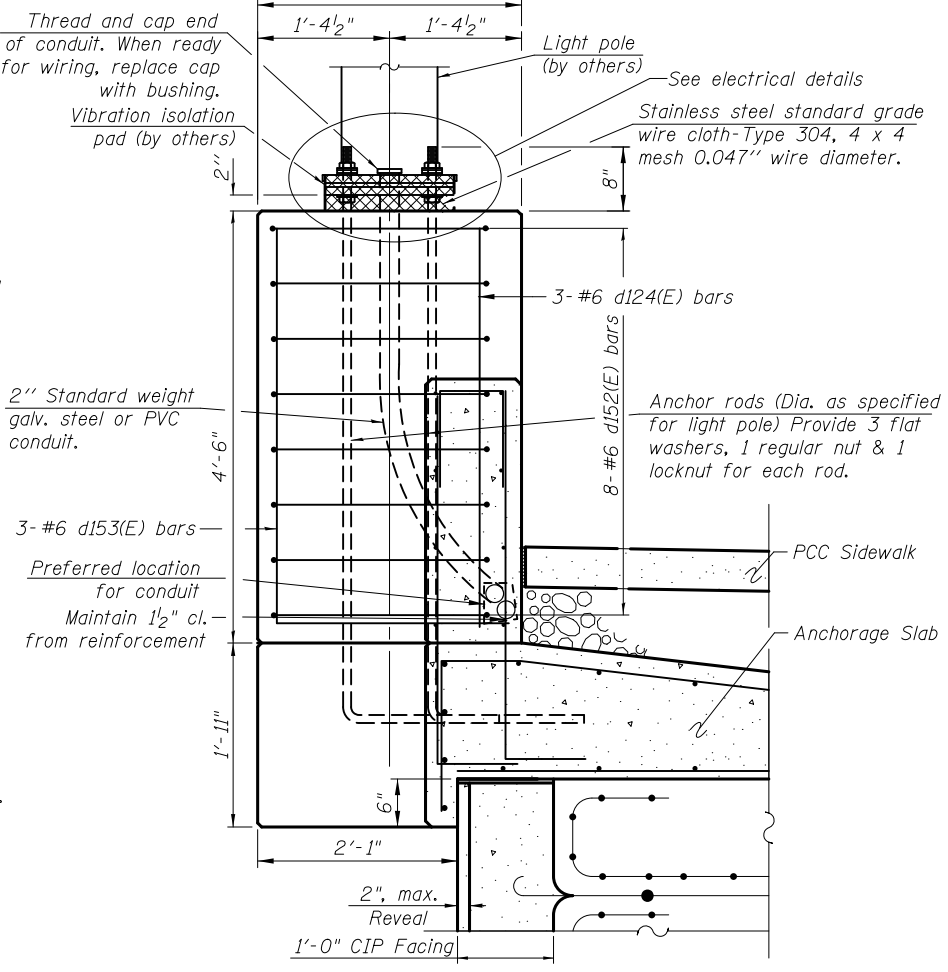


PARAPET JOINT DETAILS

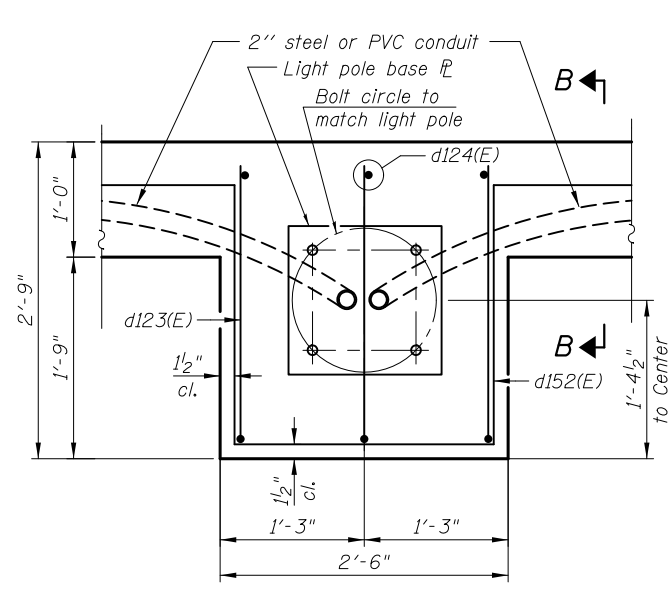
- Parapet Joint Notes:
1. Non-staining gray one component non-sag elastomeric gun grade polyurethane sealant meeting the requirements of ASTM C-920, Type S, Grade NS, Class 25, use T with a 5/8" backer rod.
 2. 1/2" Preformed Self-Expanding Cork Joint Filler according to Article 1051.07 of the Std. Spec. Cost included with Concrete Superstructure.



SECTION C-C

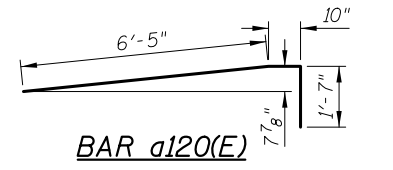


SECTION B-B



LIGHT POLE FOUNDATION PLAN

Note: Cost of anchor rods and conduit is included with Concrete Superstructure.



BAR a120(E)

BARS d121(E), d122(E), d125(E), d126(E) & d153(E)

| Bar | A | B |
|---------|--------|-------|
| d121(E) | 3'-10" | 1'-0" |
| d122(E) | 5'-7" | 1'-0" |
| d125(E) | 3'-10" | 10" |
| d126(E) | 5'-7" | 10" |
| d153(E) | 4'-2" | 2'-5" |

4/27/2012 4:27:30 PM J:\2154\cad\sheet\Roadway\20-Structures & Walls\16-Wall\K\0562504-60F72-06-AND_rev.dgn