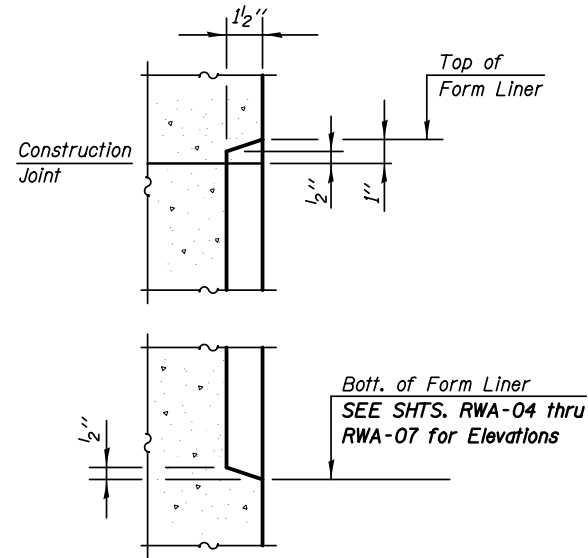
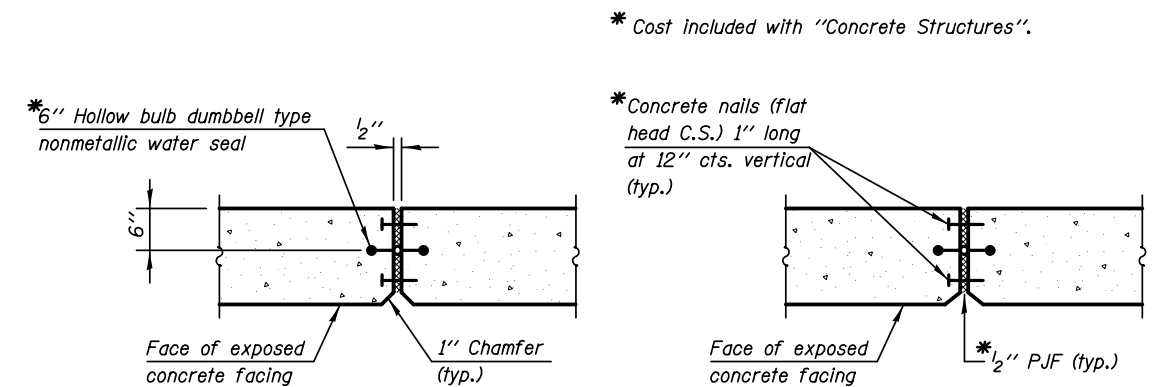


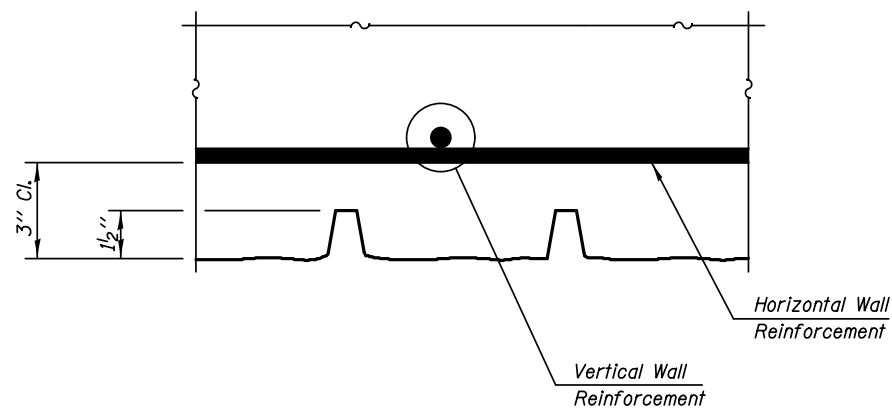
INSIDE ELEVATION - FORM LINER



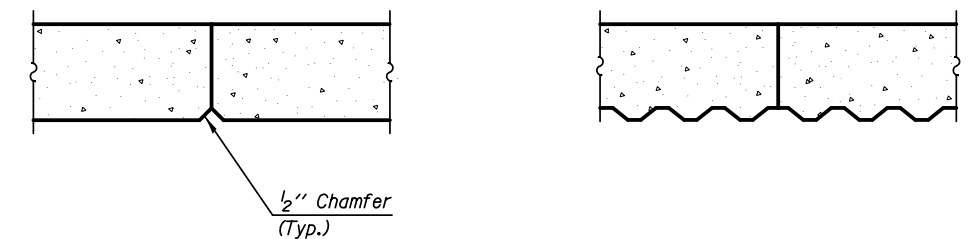
SECTION A-A



WALL EXPANSION JOINT DETAIL



PLAN - FORM LINER

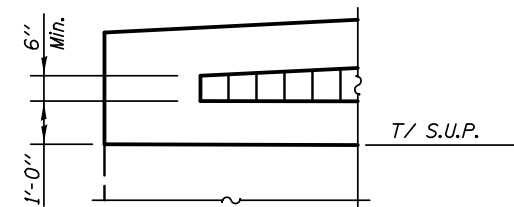


WALL CONSTRUCTION JOINT DETAIL

NOTE:
SEE SHTS. RWA-04 thru RWA-07
for Bottom of Form Liner Elevations

WALL #	
STATION	ELEVATION
00+00.00	El. 00.00

WALL #	
STATION	ELEVATION
00+00.00	El. 00.00



END FORM LINER DETAIL

LEGEND
S.U.P. Shared Use Path

KNIGHT
Engineers & Architects

DESIGNED - TB	REVISED - 4/2/2012
CHECKED - WPM	REVISED -
DRAWN - TB	REVISED -
CHECKED - WPM	REVISED -

STATE OF ILLINOIS
DEPARTMENT OF TRANSPORTATION

ARCHITECTURAL FINISH AND JOINT DETAILS
STRUCTURE NUMBER 022-W045

F.A.P. RTE.	SECTION	COUNTY	TOTAL SHEETS	SHEET NO.
338/IL 59	2011-035-I	DUPAGE	181	59
CONTRACT NO. 60P41				

SHEET NO. RWA-09 OF 13 SHEETS

ILLINOIS FED. AID PROJECT