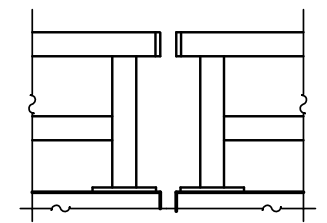
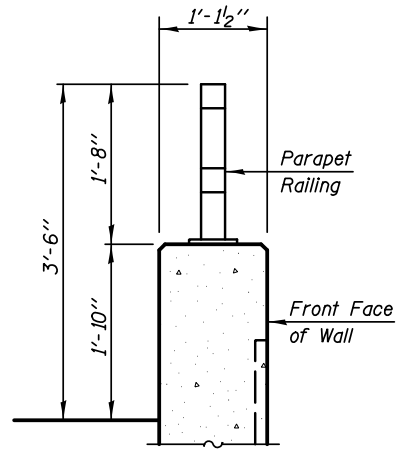


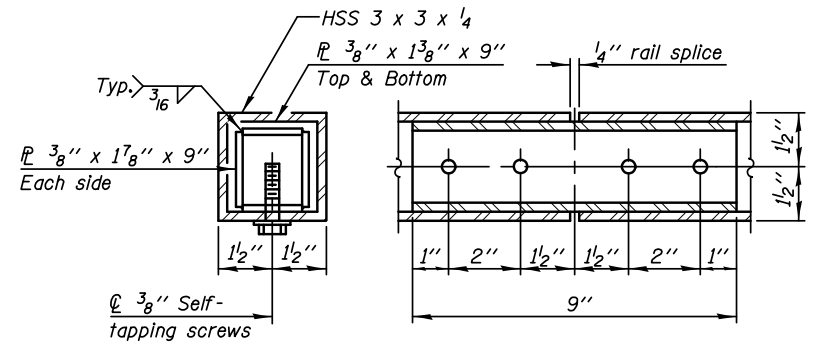
**PARAPET RAILING
ELEVATION**



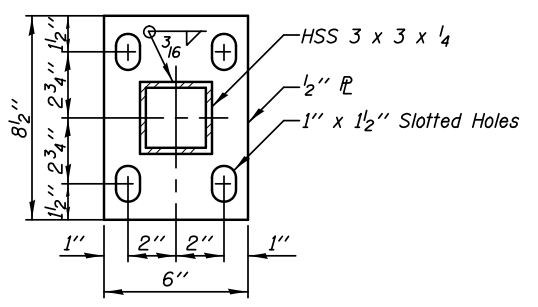
**PARAPET RAILING
ELEVATION AT EXPANSION JOINT**



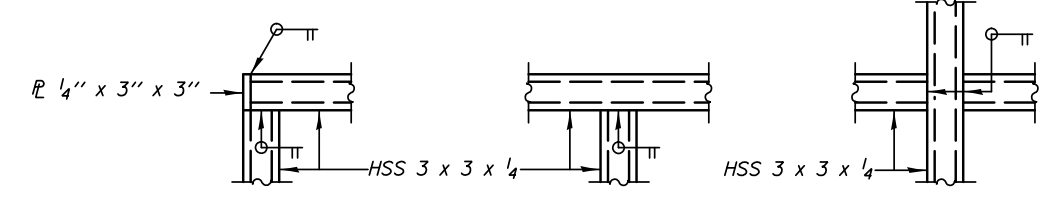
SECTION THRU WALL



RAIL SPLICE



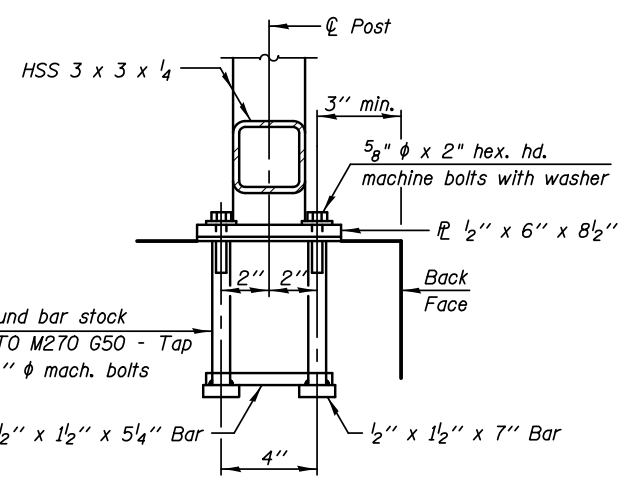
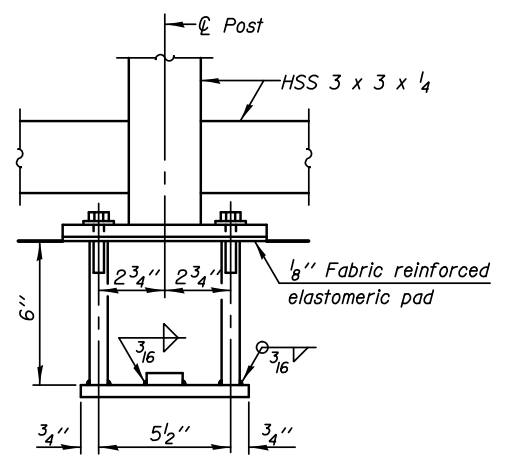
BASE PLATE



DETAIL A

DETAIL B

DETAIL C



ANCHOR BOLT DETAILS

In lieu of the cast-in-place anchor device shown, the Contractor has the option of drilling and setting 5/8" diameter anchor rods according to Article 509.06 of the Standard Specifications. Embedment shall be according to the manufacturer's specifications.

Notes:
All steel rail elements shall be galvanized according to Article 509.05 of the Standard Specifications.

BILL OF MATERIAL

Item	Unit	Quantity
Parapet Railing	Foot	344.0