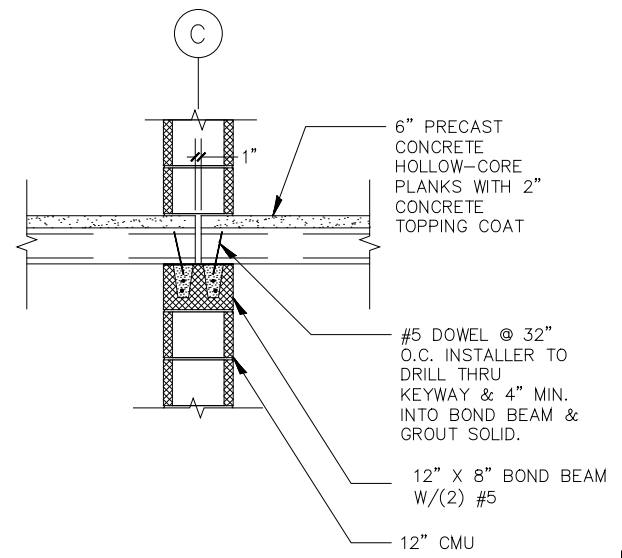
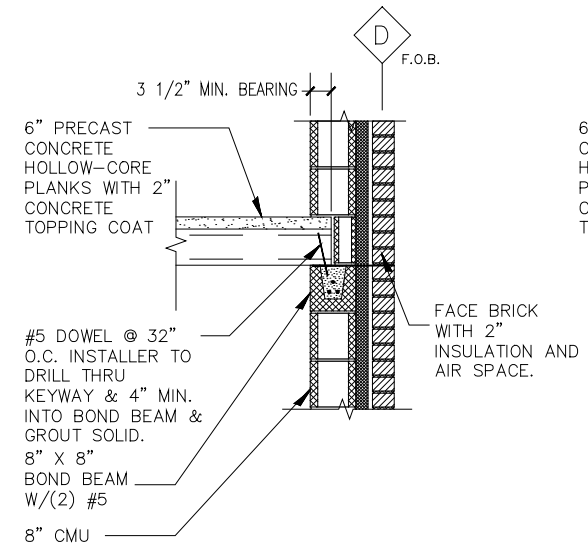


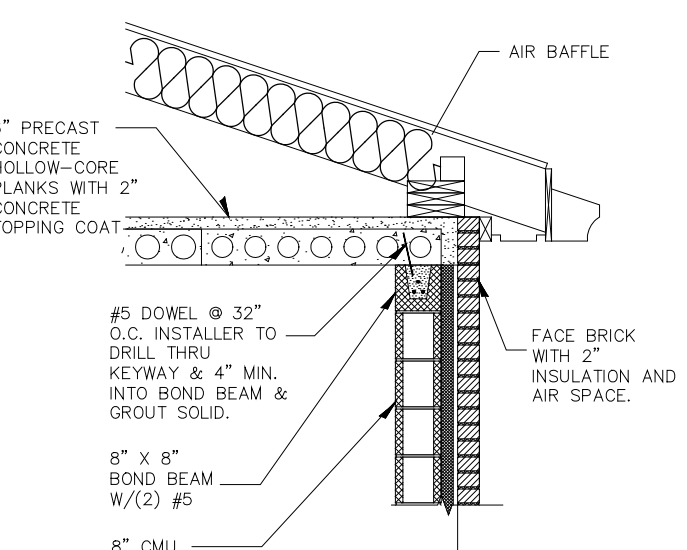
2 BUILDING SECTION
SCALE: 3/4" = 1'-0"



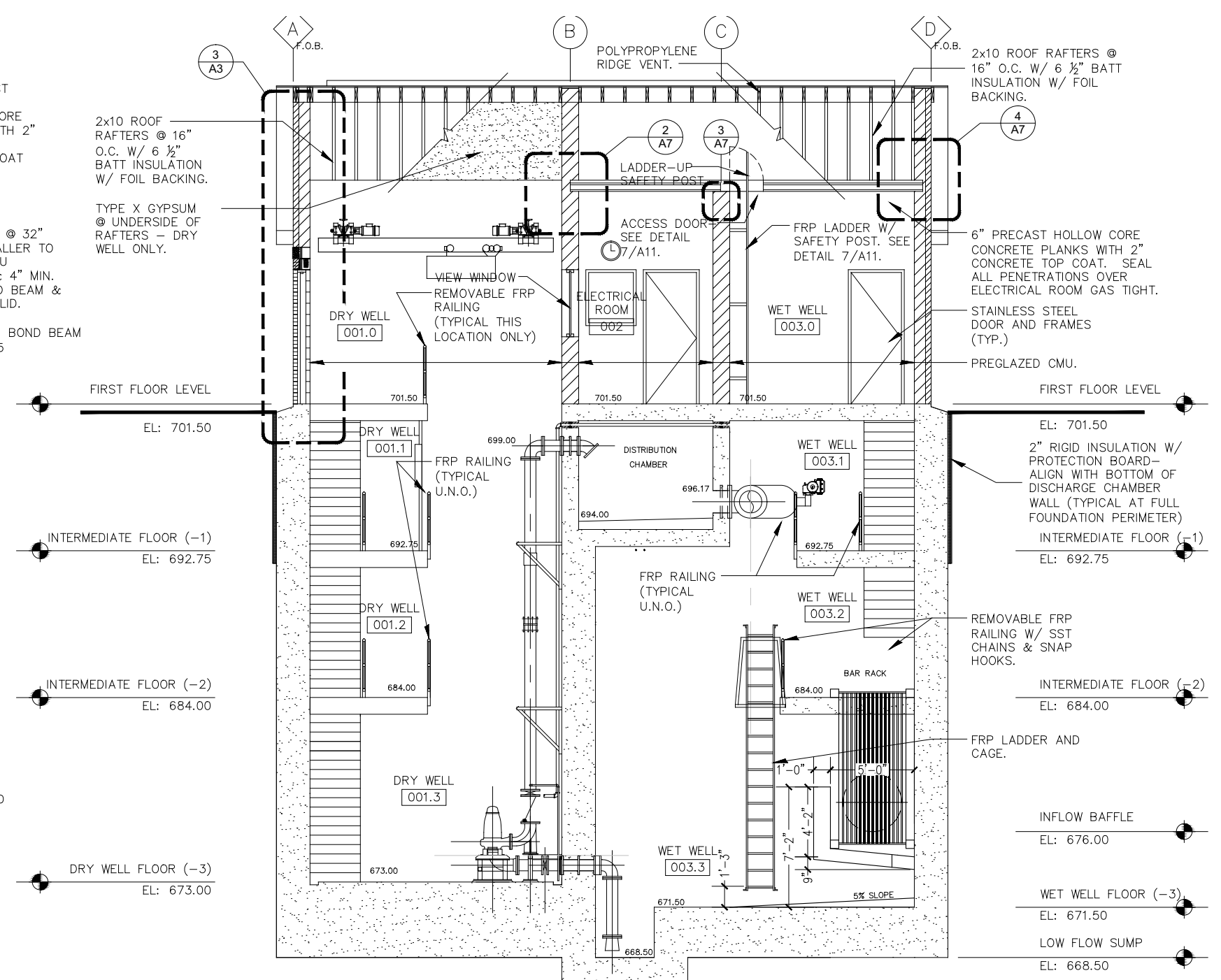
3 BUILDING SECTION
SCALE: 3/4" = 1'-0"



4 BUILDING SECTION
SCALE: 3/4" = 1'-0"



5 BUILDING SECTION
SCALE: 3/4" = 1'-0"



1 BUILDING SECTION
SCALE: 1/4" = 1'-0"

NOTE:
SEE STRUCTURAL DRAWINGS FOR ALL
POURED IN PLACE CONCRETE /
REINFORCING WORK BELOW GRADE.



A7

KNIGHT Engineers & Architects	DESIGNED RMK	REVISED -	STATE OF ILLINOIS DEPARTMENT OF TRANSPORTATION	BUILDING SECTIONS PUMP STATION 47		F.A.P. RTE.	SECTION	COUNTY	TOTAL SHEETS	SHEET NO.
	CHECKED RMK	REVISED -		338/IL 59	2011-035-1	DUPAGE	181	70		
	DRAWN NMP	REVISED -		SHEET NO. A7 OF 12 SHEETS				CONTRACT NO. 60P41		
	DATE 03-22-2012	CHECKED RMK		REVISED -	ILLINOIS FED. AID PROJECT					