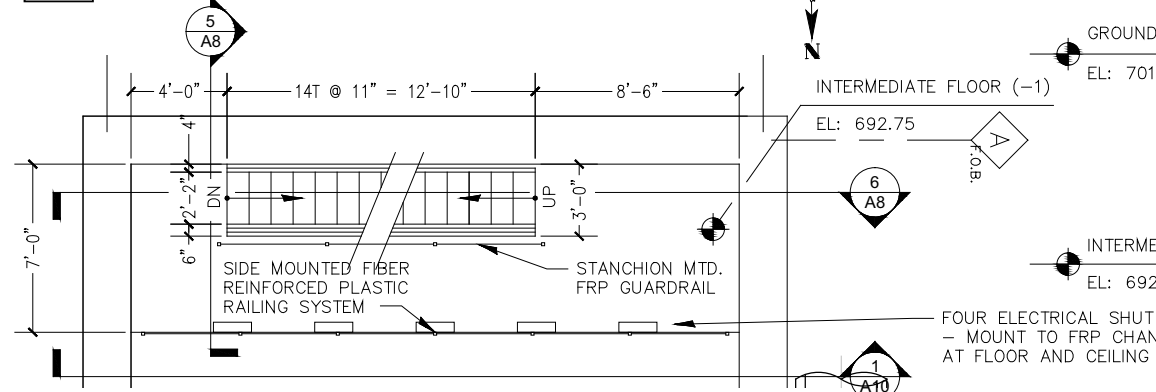
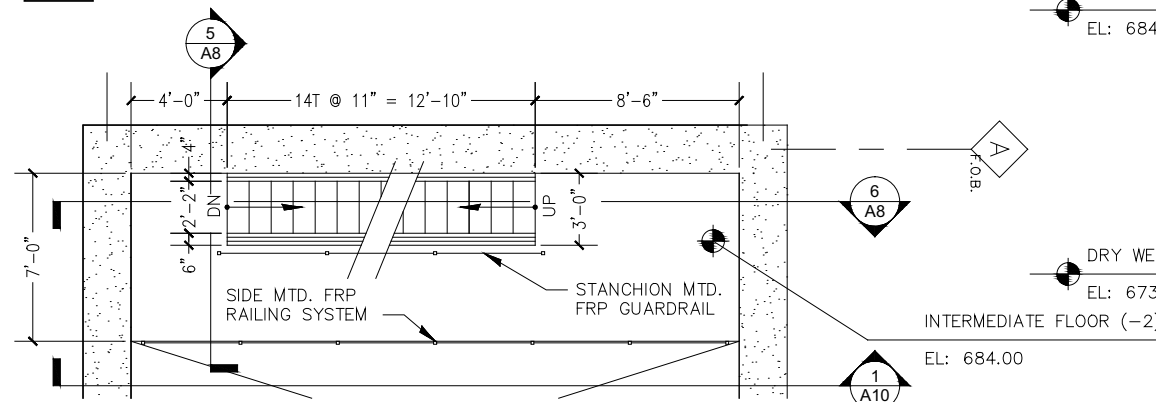


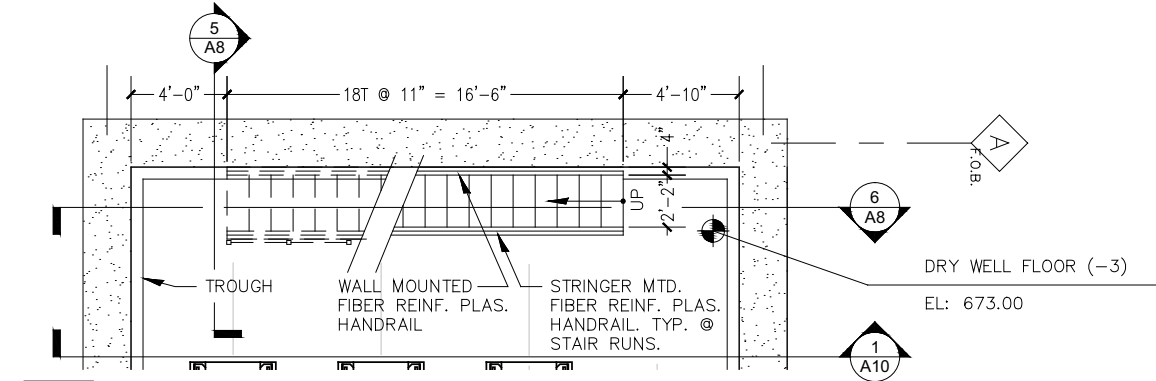
4 GROUND FLOOR PLAN – DRY EL: 701.50
SCALE: 3/8" = 1'-0"



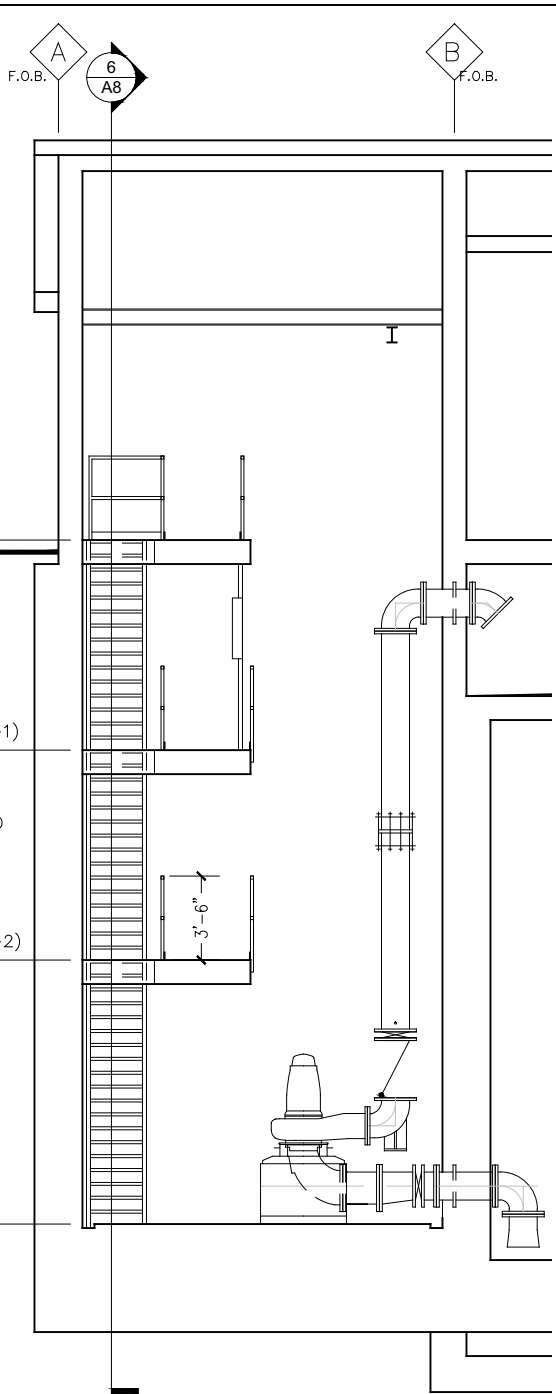
3 INTERMEDIATE FLOOR PLAN (-1) – DRY EL: 692.75
SCALE: 3/8" = 1'-0"



2 INTERMEDIATE FLOOR PLAN (-2) – DRY EL: 684.00
SCALE: 3/8" = 1'-0"

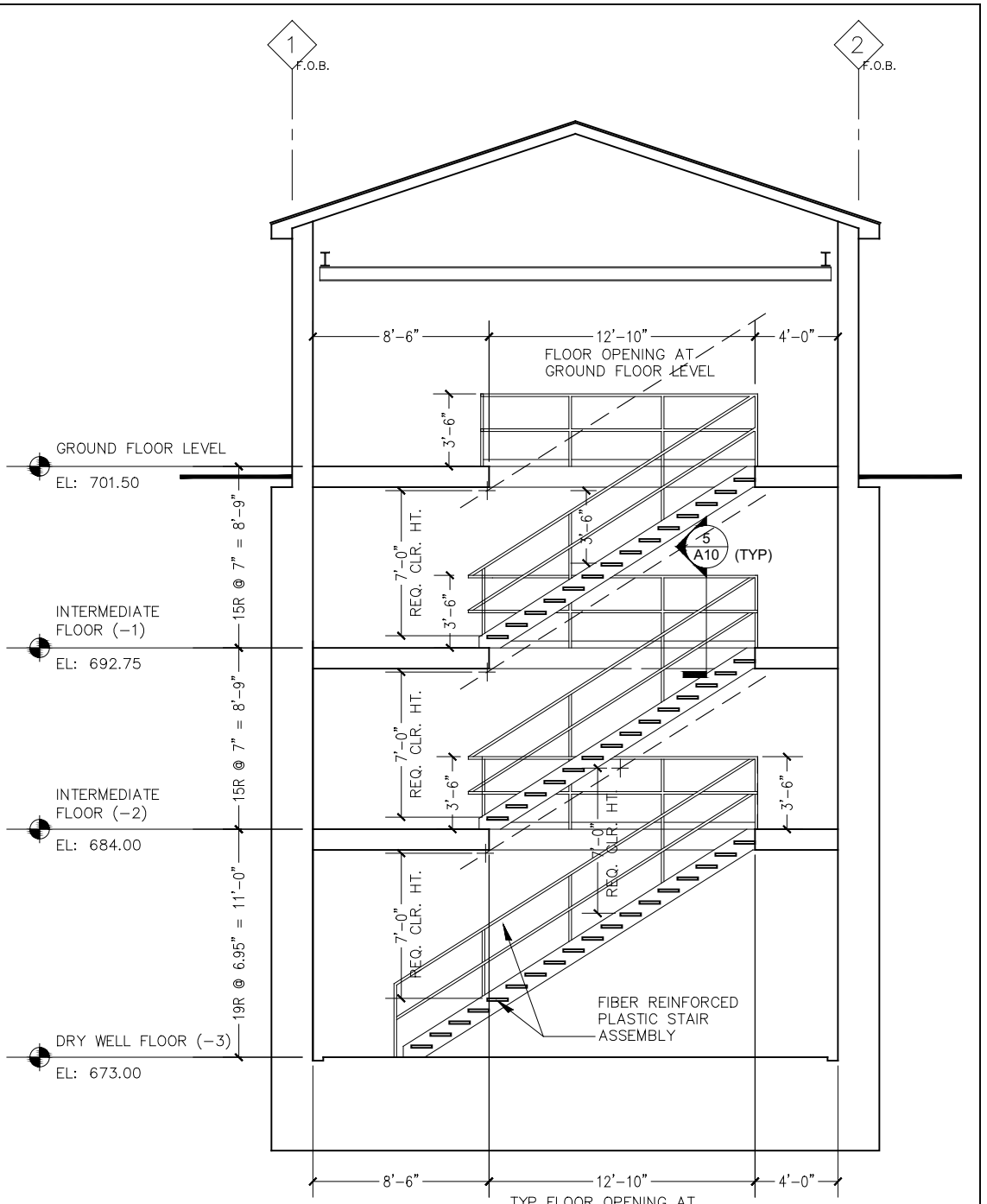


1 WELL LEVEL FLOOR PLAN (-3) – DRY EL: 673.00
SCALE: 3/8" = 1'-0"



5 STAIR SECTION
SCALE: 1/4" = 1'-0"

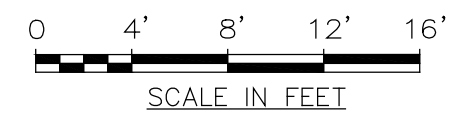
NOTE:
ALL FRP HANDRAILS & TREADS TO BE
SAFETY YELLOW U.N.O.



6 STAIR SECTION
SCALE: 1/4" = 1'-0"

NOTE:
VERIFY ALL FLOOR OPENING DIMENSIONS
WITH STRUCTURAL DRAWINGS.

STAIR DESIGN SHALL
MEET OSHA STANDARDS.



A8