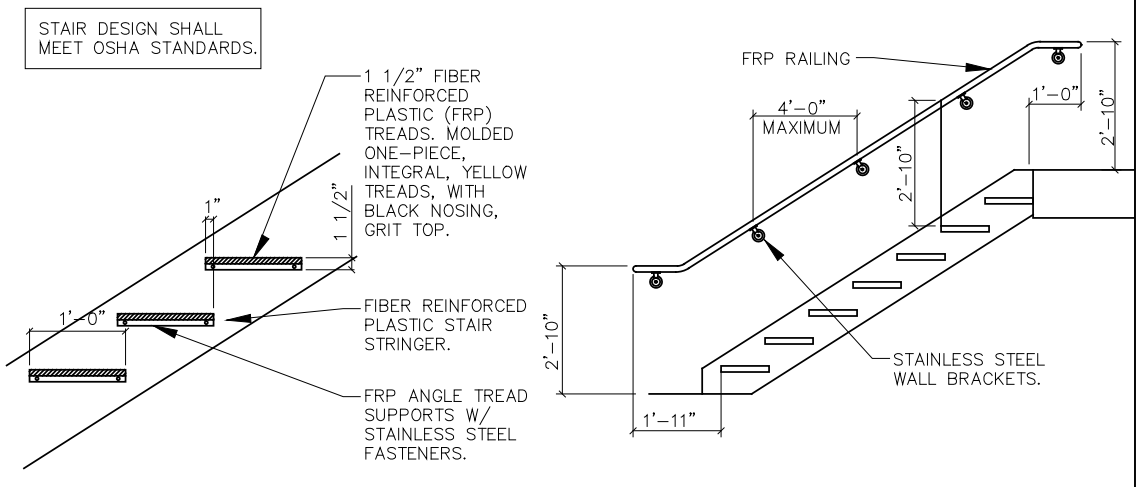


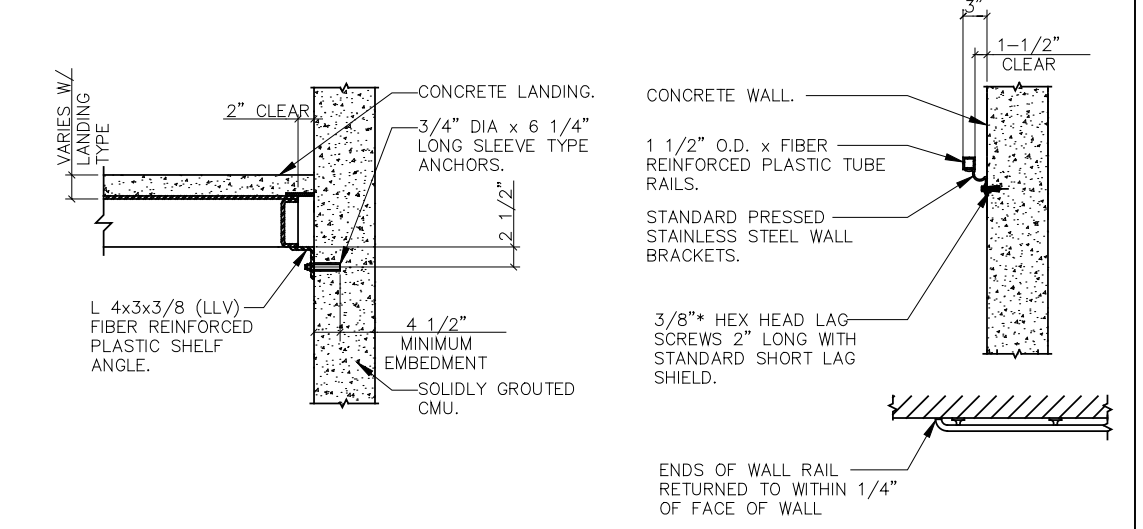
1 RAILING ELEVATIONS
SCALE: 1/4" = 1'-0"

2 RAILING ELEVATIONS
SCALE: 1/4" = 1'-0"



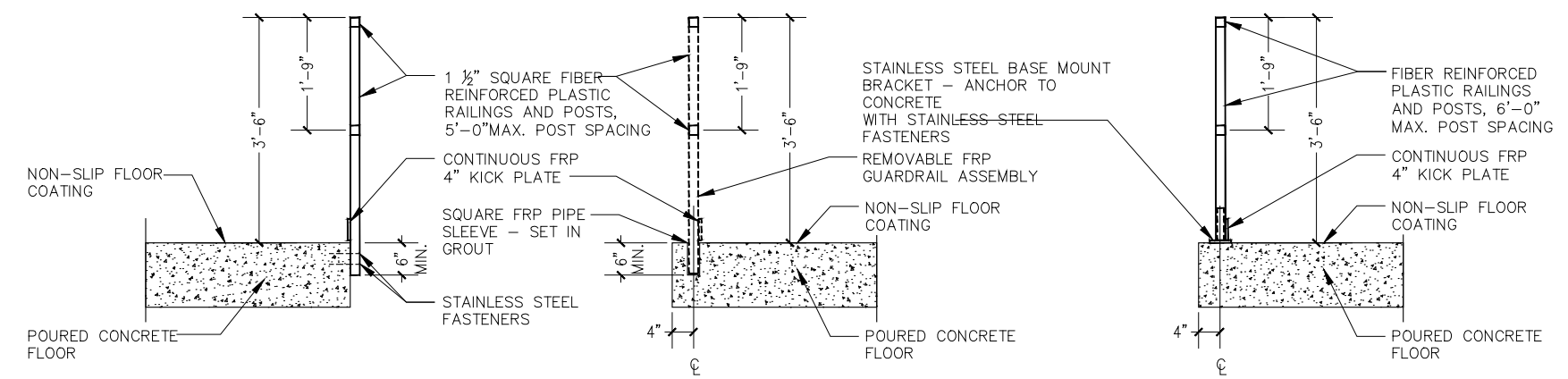
7 STAIR SECTION
SCALE: 1" = 1'-0"

6 HANDRAIL AT WALL
SCALE: NTS



9 SUPPORT SECTION
SCALE: 1" = 1'-0"

8 HANDRAIL DETAILS
SCALE: NTS

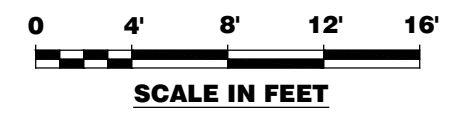


3 RAILING DETAIL
SCALE: 3/4" = 1'-0"

4 RAILING DETAIL
SCALE: 3/4" = 1'-0"

5 RAILING DETAIL
SCALE: 3/4" = 1'-0"

NOTE:
ALL FRP HANDRAILS & TREADS TO BE SAFETY YELLOW U.N.O.



A10