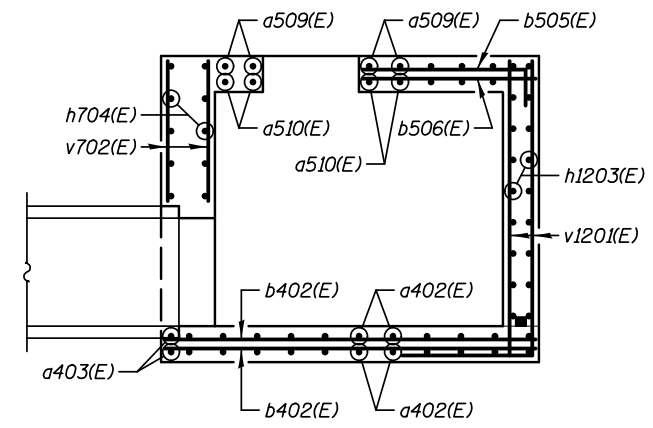


SECTION G-G



SECTION H-H

KNIGHT Engineers & Architects	DESIGNED - WPM	REVISED -	STATE OF ILLINOIS DEPARTMENT OF TRANSPORTATION	REINFORCEMENT DETAILS - SECTIONS PUMP STATION 47	F.A.P. RTE.	SECTION	COUNTY	TOTAL SHEETS	SHEET NO.
	CHECKED - TB	REVISED -			338/IL 59	2011-035-I	DUPAGE	181	99
	SCALE - NONE	REVISED -			CONTRACT NO. 60P41				
DATE - 3/22/2012	CHECKED - WPM	REVISED -	SHEET NO. SA-24 OF 34 SHEETS		ILLINOIS FED. AID PROJECT				