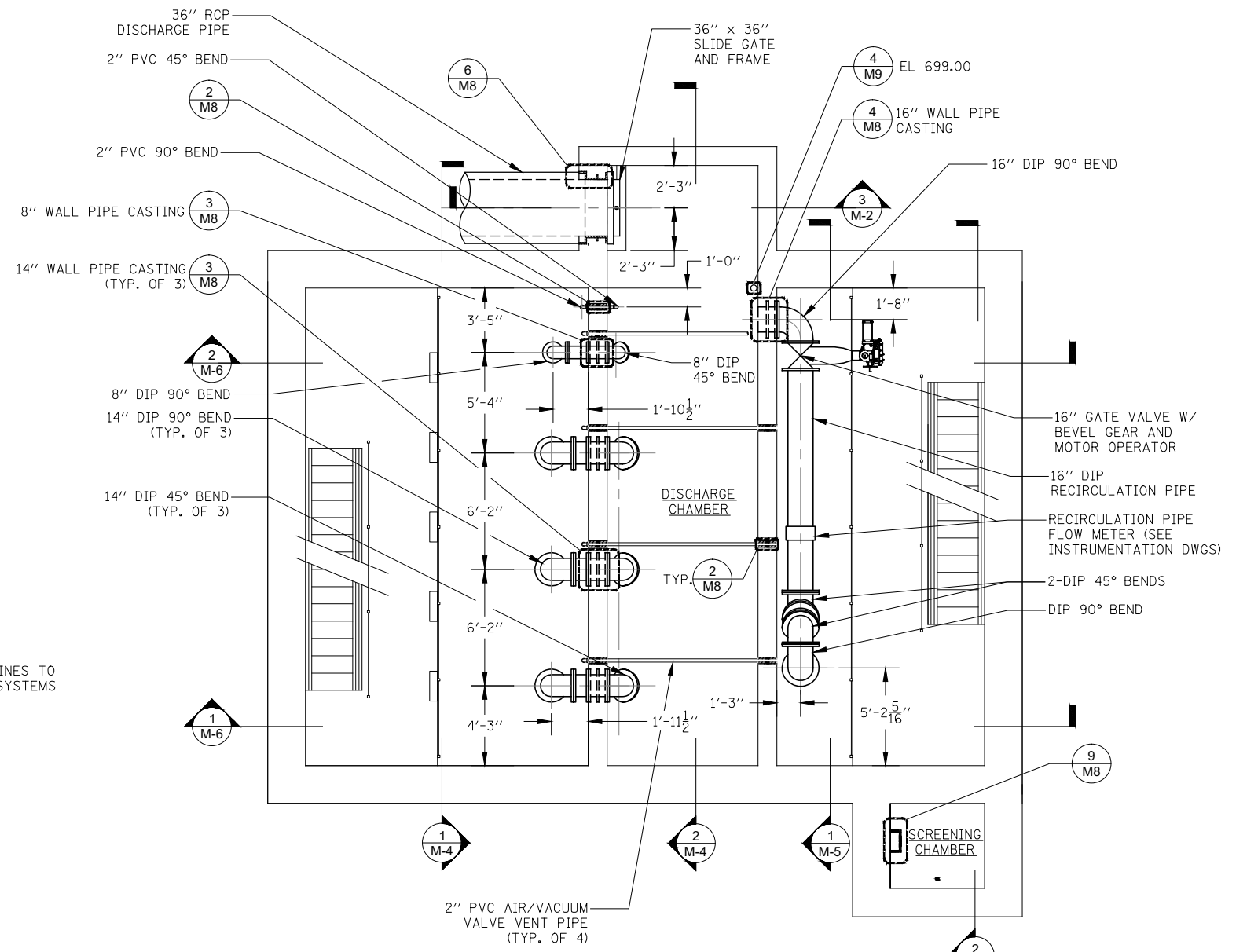
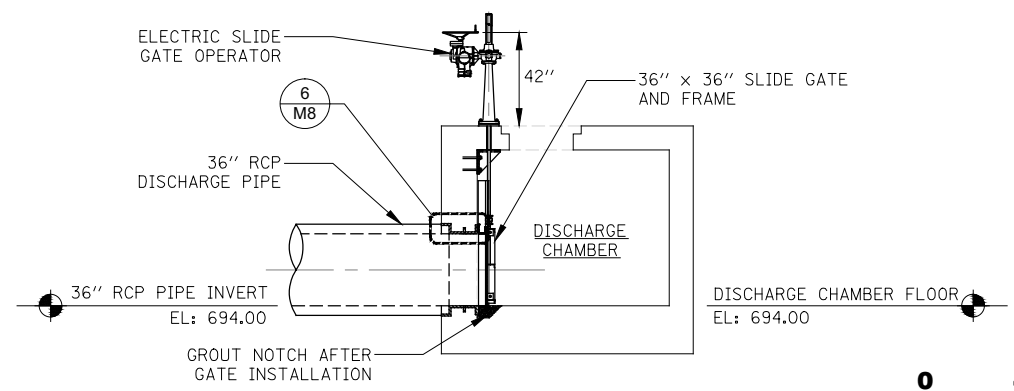


1 GROUND FLOOR PLAN - EL: 701.50
SCALE: 1/4" = 1'-0"



2 INTERMEDIATE FLOOR PLAN (-1) - EL: 692.75
SCALE: 1/4" = 1'-0"
- DISCHARGE EL: 694.00 HP



3 DISCHARGE CHAMBER SECTION
SCALE: 1/4" = 1'-0"



M2

DESIGNED	DF	REVISED	-
CHECKED	APF	REVISED	-
SCALE	DRAWN	REVISED	-
DATE	03/22/2012	CHECKED	APF
		REVISED	-

F.A.P. RTE.	SECTION	COUNTY	TOTAL SHEETS	SHEET NO.
338/IL 59	2011-035-I	DUPAGE	181	111
CONTRACT NO. 60P41			ILLINOIS FED. AID PROJECT	