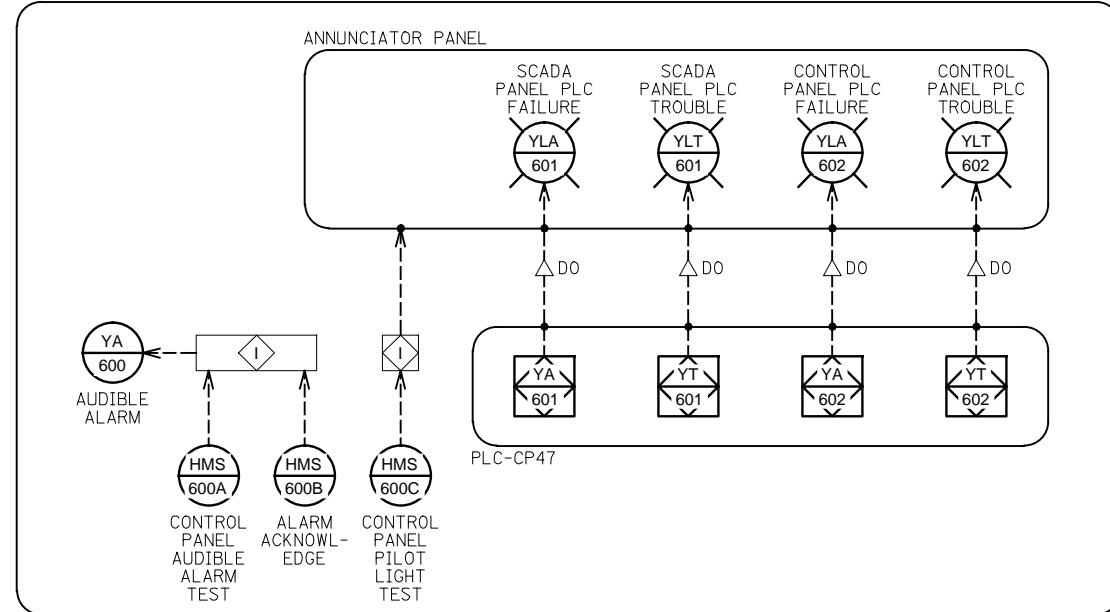
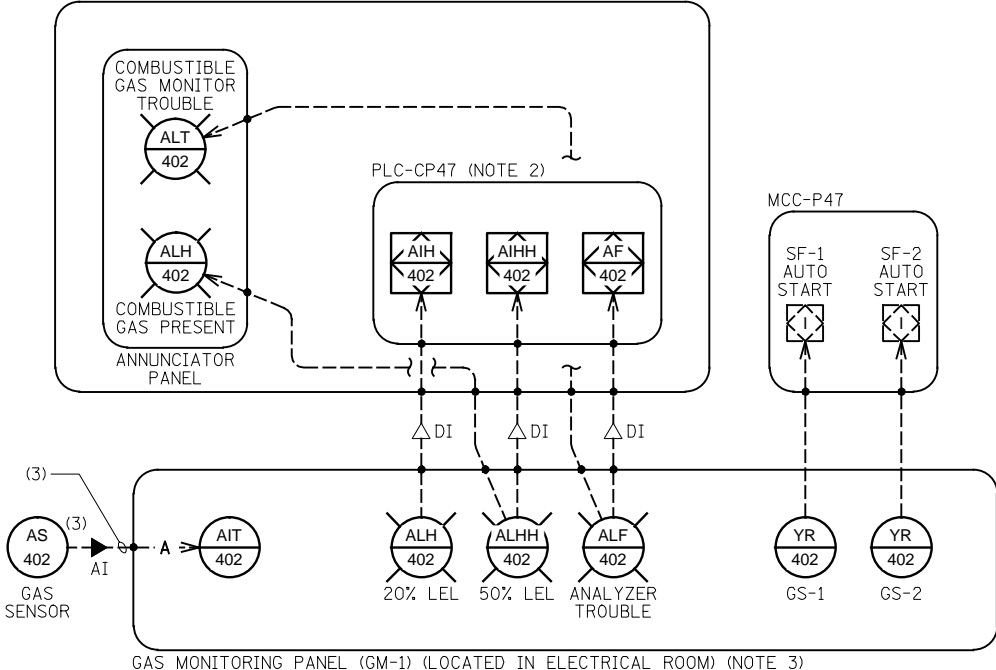


CONTROL PANEL (CP47)



1 MISCELLANEOUS CONTROL PANEL P&ID

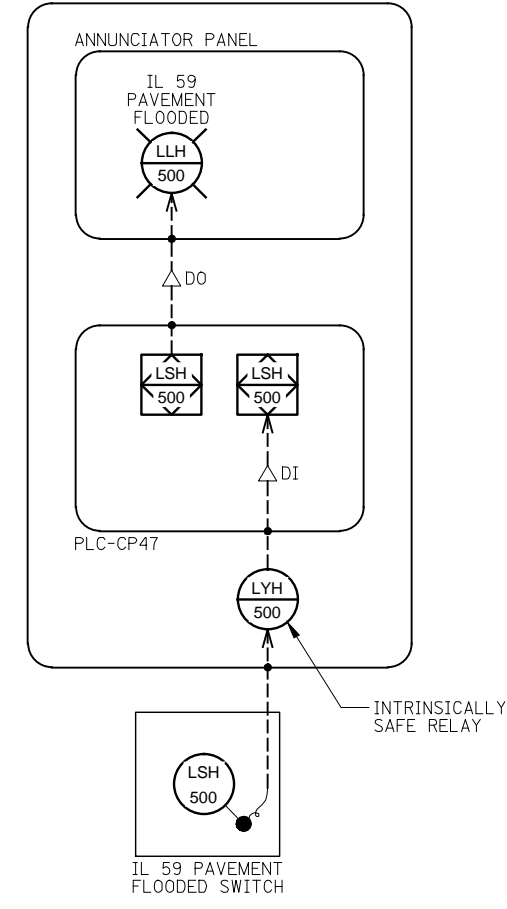
CONTROL PANEL (CP47)



2 GAS MONITORING PANEL P&ID

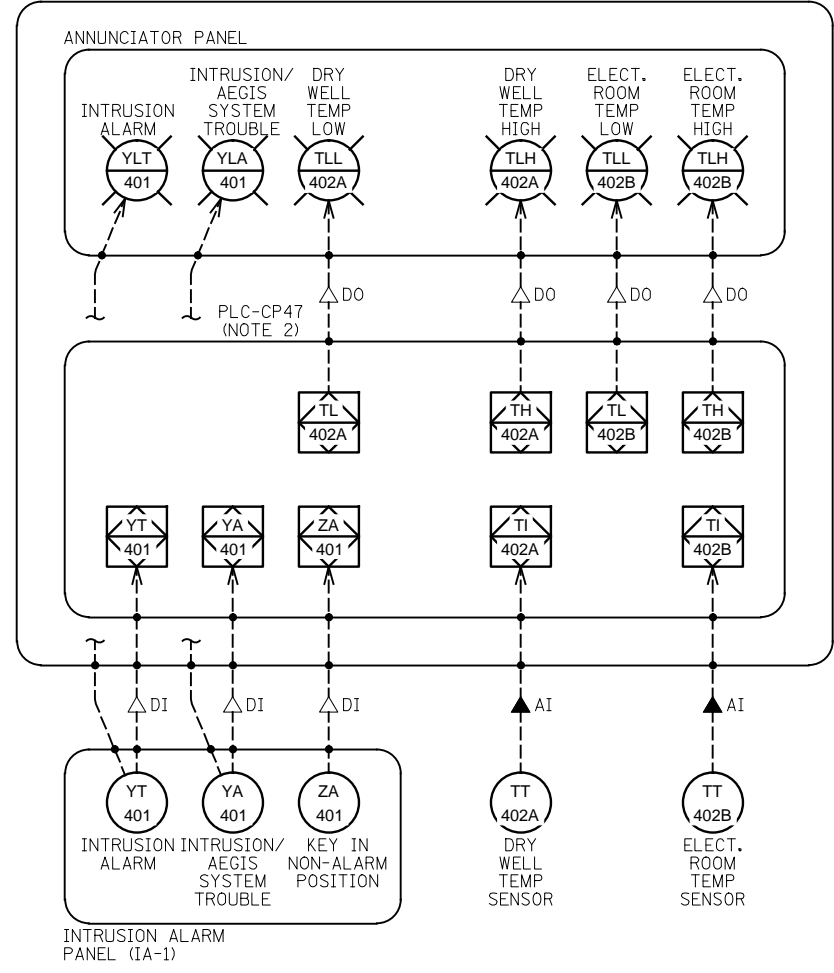
- NOTES:
- SEE SHEETS GI-1 AND GI-2 FOR INSTRUMENTATION SYMBOL LISTS, ABBREVIATIONS, AND GENERAL NOTES.
 - REFER TO SPECIFICATION SECTION 40 94 23 FOR SCADA REQUIREMENTS.
 - GAS ANALYZERS ARE LOCATED IN THE WET WELL, DRY WELL, AND DISCHARGE CHAMBER.

CONTROL PANEL (CP47)



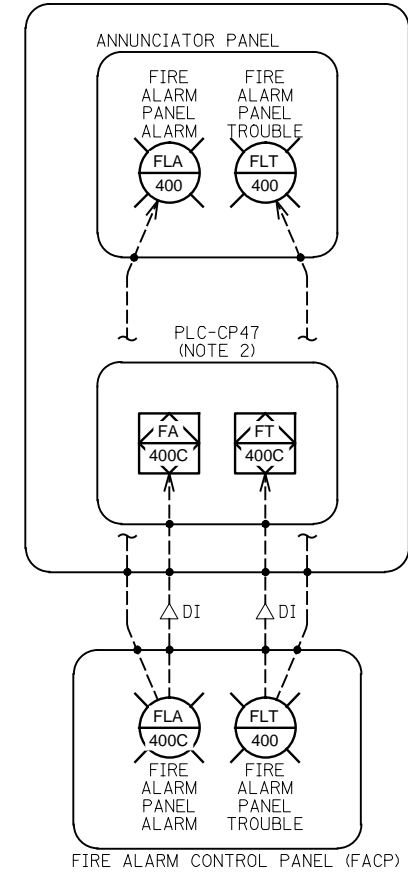
3 PAVEMENT FLOOD SYSTEM P&ID

CONTROL PANEL (CP47)



4 GENERAL BUILDING P&ID

CONTROL PANEL (CP47)



5 FIRE ALARM CONTROL PANEL (FACP) P&ID

DESIGNED	DKC	REVISED	- 4-19-2012
CHECKED	KMY	REVISED	-
SCALE	DRAWN	CJM	REVISED
DATE	03/22/2012	CHECKED	KMY

F.A.P. RTE.	SECTION	COUNTY	TOTAL SHEETS	SHEET NO.
338/IL 59	2011-035-I	DUPAGE	181	140
			CONTRACT NO. 60P41	