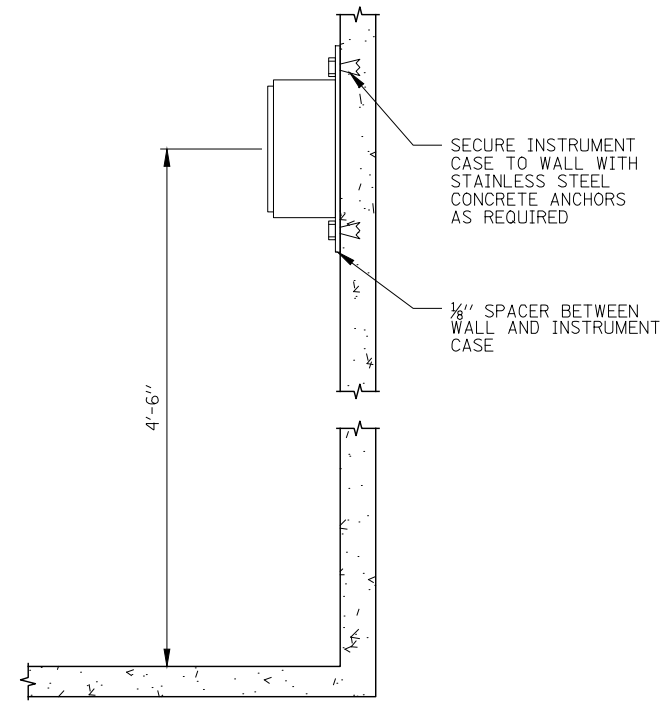
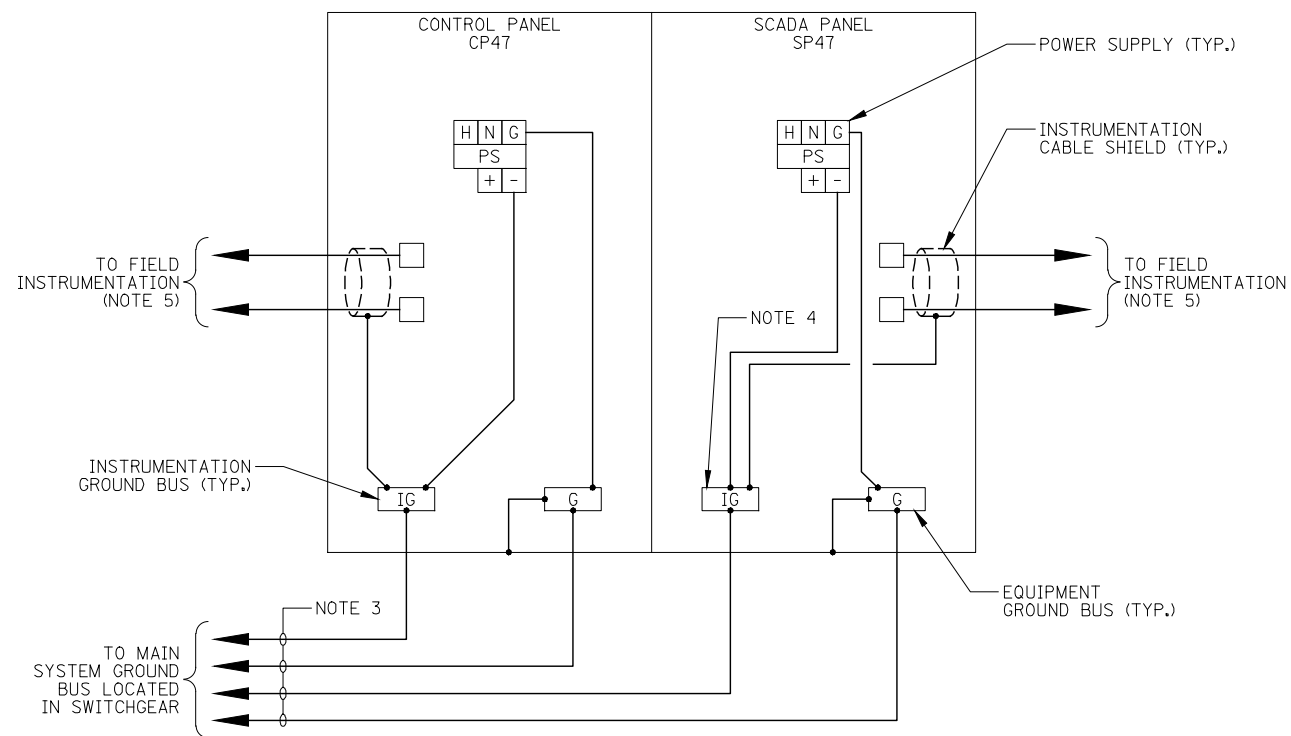


ITEM	NAMEPLATE SCHEDULE
A	PS47 PUMP METER CONTROL PANEL (PMCP47)
B	MFP-1 FLOW METER (gpm)
C	MFP-2 FLOW METER (gpm)
D	MFP-3 FLOW METER (gpm)
E	LFP-4 FLOW METER (gpm)

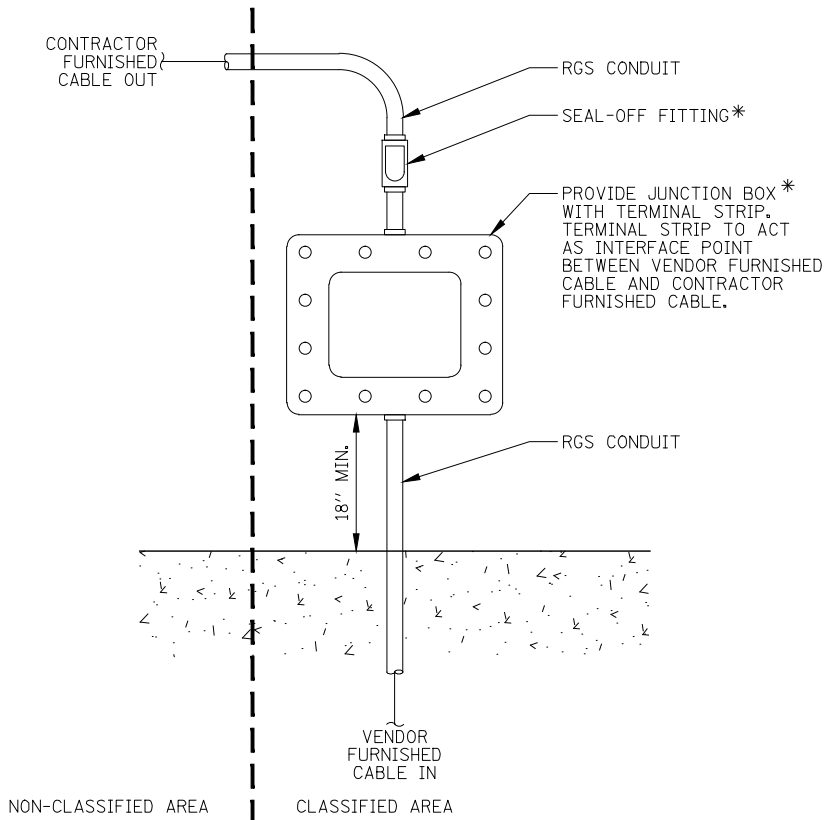
**1** PUMP METER CONTROL PANEL PMCP47 DETAIL  
NOT TO SCALE



**3** INSTRUMENTATION CASE MOUNTING DETAIL  
NOT TO SCALE



**2** CONTROL AND SCADA PANEL GROUNDING DETAIL  
NOT TO SCALE



**4** I & C JUNCTION BOX INSTALLATION DETAIL  
NOT TO SCALE

**NOTES:**

- SEE SHEETS GI-1 AND GI-2 FOR INSTRUMENTATION SYMBOL LIST, ABBREVIATIONS, AND GENERAL NOTES.
- NAMEPLATES TO BE WHITE WITH BLACK LETTERING.
- PROVIDE A #4 AWG MINIMUM GROUND WIRE. GROUND WIRE MUST BE INSULATED TO ENSURE SINGLE POINT GROUND. IG GROUND WIRE TO BE GREEN w/ YELLOW LINE FOR IDENTIFICATION PURPOSES.
- IG GROUND BUS MUST BE ISOLATED FROM CONTROL PANEL.
- CABLE SHIELD MUST NOT BE CONNECTED AT FIELD DEVICE. TERMINATE SHIELD ONLY ON INSTRUMENTATION GROUND BAR AS INDICATED.

\* PROVIDE NEMA 7 EXPLOSION-PROOF JUNCTION BOXES AND SEAL-OFF FITTINGS WHERE CLASSIFIED OR CORROSIVE LOCATIONS ARE IDENTIFIED ON DRAWINGS.