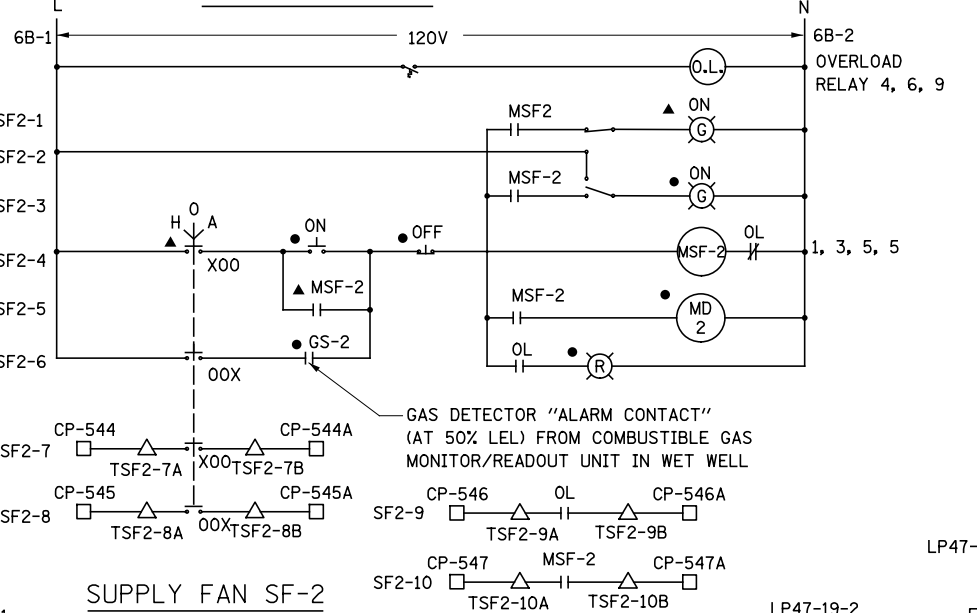
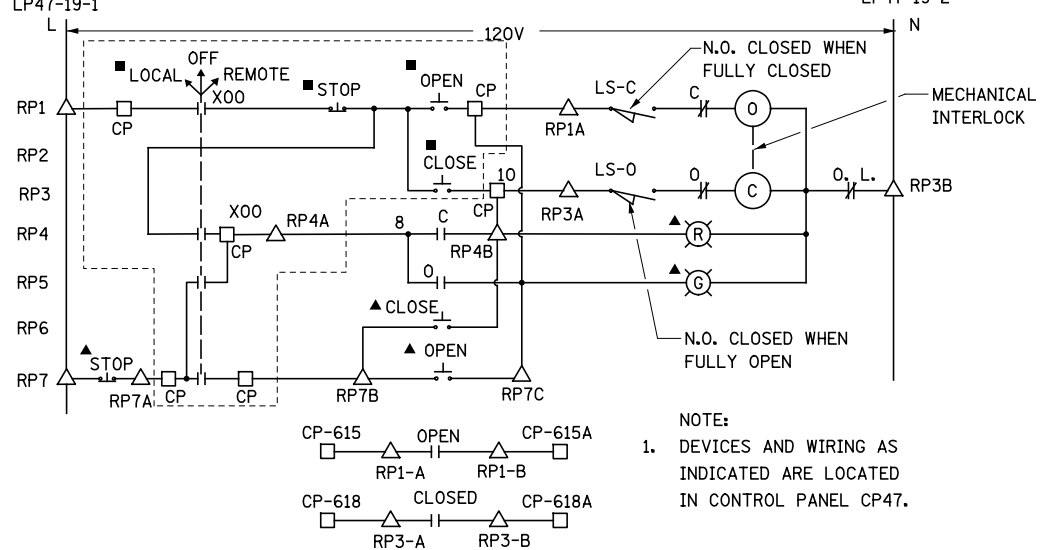


SUPPLY FAN SF-1

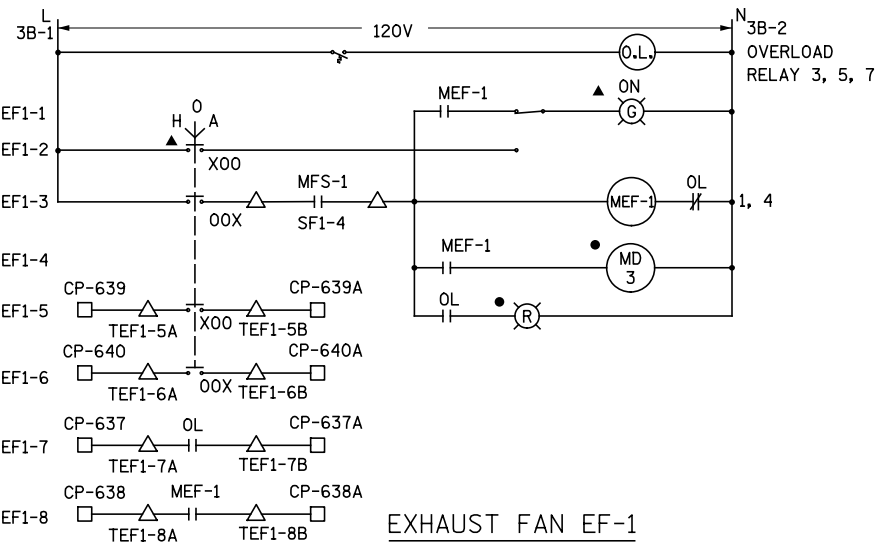


SUPPLY FAN SF-2

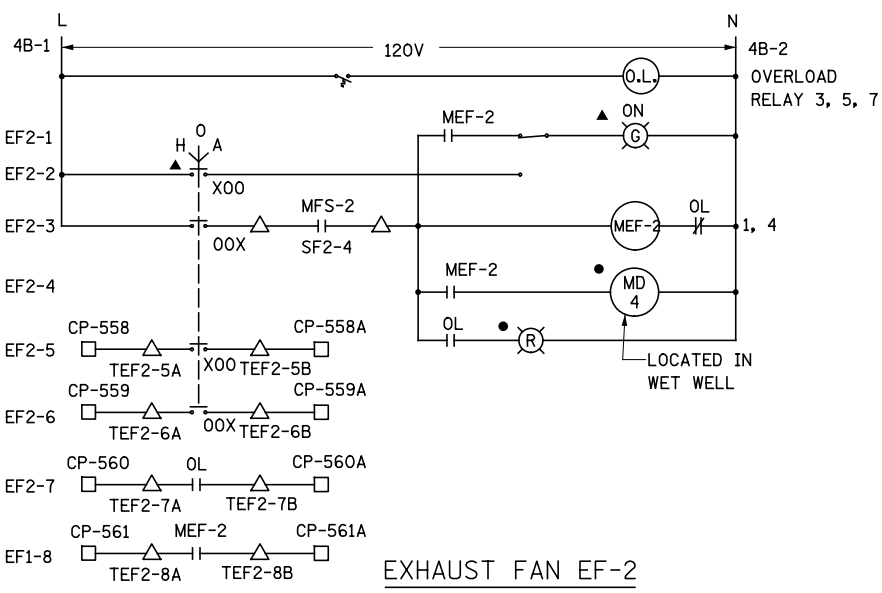


RECIRCULATING PIPE VALVE RPV-1

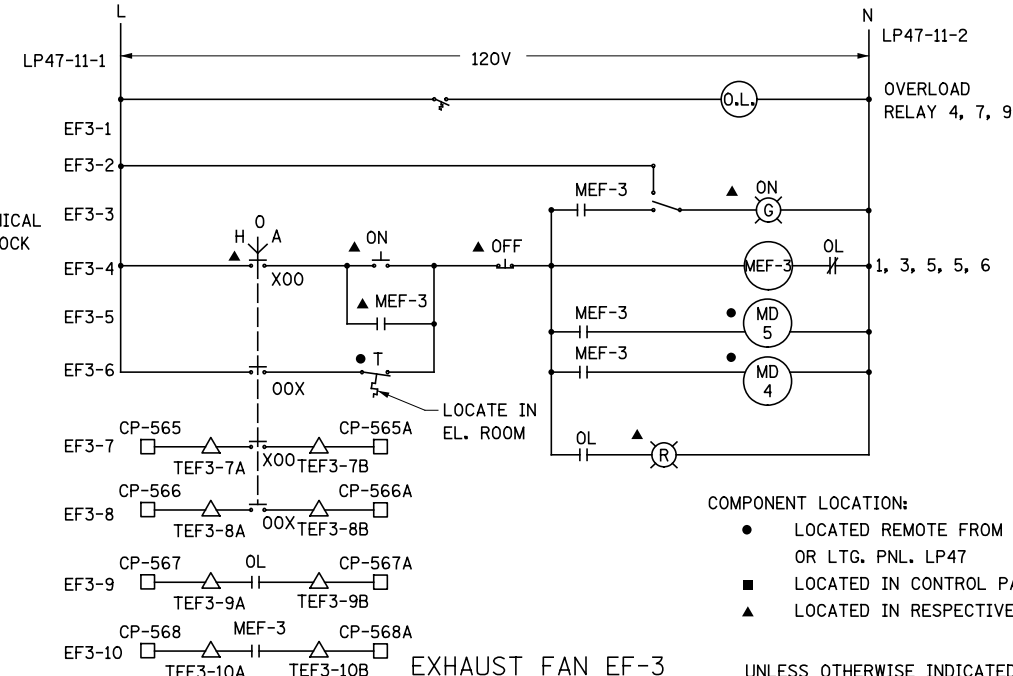
NOTE:
1. DEVICES AND WIRING AS INDICATED ARE LOCATED IN CONTROL PANEL CP47.



EXHAUST FAN EF-1



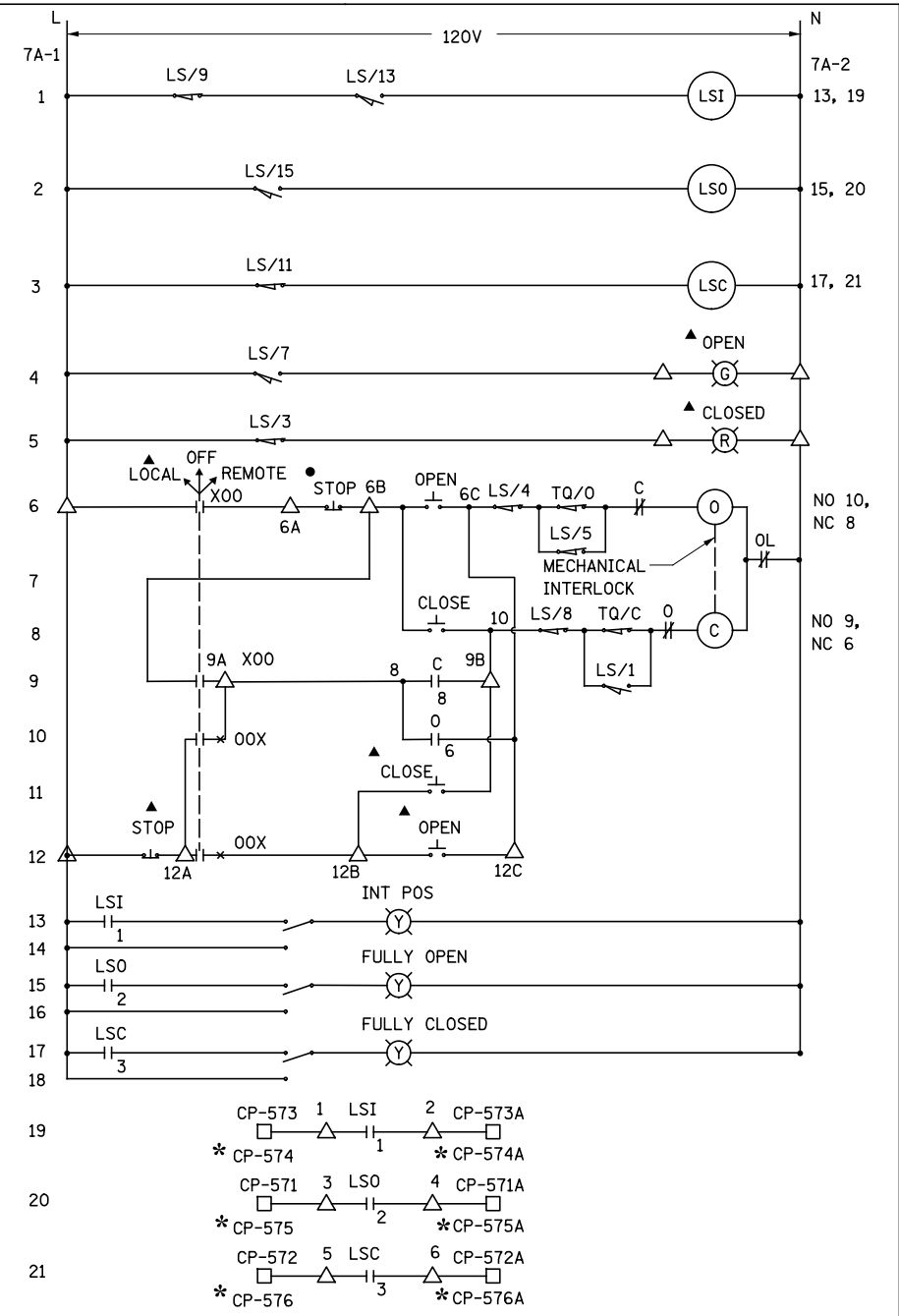
EXHAUST FAN EF-2



EXHAUST FAN EF-3 (LOCAL STARTER)

COMPONENT LOCATION:
 ● LOCATED REMOTE FROM MOTOR CONTROL PANEL P47 OR LTG. PNL. LP47
 ■ LOCATED IN CONTROL PANEL CP47
 ▲ LOCATED IN RESPECTIVE MCC STARTER DOOR

UNLESS OTHERWISE INDICATED ALL ITEMS WITHOUT FURTHER DESIGNATION SHALL BE LOCATED IN THE RESPECTIVE STARTER COMPARTMENT



SLIDE GATE SG-1 (SG-2)

NOTES:
 * INDICATES SIMILAR FOR SG-2
 1. ALL ITEMS WITHOUT DESIGNATIONS ARE INTEGRAL TO MOTOR OPERATOR
 2. INTRINSICALLY SAFE RELAYS MUST BE PROVIDED