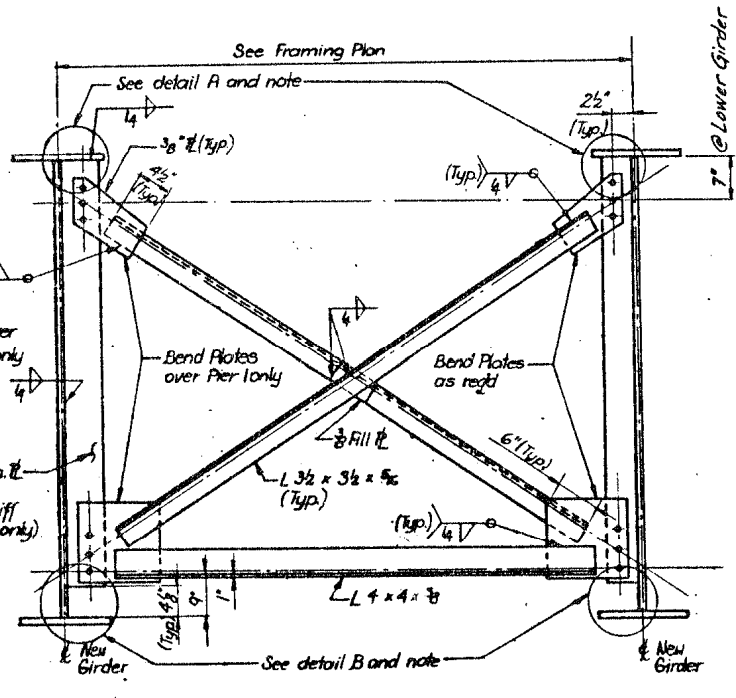
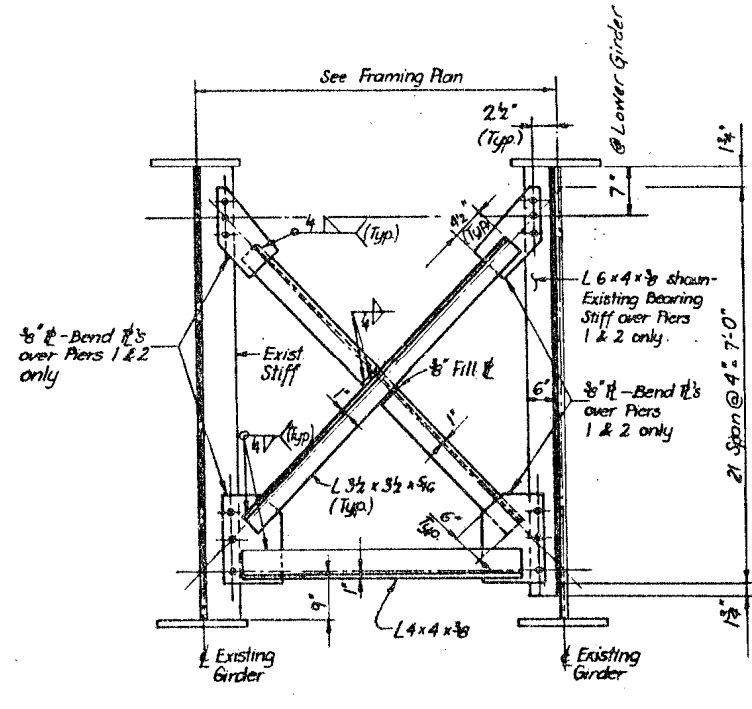


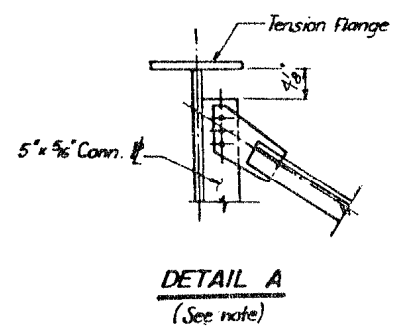
**CF 10**  
**INTERIOR CROSS FRAME**



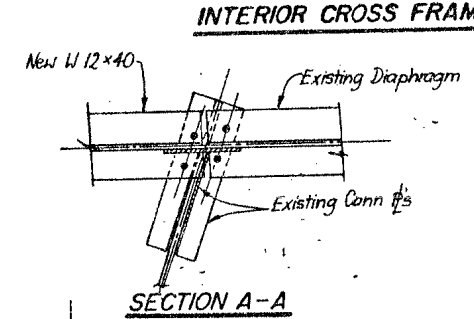
**CF 11**  
**INTERIOR CROSS FRAME**



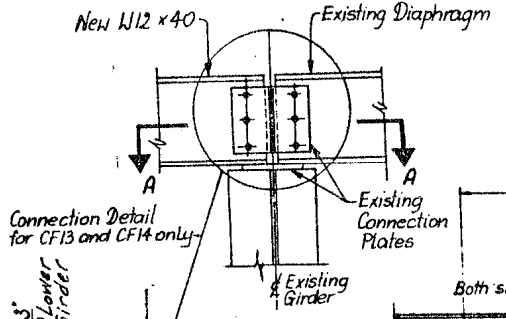
**CF 12**  
**INTERIOR CROSS FRAME**  
LOOKING SOUTHBOUND



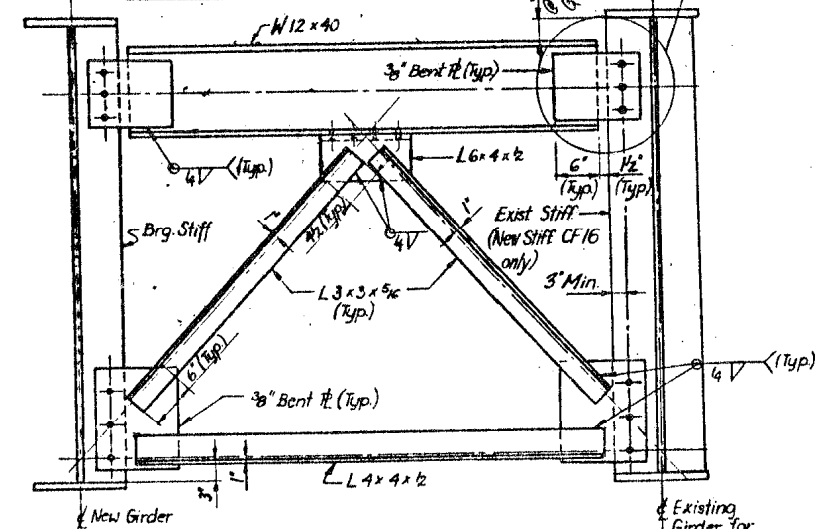
**DETAIL A**  
(See note)



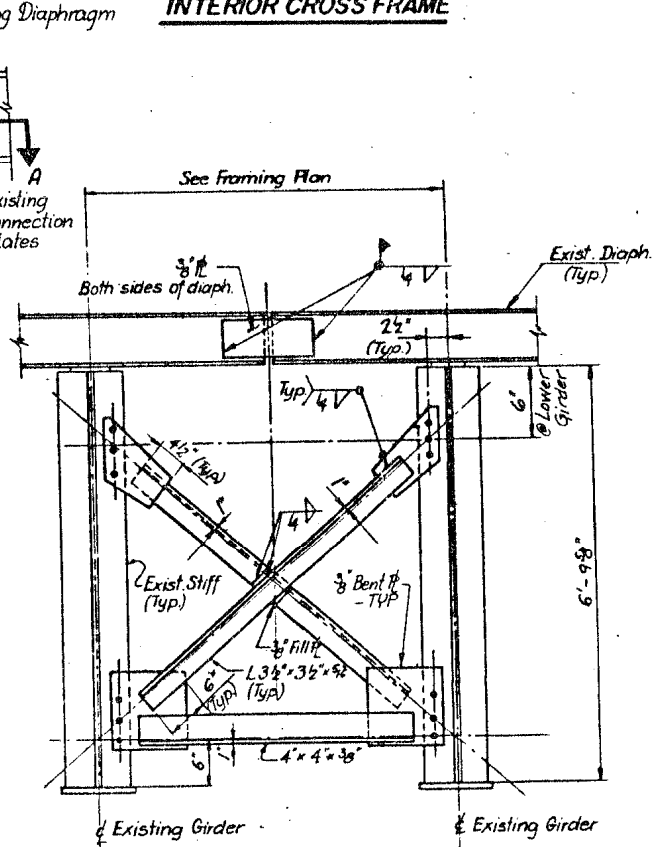
**SECTION A-A**



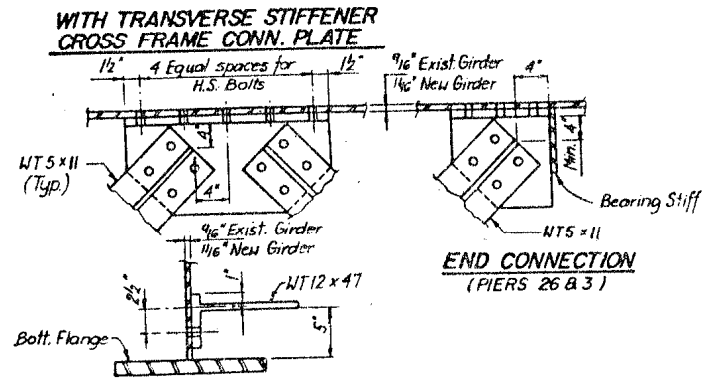
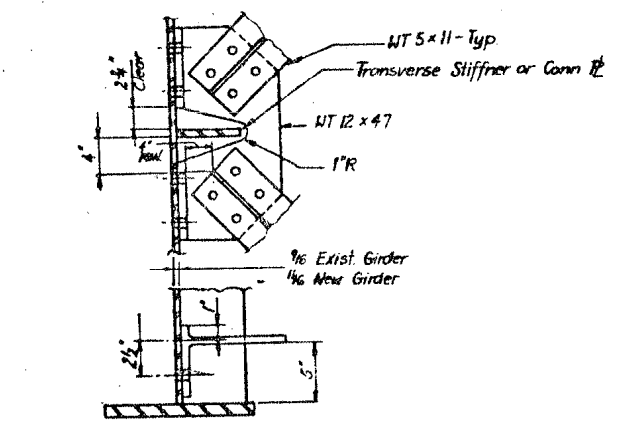
Connection Detail for CF13 and CF14 only



**CF 16**  
**CF 13**  
**CF 14 (OPP. HAND)**  
**END CROSS FRAME**  
LOOKING TOWARD PIER



**CF 15**  
**END CROSS FRAME**  
LOOKING TOWARD PIER

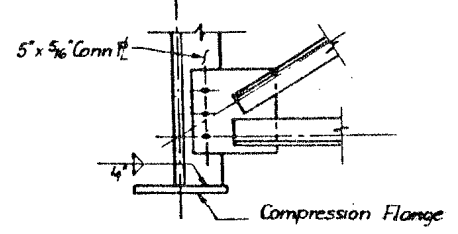


**WITH TRANSVERSE STIFFENER CROSS FRAME CONN. PLATE**

**WITHOUT CROSS FRAME CONN. PLATE**

**END CONNECTION (PIERS 26 & 3)**

**BOTTOM LATERAL CONNECTIONS**  
(All bolts to be 3/4" H.S.)



**DETAIL B**  
(See note)

Note: Details A and B are for cross frames in the compression flange bottom regions only. See girder elevations for location of compression flanges.

FILE NAME =  
USER NAME = aread  
DESIGNED - AMR  
DRAWN - AMR  
PLOT SCALE = 2.0000' / IN.  
PLOT DATE = 3/29/2012

DESIGNED - AMR  
DRAWN - AMR  
CHECKED - JMH  
DATE - MARCH, 2012

REVISED -  
REVISED -  
REVISED -  
REVISED -

**STATE OF ILLINOIS**  
**DEPARTMENT OF TRANSPORTATION**

**CROSS FRAME DETAILS - LOCATION 1**  
**STRUCTURE NO. 016-1116**

SCALE: NTS SHEET NO. 8 OF 15 SHEETS STA. TO STA.

F.A.I. R.E. 90/94	SECTION 2011-057-BP	COUNTY COOK	TOTAL SHEETS 98	SHEET NO. 14
CONTRACT NO. 60P73			ILLINOIS FED. AID PROJECT	