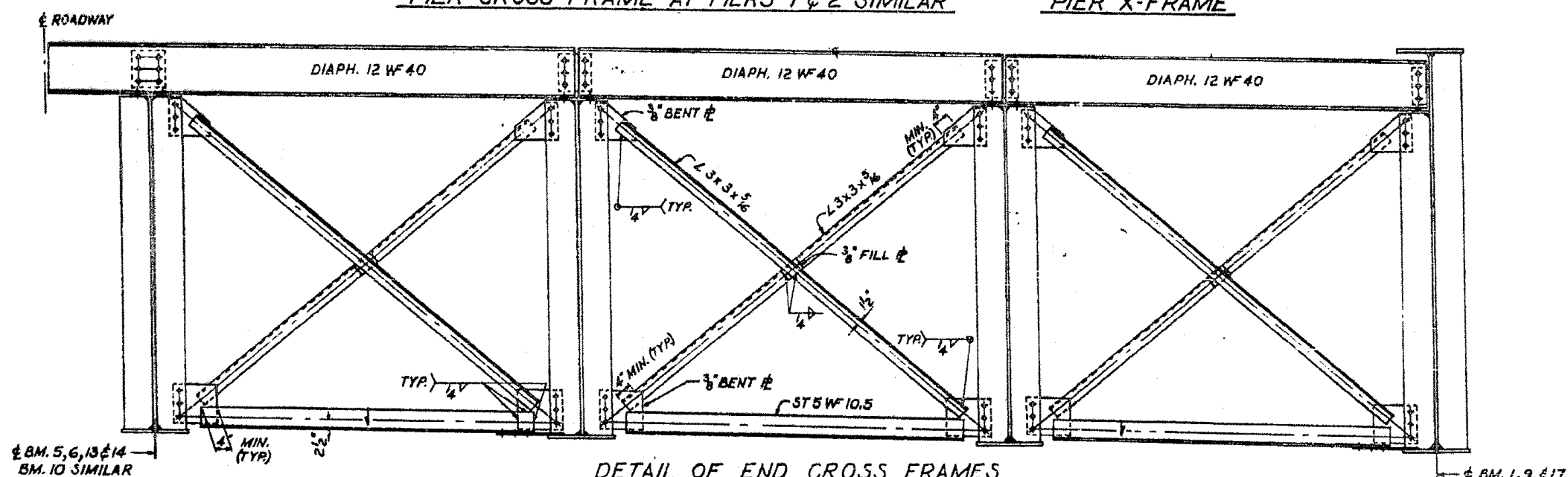
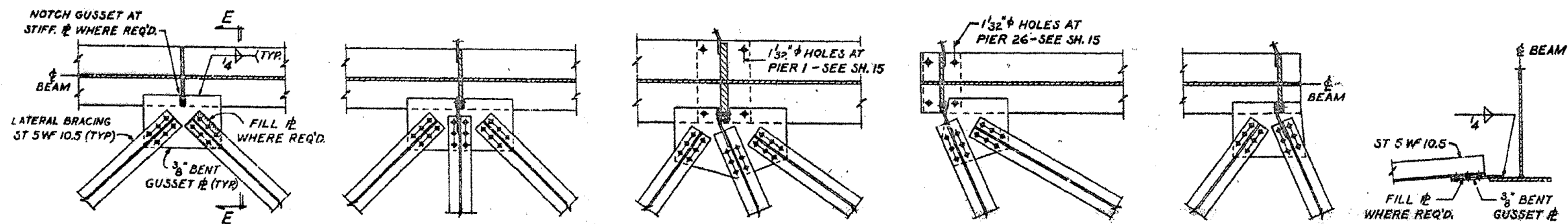


PIER CROSS FRAME AT PIERS 1 & 2 SIMILAR

SECTION D-D
PIER X-FRAME



DETAIL OF END CROSS FRAMES
PIER 26 AND PIER 3



BETWEEN X-FRAMES

INTERMEDIATE X-FRAME

PIER X-FRAME

PIER 1 SHOWN - PIER 2 SIMILAR

END X-FRAME

PIER 26 SHOWN - PIER 3 SIMILAR

END X-FRAME

PIER 3 SHOWN - PIER 26 SIMILAR

SECTION E-E

LATERAL BRACING CONNECTIONS

FILE NAME =	USER NAME = aread	DESIGNED - AMR	REVISED -
		DRAWN - AMR	REVISED -
		CHECKED - JMH	REVISED -
		DATE - MARCH, 2012	REVISED -

STATE OF ILLINOIS
DEPARTMENT OF TRANSPORTATION

CROSS FRAME DETAILS - LOCATION 1
STRUCTURE NO. 016-1116

SCALE: NTS SHEET NO. 9 OF 15 SHEETS STA. TO STA.

F.A.I. RTE. 90/94	SECTION 2011-057-BP	COUNTY COOK	TOTAL SHEETS 98	SHEET NO. 15
CONTRACT NO. 60P73			ILLINOIS FED. AID PROJECT	