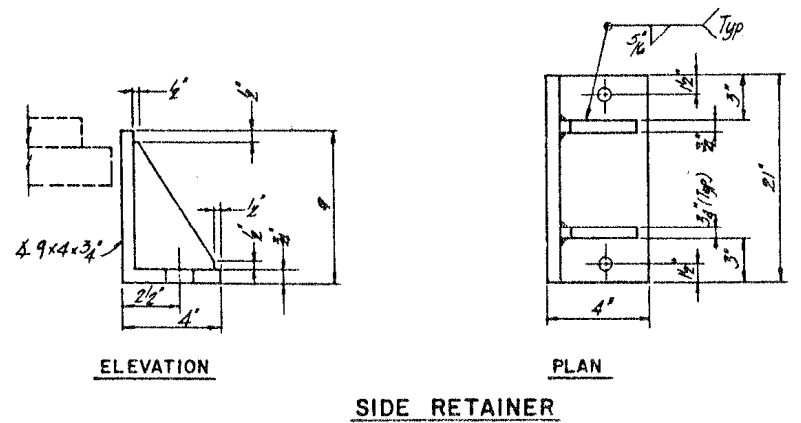


Notes: 1. H_b - Height of Bearing Assembly
 H_b - Height of Bolster Assembly including 8" Lead Plate.



BOLSTER SCHEDULE

STRUCTURE NO.	PIER LOCATION	GIRDER NO.	NO. REQ'D	BRG. TYPE	REMARKS
016-1116	1	GN-2, GN-3, GN-4	5	II	

FILE NAME =	USER NAME = aread	DESIGNED - AMR	REVISED -
		DRAWN - AMR	REVISED -
		CHECKED - JMH	REVISED -
		DATE - MARCH, 2012	REVISED -

**STATE OF ILLINOIS
DEPARTMENT OF TRANSPORTATION**

**TYPE II BEARING BOLSTER DETAILS - LOCATION 1
STRUCTURE NO. 016-1116**

F.A.I. RTE. 90/94	SECTION 2011-057-BP	COUNTY COOK	TOTAL SHEETS 98	SHEET NO. 17
SCALE: NTS			CONTRACT NO. 60P73	
SHEET NO. 11 OF 15 SHEETS		STA.	TO STA.	

ILLINOIS FED. AID PROJECT