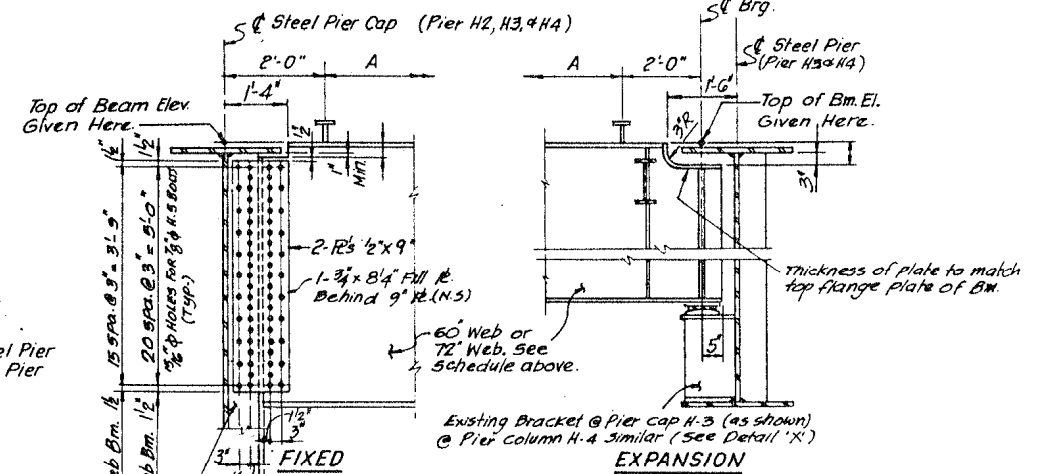
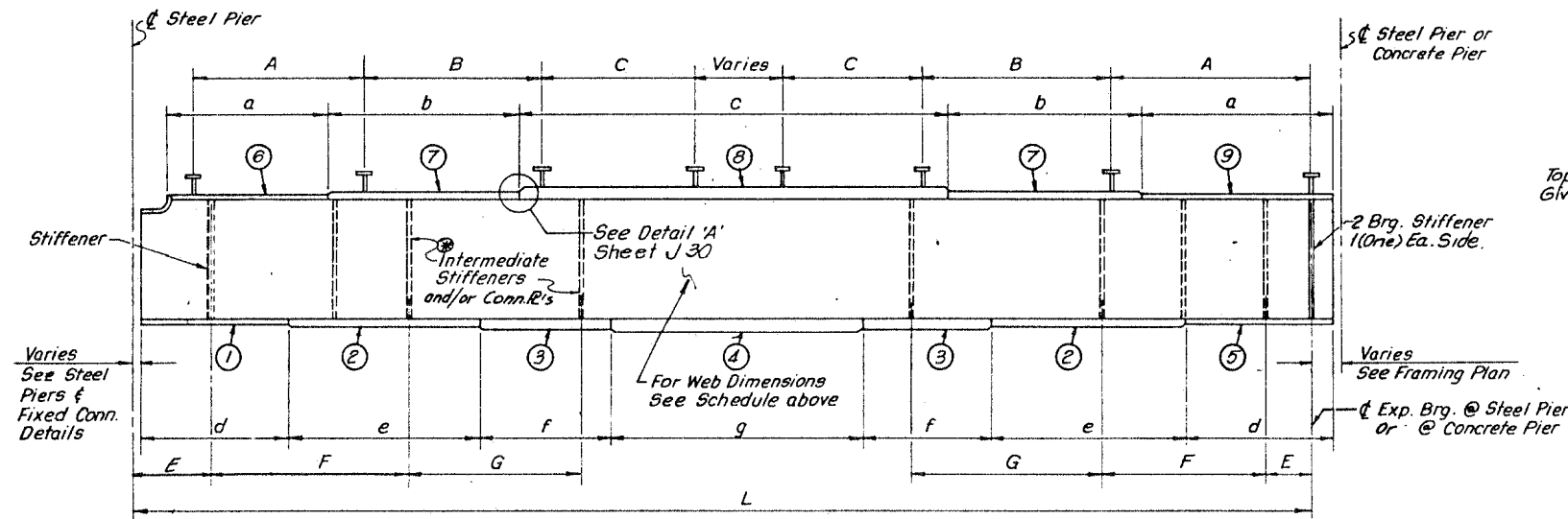


WELDED PLATE BEAM SCHEDULE

SPAN	BEAM	L (@ BRG. TO @ BRG.)	TOP OF BEAM ELEVATIONS AT @ BEARINGS		WEB	FLANGE PLATES									THICKNESS OF FILLET WELD							BRG. STIFF.	INTERMEDIATE STIFFENERS			SHEAR STUD SPACINGS			STUDS PER BEAM	DEFLECTION						
			PIER NO.	ELEV.		PIER NO.	ELEV.	①	②	③	④	⑤	⑥	⑦	⑧	⑨	a	b	c	d	e		f	g	SIZE	SPACING				A	B	C	STUDS PER BEAM	Δ	Δ/4	
																										E	F	G								
MAINLINE	20	GN-1	89'-10 ⁵ / ₈ "	19	51.855	20	52.688	7/16" x 48"	16 ⁵ / ₈ " x 12'-6 ³ / ₈ "	16 ⁵ / ₈ " x 12'-0"	16 ⁵ / ₈ " x 2'-20'-0"	—	16 ⁵ / ₈ " x 11'-9 ³ / ₈ "	16 ⁵ / ₈ " x 14'-6 ³ / ₈ "	16 ⁵ / ₈ " x 1'-30'-0"	—	16 ⁵ / ₈ " x 13'-9 ³ / ₈ "	5/16"	5/16"	—	5/16"	5/16"	3/8"	—	7 ¹ / ₂ " x 5/8"	5 ¹ / ₂ " x 5/8"	2'-0"	3@6'-0"	—	4	14@12"	14@15"	7@18"	288	1 ³ / ₁₆ "	7/8"
	21	GN-1	89'-10 ⁵ / ₈ "	20	52.711	21	53.899	7/16" x 48"	16 ⁵ / ₈ " x 12'-6 ³ / ₈ "	16 ⁵ / ₈ " x 12'-0"	16 ⁵ / ₈ " x 2'-20'-0"	—	16 ⁵ / ₈ " x 13'-0 ³ / ₈ "	16 ⁵ / ₈ " x 14'-6 ³ / ₈ "	16 ⁵ / ₈ " x 1'-30'-0"	—	16 ⁵ / ₈ " x 15'-0 ³ / ₈ "	5/16"	5/16"	—	5/16"	5/16"	3/8"	—	7 ¹ / ₂ " x 5/8"	5 ¹ / ₂ " x 5/8"	2'-0"	3@6'-0"	—	4	16@12"	13@15"	7@18"	296	1 ³ / ₁₆ "	7/8"
	22	GN-1	88'-7 ³ / ₈ "	21	53.911	22	55.686	7/16" x 48"	16 ⁵ / ₈ " x 12'-6 ³ / ₈ "	16 ⁵ / ₈ " x 12'-0"	16 ⁵ / ₈ " x 2'-20'-0"	—	16 ⁵ / ₈ " x 11'-9 ³ / ₈ "	16 ⁵ / ₈ " x 14'-6 ³ / ₈ "	16 ⁵ / ₈ " x 1'-30'-0"	—	16 ⁵ / ₈ " x 13'-9 ³ / ₈ "	5/16"	5/16"	—	5/16"	5/16"	3/8"	—	7 ¹ / ₂ " x 5/8"	5 ¹ / ₂ " x 5/8"	2'-0"	3@6'-0"	—	4	14@12"	14@15"	7@18"	288	1 ³ / ₁₆ "	7/8"
	23	GN-1	89'-10 ⁵ / ₈ "	22	55.698	23	57.168	7/16" x 48"	16 ⁵ / ₈ " x 12'-6 ³ / ₈ "	16 ⁵ / ₈ " x 12'-0"	16 ⁵ / ₈ " x 2'-20'-0"	—	16 ⁵ / ₈ " x 13'-0 ³ / ₈ "	16 ⁵ / ₈ " x 14'-6 ³ / ₈ "	16 ⁵ / ₈ " x 1'-30'-0"	—	16 ⁵ / ₈ " x 15'-0 ³ / ₈ "	5/16"	5/16"	—	5/16"	5/16"	3/8"	—	7 ¹ / ₂ " x 5/8"	5 ¹ / ₂ " x 5/8"	2'-0"	3@6'-0"	—	4	16@12"	13@15"	7@18"	296	1 ³ / ₁₆ "	7/8"

All Webs & Plates ① ② ③ ④ ⑤ to be N.T.R.



CONNECTION PLATE
 For GH-1 span H3 (Exist.)
 For GH-1 span H4 (Exist.)
 For GH-1 span H5 with bevelled 3/4" Fill Plate (New) see detail. (Exist.)
 New 9" x 8" Connection R. for relocated in spans 5
 Girder ①. 3/8" Fillet weld each side of new
 connection plate. Weld plate to top flange
 tight fit @ bottom.
 For GH-2 in span H5 (Exist.)
 In this case connection R.
 connected to Pier column
 (See Detail 'X')

