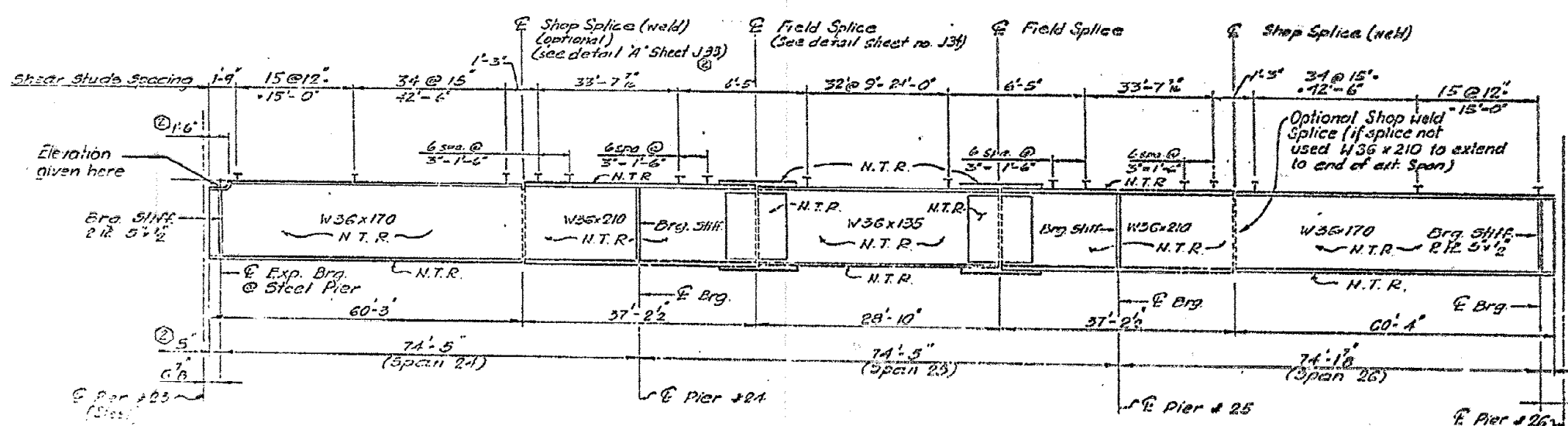


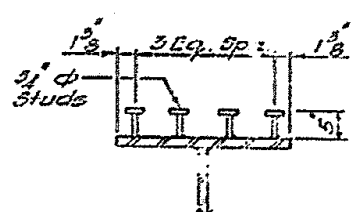
SECTION 9-9

PLATE GIRDER GS-1 ELEVATION-SPANS 20 TO 23

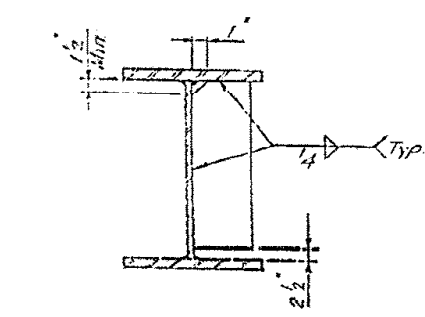
N.T.R. Notch Toughness Requirement



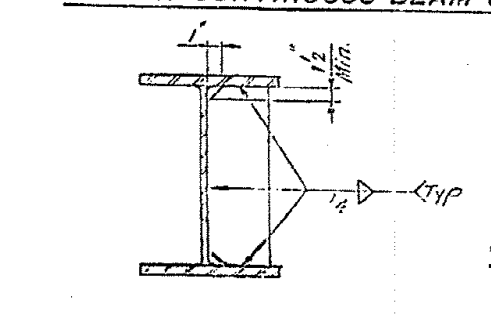
3 SPAN CONTINUOUS BEAM GS-1 ELEVATION



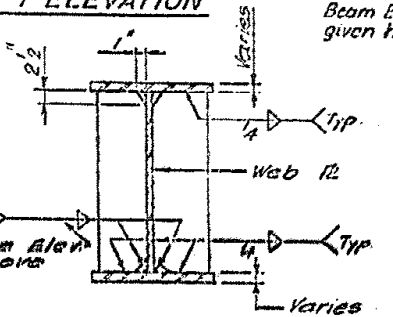
SECTION A-A (TYPICAL)



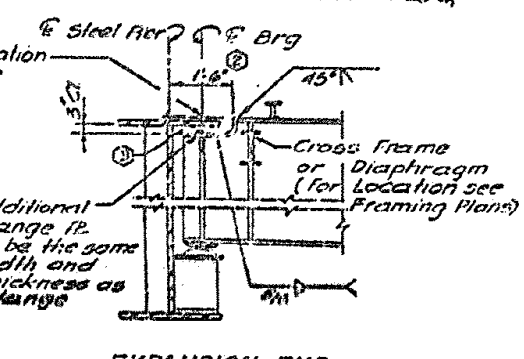
SECTION AT INTERMED. STIFFENER



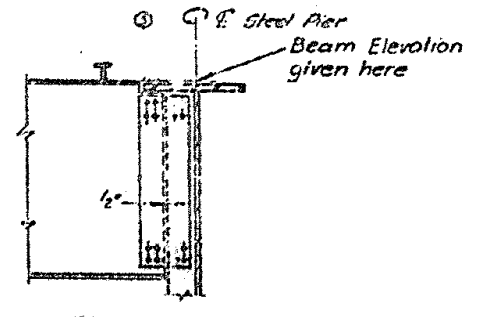
SECTION AT INTERMED. STIFF. AT CONN. # NEAR SUPPORT



SECTION AT BEARING STIFFENER



EXPANSION END END DETAIL AT STEEL PIERS



FIXED END

FILE NAME :

USER NAME : aread	DESIGNED - AMR	REVISED -
PLOT SCALE = 2.0000' / IN.	DRAWN - AMR	REVISED -
PLOT DATE = 3/29/2012	CHECKED - JMH	REVISED -
	DATE - MARCH, 2012	REVISED -

**STATE OF ILLINOIS
DEPARTMENT OF TRANSPORTATION**

GIRDER ELEVATIONS 3 - LOCATION 2	
STRUCTURE NO. 016-1117	
SCALE: NTS	SHEET NO. 28 OF 39 SHEETS
STA.	TO STA.

F.A.I. RTE. 90/94	SECTION 2011-057-BP	COUNTY COOK	TOTAL SHEETS 98	SHEET NO. 49
CONTRACT NO. 60P73				ILLINOIS FED. AID PROJECT