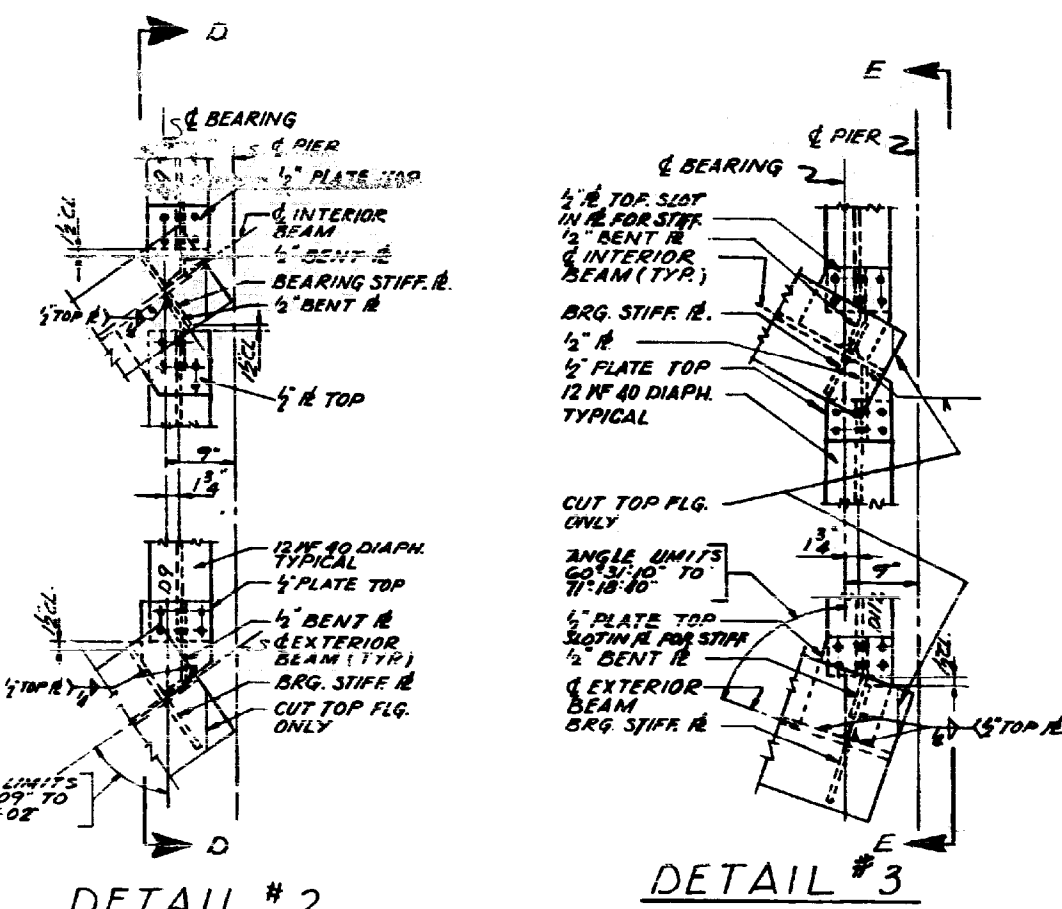
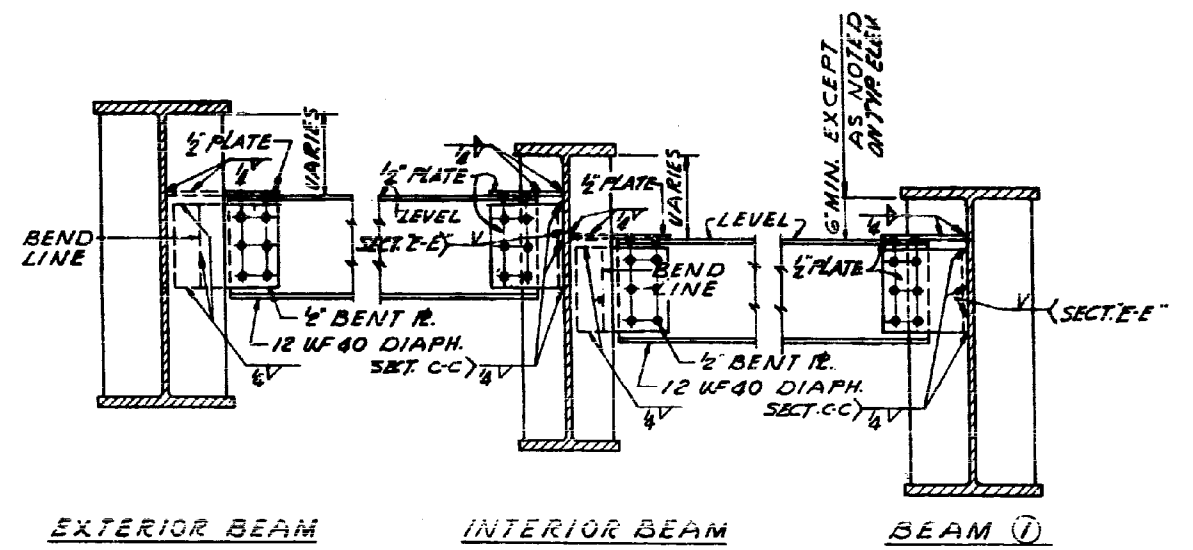


DETAIL #1

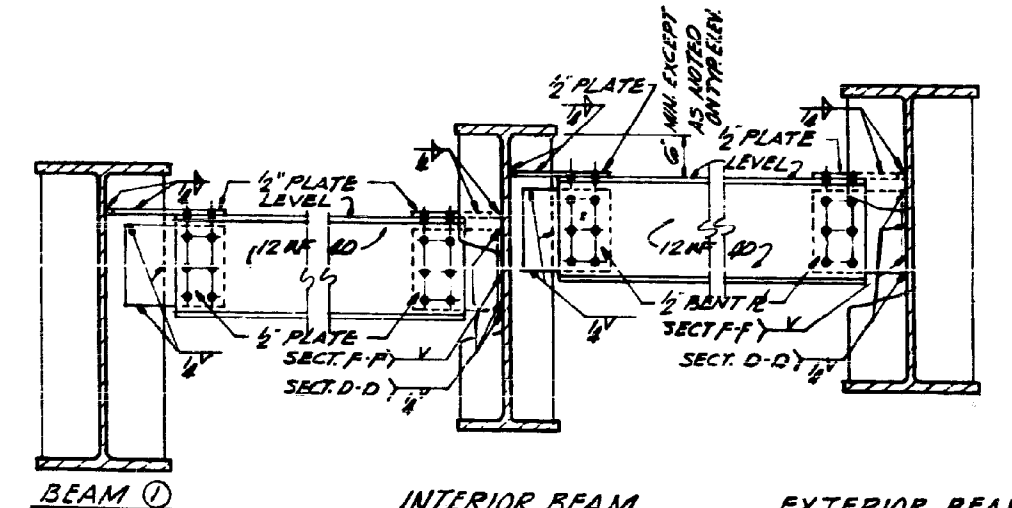


DETAIL #2

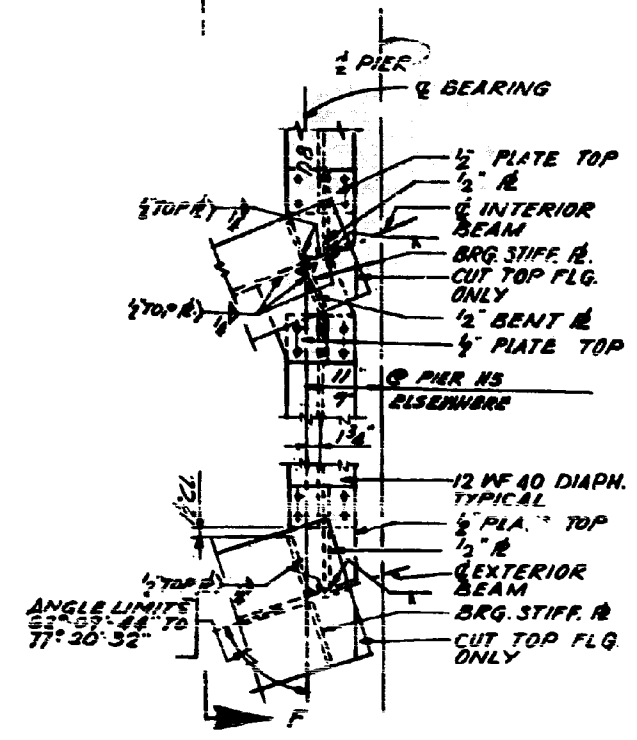
DETAIL #3



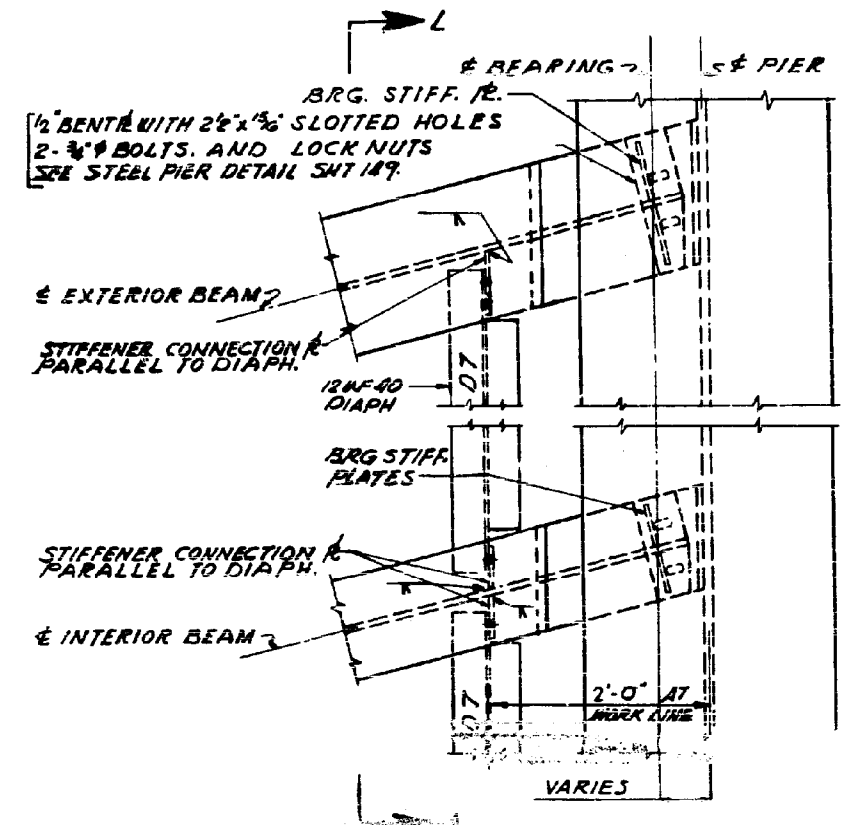
SECTION C-C SHOWN
SECTION E-E SIMILAR



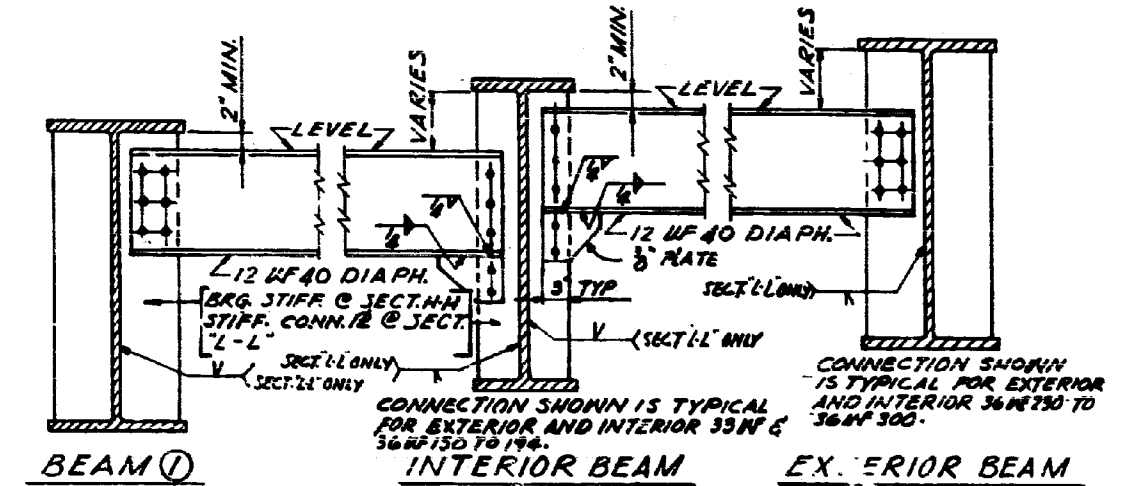
SECTION D-D SHOWN
SECTION F-F SIMILAR



DETAIL #4



DETAIL #5
PIER #2 & #7 SHOWN
& #3 SIMILAR



SECTION H-H SHOWN
SECTION L-L SIMILAR