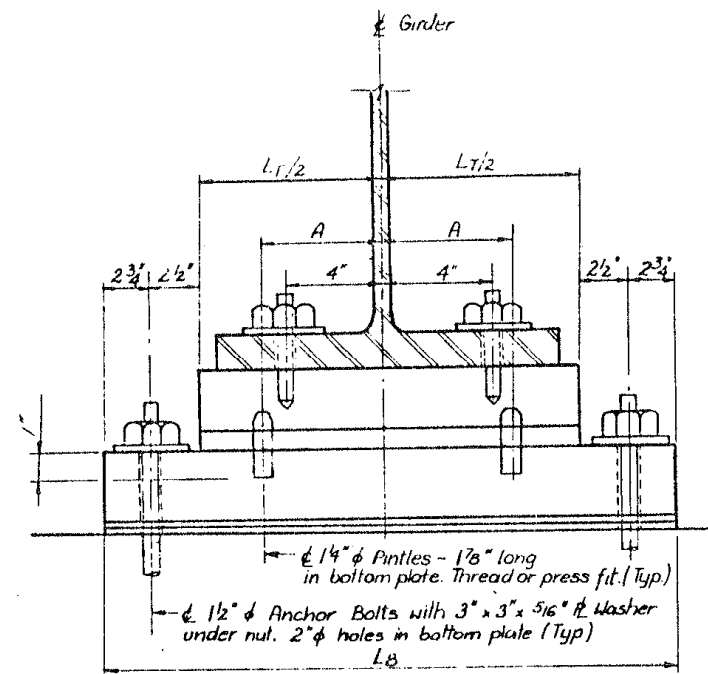
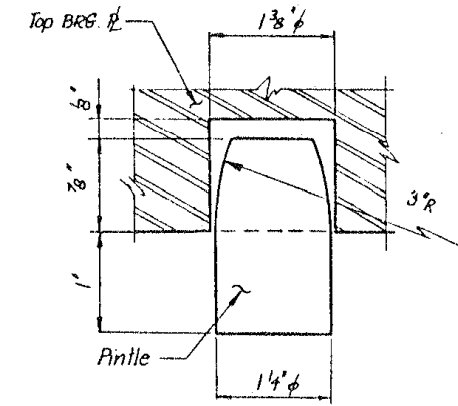


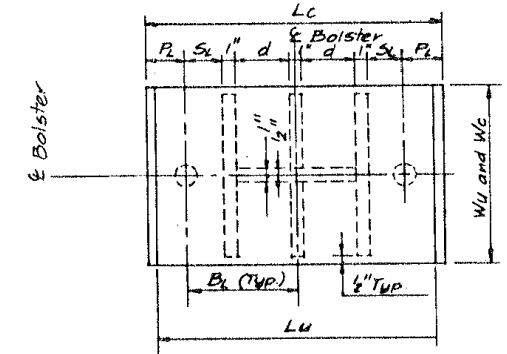
ELEVATION



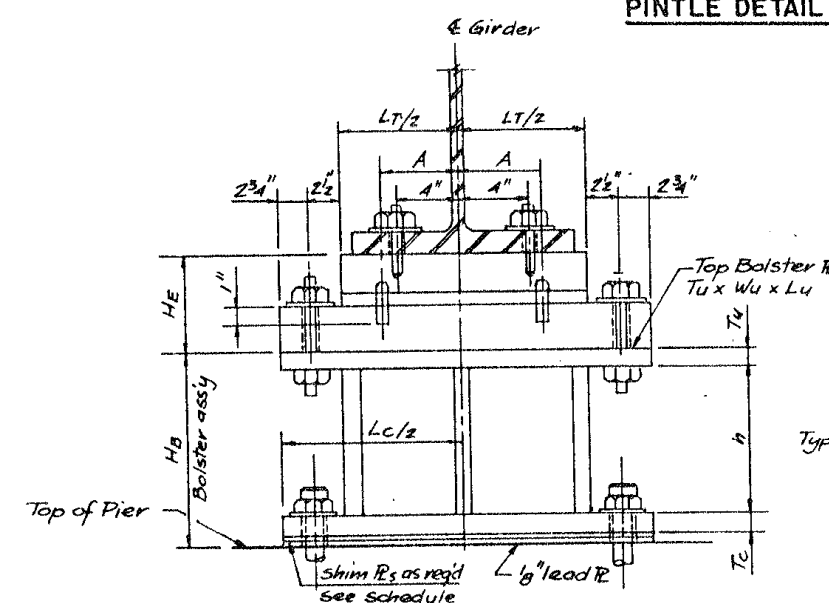
SECTION A-A



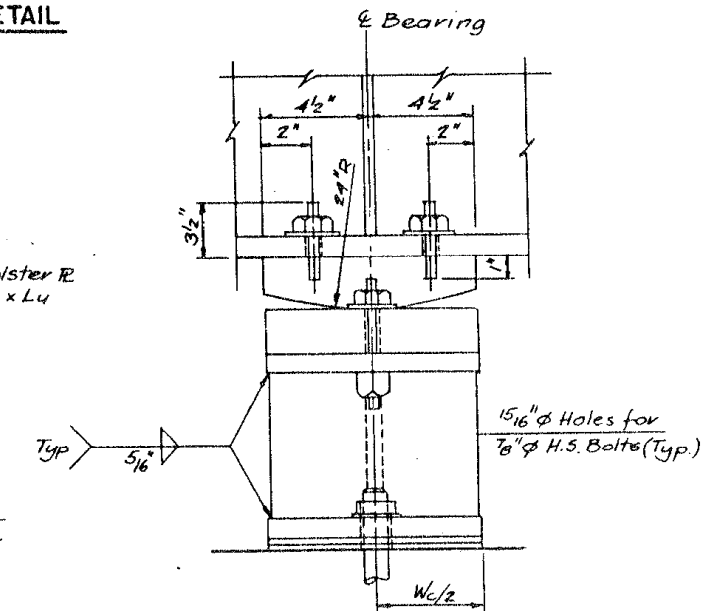
PINTLE DETAIL



PLAN



ELEVATION FOR FIXED BEARING



SIDE ELEVATION

FIXED BEARING SCHEDULE FOR ROADWAY WIDENING

STRUCTURE NO.	PIER LOCATION	GIRDER NO.	BRG. TYPE	NO. REQ'D.	T _T "	L _T "	T _B "	L _B "	A"	H"	REMARKS
016-1117	15(S)	GN-1, GN-2, GN-3	F1	3	2	12 1/2	1 1/2	23	3	3 5/8	N, B (GN-3)
	15(N)	GN-1	F1	1	2	12 1/2	1 1/2	23	3	3 5/8	N, B
	17(S)	GN-1	F1	1	2	12 1/2	1 1/2	23	3	3 5/8	N
	17(N)	GN-1	F1	1	2	17	1 1/2	27 1/2	5	3 5/8	N
	24	GN-1	F1	1	2 1/2	12 1/2	1 3/4	23	3	3 5/8	N

BOLSTER SCHEDULE FOR FIXED BEARINGS

STRUCTURE NO.	PIER LOCATION	GIRDER NO.	NO. REQ'D.	TOP BOLSTER R			BOT. BOLSTER R			ANCHOR BOLTS			d	P _L	S _L	h	H _B	H _E	REMARKS
				T _u	W _u	L _u	T _c	W _c	L _c	B _w	B _L	Ø							
016-1117	15(S)	GN-3	1	1	9	23	1	9	23	-	9 1/4	1 1/4	5 1/2	2 1/2	2 3/4	6 1/8	8 1/4	3 5/8	
016-1118	H10(N)	GH-1	1	1	9	27 1/2	1	9	27 1/2	-	11 1/4	1 1/4	7	2 1/2	2 3/4	4 1/8	6 3/8	3 5/8	
016-1117	H8(S)	GH-1	1	1	9	27 1/2	1	9	27 1/2	-	11 1/4	1 1/4	7	2 1/2	2 3/4	4 1/8	6 3/8	3 5/8	