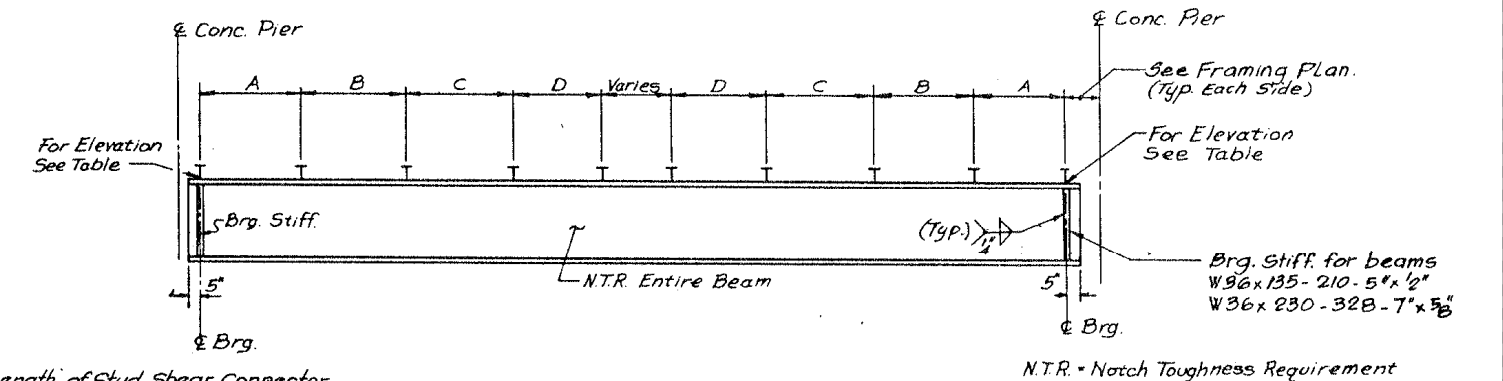


WIDE FLANGE BEAM SCHEDULE

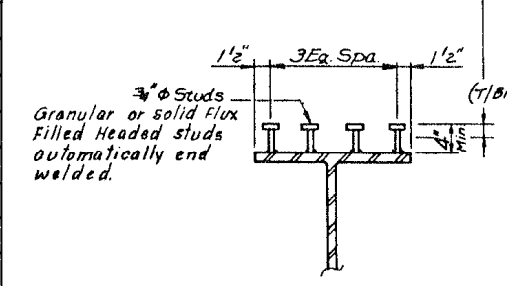
SPAN	BEAM	BEAM SIZE	L (¢ BRG. TO ¢ BRG.)	TOP OF BEAM ELEV. AT ¢ BEARINGS				STUDS PER ROW	SHEAR STUD SPACINGS				STUDS PER BEAM	DEFLECTION		
				PIER NO.	ELEV.	PIER NO.	ELEV.		A	B	C	D		Δ ¢	Δ ¼	
RAMP 'H'	H6	GH-1	W36x135	8'-10 1/8"	H5	33.410	H6	33.732	4	25pa@24"	—	—	—	24	0	0
	H7	GH-1	W36x245	77'-8 1/8"	H6	33.790	H7	36.140	4	175pa@12"	175pa@15"	—	—	280	13/16	5/8
	H8	GH-1	W36x245	77'-4 3/8"	H7	36.221	H8	38.517	4	175pa@12"	175pa@15"	—	—	280	15/16	11/16
	H9	GH-1	W36x245	77'-4 1/8"	H8	38.573	H9	40.888	4	175pa@12"	175pa@15"	—	—	280	1	11/16
	H10	GH-1	W36x245	76'-8 1/8"	H9	40.942	H10	43.014	4	175pa@12"	175pa@15"	—	—	280	15/16	5/8
	H11	GH-1	W36x245	77'-4 7/8"	H10	43.054	H11	44.804	4	175pa@12"	175pa@15"	—	—	280	7/8	5/8
	H12	GH-1	W36x245	78'-14"	H11	44.844	H12	46.294	4	205pa@12"	155pa@15"	—	—	288	3/4	9/16
	H12	GH-2	W36x245	76'-9 1/8"	H11	47.004	H12	48.224	4	155pa@15"	135pa@18"	—	—	232	1	11/16
	H12	GH-3	W36x245	78'-6 1/4"	H11	47.174	H12	48.575	4	205pa@12"	155pa@15"	—	—	288	13/16	9/16

NORTHBOUND MAINLINE	WIDE FLANGE BEAM SCHEDULE																
	SPAN	BEAM	BEAM SIZE	L (¢ BRG. TO ¢ BRG.)	TOP OF BEAM ELEV. AT ¢ BEARINGS				STUDS PER ROW	SHEAR STUD SPACINGS				STUDS PER BEAM	DEFLECTION		
					PIER NO.	ELEV.	PIER NO.	ELEV.		A	B	C	D		Δ ¢	Δ ¼	
		H13	GN-2	W36x170	66'-5 3/8"	14 (H12)	46.499	15	47.653	4	145pa@12"	155pa@15"	—	—	240	3/4	9/16
		H13	GN-3	W36x182	66'-0 3/8"	14 (H12)	48.662	15	49.747	4	145pa@12"	155pa@15"	—	—	240	1/2	3/8
	H14	GN-1	W36x210	67'-6 1/8"	15	49.773	16	50.457	4	185pa@9"	205pa@12"	—	—	312	5/8	7/16	
	H15	GN-1	W36x210	68'-3 1/8"	16	50.471	17	51.010	4	175pa@9"	215pa@12"	—	—	312	3/4	1/2	

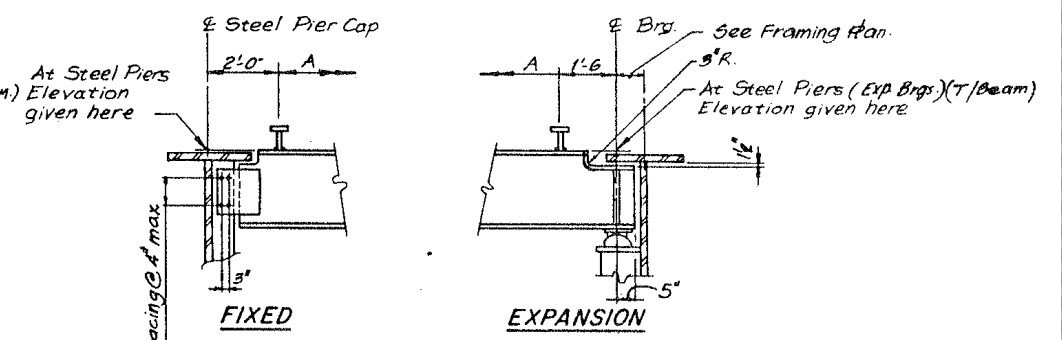


Length of Stud Shear Connector to be determined by the contractor in the field to insure a min. 2' Penetration in Slab

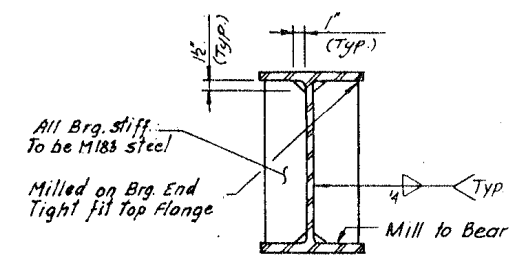
WIDE FLANGE BEAM ELEVATION



TYPICAL SECTION (SHOWING STUD PLACEMENT)



END DETAIL AT STEEL PIERS (TYPICAL)



TYPICAL SECTION AT BEARING STIFFENERS