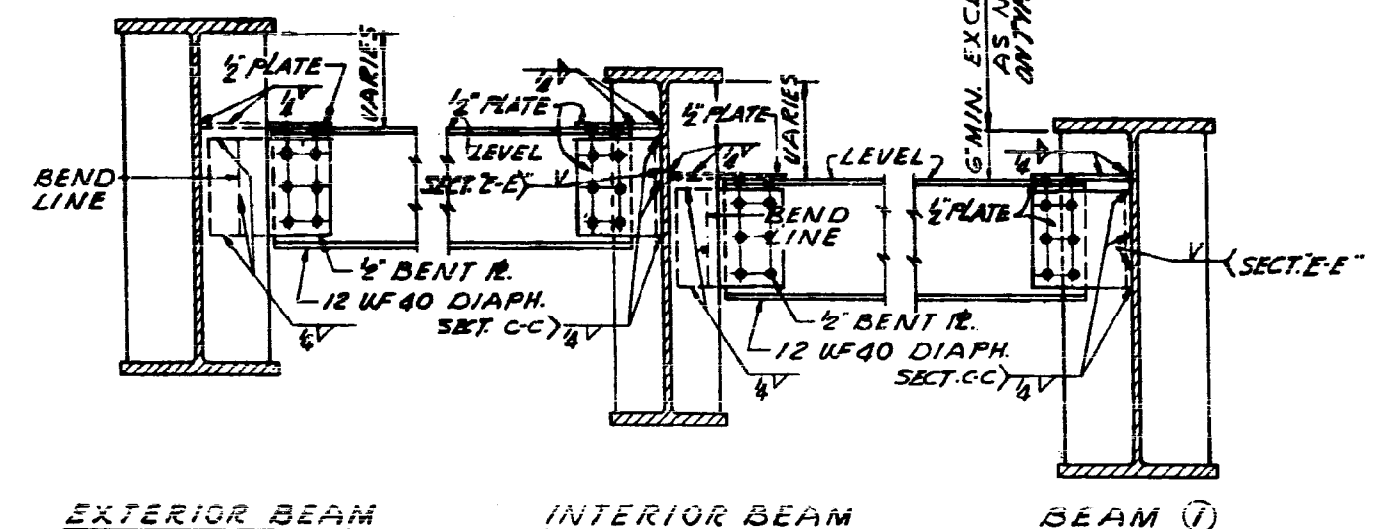
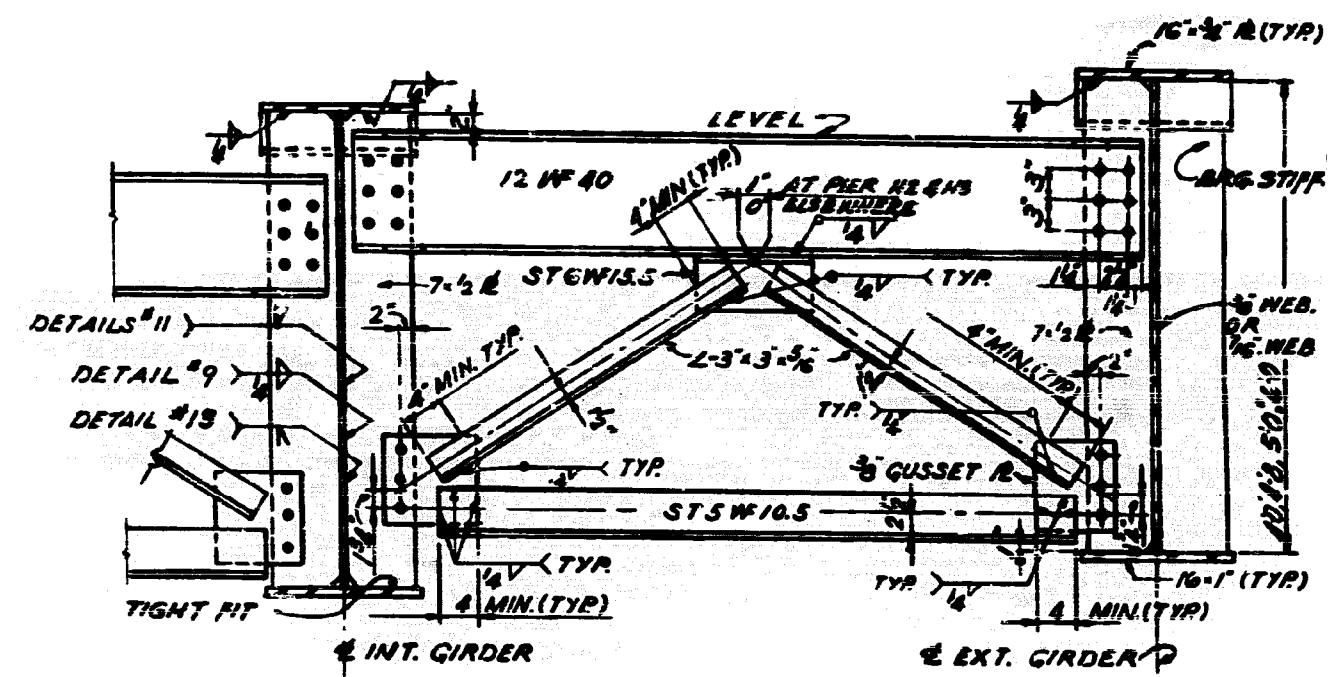


DETAIL #1

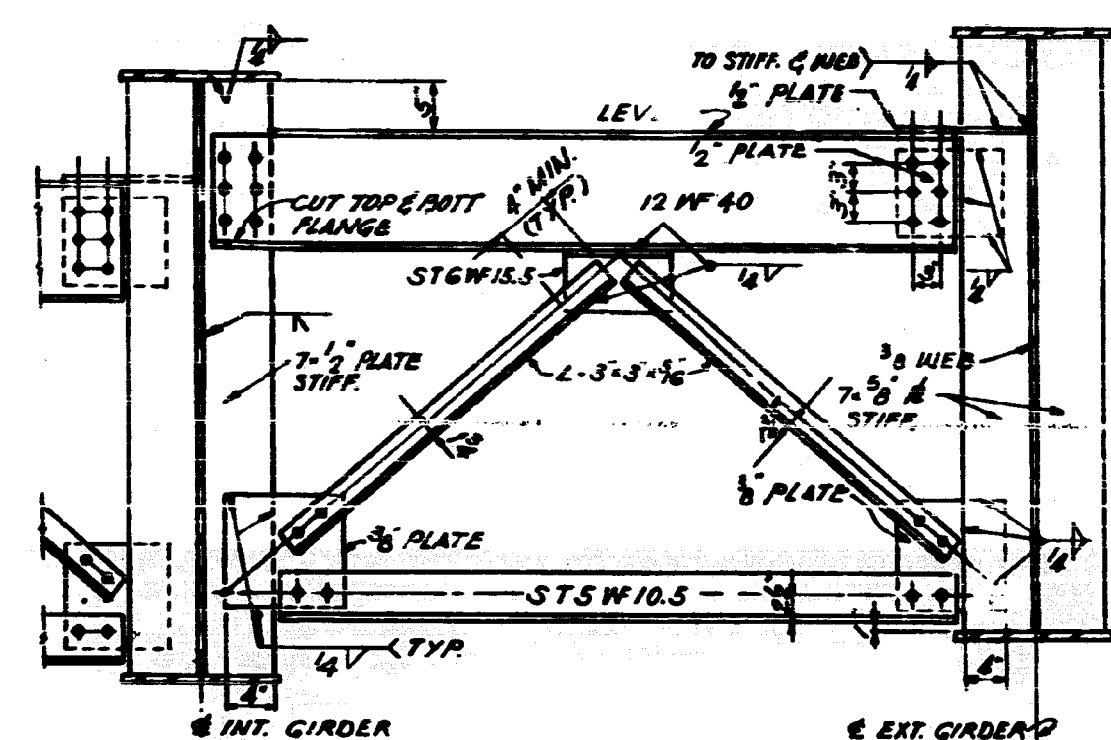
DETAIL #3



SECTION C-C SHOWN SECTION E-E SIMILAR



DETAIL #11



DETAIL #12