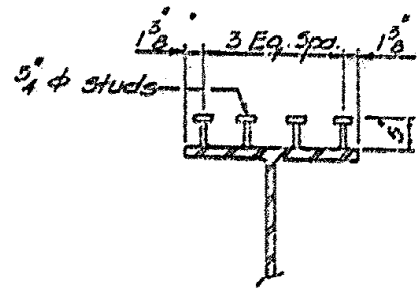
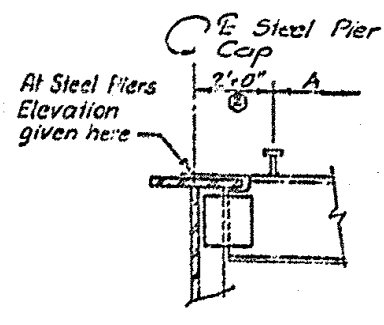


## WIDE FLANGE BEAM SCHEDULE

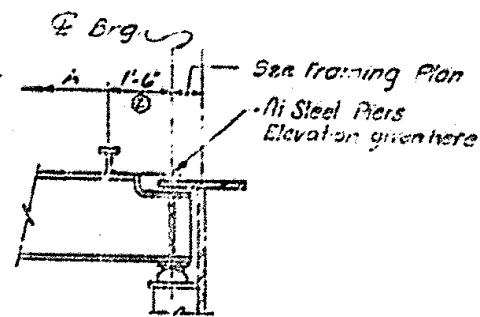
| SPAN | BEAM | BEAM SIZE | L (E BRG. TO E BRG.) | TOP OF BEAM ELEV. AT BEARINGS |           |         | STUDS PER ROW | SHEAR STUD SPACINGS |        |        |        | STUDS PER BEAM | DEFLECTION |            |            |
|------|------|-----------|----------------------|-------------------------------|-----------|---------|---------------|---------------------|--------|--------|--------|----------------|------------|------------|------------|
|      |      |           |                      | PIER NO                       | ELEV. (E) | PIER NO |               | ELEV. (E)           | A      | B      | C      |                | D          | $\Delta E$ | $\Delta L$ |
| A-1  | GA-1 | W36x300   | 77'-0 1/4"           | So. Abut                      | 25.533    | A-1     | 27.291        | 4                   | 19@12" | 16@15" | -      | -              | 258        | 1 3/8"     | 5 3/8"     |
| A-1  | GA-2 | W36x210   | 75'-11 3/8"          | So. Abut                      | 25.836    | A-1     | 27.469        | 4                   | 19@12" | 16@15" | -      | -              | 280        | 1 3/8"     | 5 0"       |
| A-3  | GA-1 | W36x280   | 75'-3 5/8"           | A-2                           | 31.779    | A-3     | 33.837        | 4                   | 24@9"  | 20@12" | -      | -              | 360        | 1"         | 11 1/8"    |
| A-4  | GA-1 | W36x230   | 74'-3"               | A-3                           | 33.664    | A-4     | 35.671        | 4                   | 13@15" | 11@21" | -      | -              | 200        | 3/4"       | 9 1/2"     |
| A-5  | GA-1 | W36x230   | 74'-9 3/8"           | A-4                           | 35.672    | A-5     | 37.169        | 4                   | 13@15" | 11@21" | -      | -              | 200        | 1 5/16"    | 9 1/2"     |
| A-6  | GA-1 | W36x230   | 74'-9"               | A-5                           | 37.169    | A-6     | 38.143        | 4                   | 13@15" | 11@21" | -      | -              | 200        | 1 5/16"    | 9 1/2"     |
| A-7  | GA-1 | W36x230   | 65'-6"               | A-6                           | 38.166    | A-7     | 39.436        | 4                   | 12@15" | 10@21" | -      | -              | 184        | 1 1/2"     | 5 3/8"     |
| A-8  | GA-1 | W36x230   | 65'-6"               | A-7                           | 39.456    | A-8     | 40.235        | 4                   | 12@15" | 10@21" | -      | -              | 184        | 1 1/2"     | 5 3/8"     |
| A-9  | GA-1 | W36x230   | 65'-5 5/8"           | A-8                           | 40.250    | A-9     | 40.979        | 4                   | 12@15" | 10@21" | -      | -              | 184        | 9/16"      | 5 3/8"     |
| A-10 | GA-1 | W36x300   | 93'-3 3/8"           | A-9                           | 41.005    | A-10    | 41.677        | 4                   | 11@18" | 19@21" | -      | -              | 248        | 1 7/16"    | 1 1/8"     |
| A-11 | GA-1 | W36x182   | 56'-1 3/4"           | A-10                          | 41.683    | A-11    | 41.992        | 4                   | 10@15" | 9@21"  | -      | -              | 160        | 5/8"       | 1 1/4"     |
| A-12 | GA-1 | W36x182   | 54'-11 3/4"          | A-11                          | 42.001    | A-12    | 42.402        | 4                   | 10@15" | 9@21"  | -      | -              | 160        | 5/16"      | 1 1/4"     |
| A-13 | GA-1 | W36x135   | 63'-5 3/8"           | A-12                          | 42.240    | A-13    | 42.681        | 4                   | 12@15" | 9@21"  | -      | -              | 176        | 7/16"      | 5/16"      |
| A-13 | GA-2 | W36x194   | 70'-3 1/2"           | A-12                          | 42.425    | A-13    | 42.889        | 4                   | 14@15" | 9@21"  | -      | -              | 192        | 1 3/16"    | 7/16"      |
| A-14 | GA-1 | W36x300   | 91'-11 3/8"          | A-13                          | 42.718    | A-14    | 43.504        | 4                   | 15@12" | 12@15" | 12@18" | -              | 320        | 1 1/4"     | 7/8"       |
| A-14 | GA-2 | W36x328   | 92'-8 5/16"          | A-13                          | 42.996    | A-14    | 43.535        | 4                   | 11@18" | 8@21"  | 10@21" | -              | 240        | 2 3/16"    | 1 7/16"    |
| A-15 | GA-1 | W36x245   | 76'-9 1/16"          | A-14                          | 43.516    | A-15    | 43.995        | 4                   | 25@9"  | 20@12" | -      | -              | 368        | 1 1/8"     | 10 1/16"   |
| A-15 | GA-2 | W36x215   | 76'-9 1/4"           | A-14                          | 43.546    | A-15    | 43.938        | 4                   | 25@9"  | 20@12" | -      | -              | 360        | 1 1/8"     | 10 1/16"   |
| A-16 | GA-1 | W36x182   | 75'-7 1/4"           | A-15                          | 44.042    | A-16    | 44.469        | 4                   | 15@9"  | 26@12" | -      | -              | 336        | 1"         | 3 1/2"     |
| A-16 | GA-2 | W36x182   | 73'-5 1/4"           | A-15                          | 43.993    | A-16    | 44.651        | 4                   | 15@9"  | 25@12" | -      | -              | 328        | 15/16"     | 4 1/2"     |
| A-16 | GA-3 | W36x170   | 71'-5 7/16"          | A-15                          | 44.262    | A-16    | 44.834        | 4                   | 15@9"  | 24@12" | -      | -              | 320        | 15/16"     | 4 1/2"     |
| A-17 | GA-1 | W36x245   | 74'-2 5/16"          | A-16                          | 42.643    | A-17    | 43.418        | 4                   | 15@9"  | 25@12" | -      | -              | 328        | 7/8"       | 6 3/8"     |
| A-17 | GA-2 | W36x182   | 75'-6 9/16"          | A-16                          | 42.534    | A-17    | 43.593        | 4                   | 15@9"  | 26@12" | -      | -              | 336        | 1"         | 4 1/2"     |
| A-17 | GA-3 | W36x194   | 74'-0 1/16"          | A-16                          | 44.583    | 17      | 45.752        | 4                   | 15@9"  | 25@12" | -      | -              | 328        | 1 1/2"     | 5 3/8"     |



**TYPICAL SECTION**

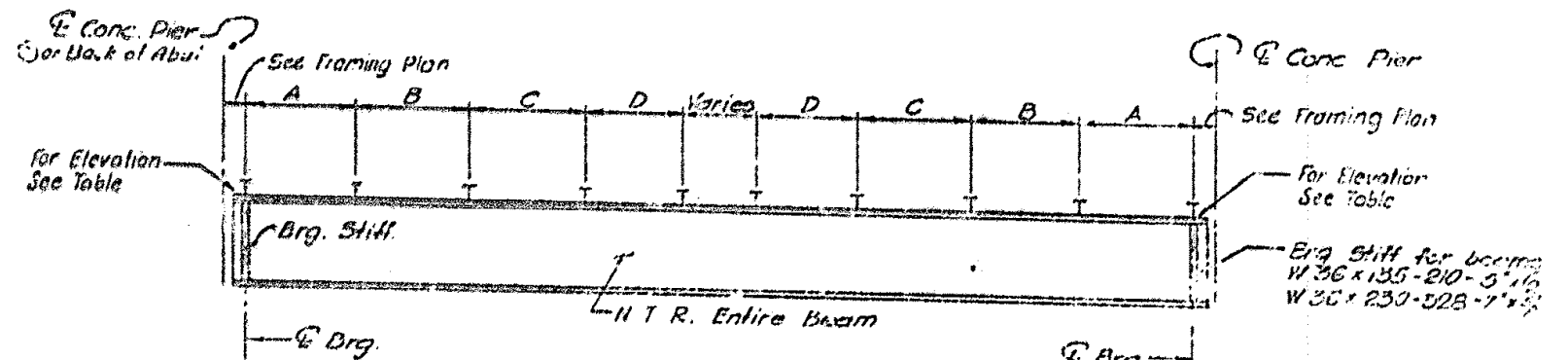


**FIXED**



**EXPANSION**

**END DETAIL AT STEEL PIERS**



**WIDE FLANGE BEAM ELEVATION**