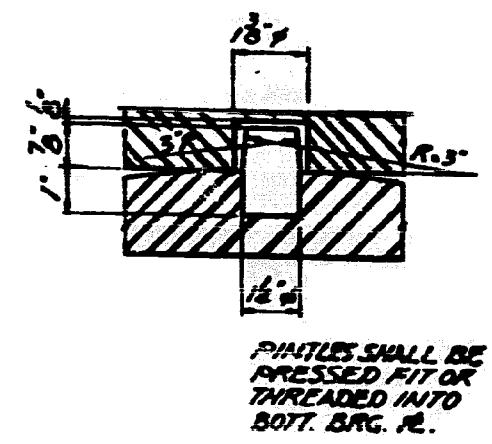
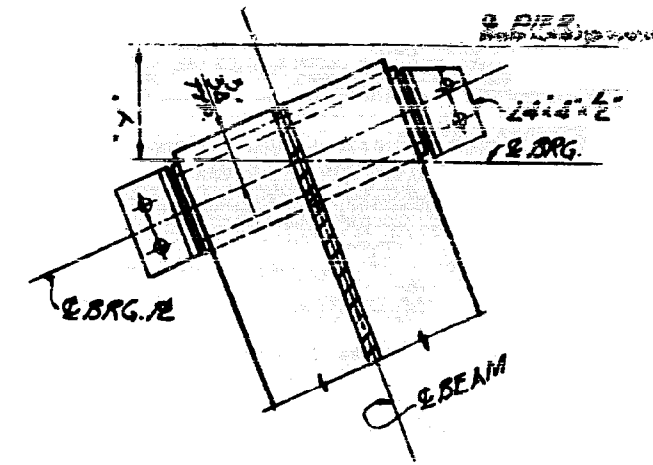


TYPICAL EXPANSION BEARING FOR CONCRETE PIERS AND ABUTMENTS

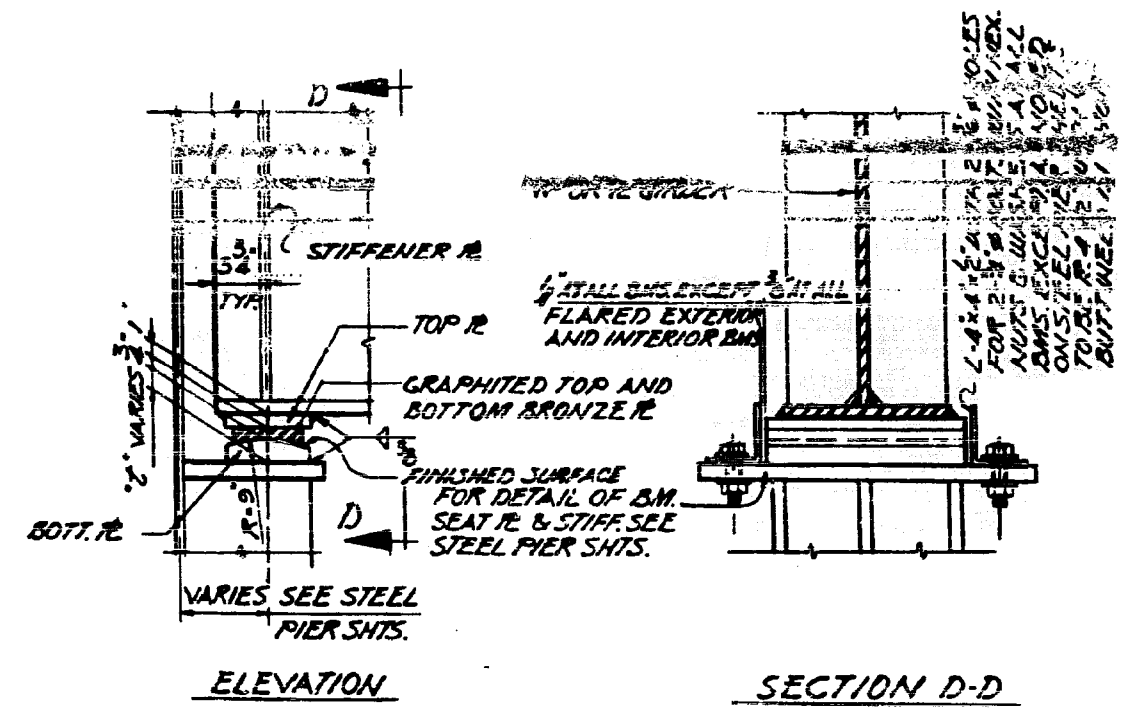


PINTLE DETAIL

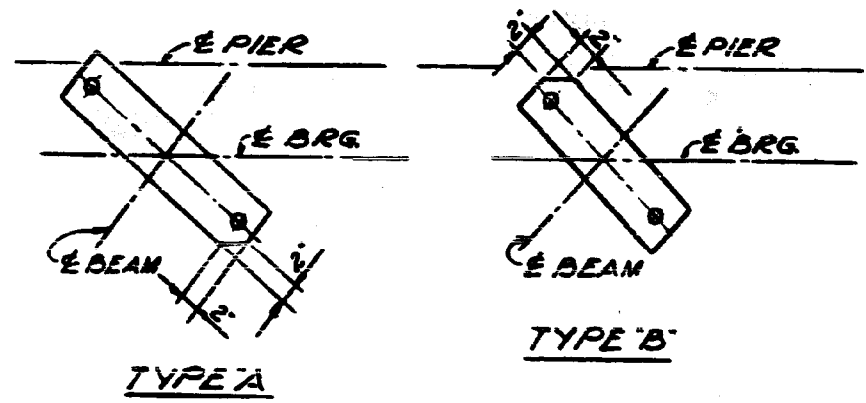


TYPE I NO CUTS

FLANGE AND TOP PLATE CUTS AT STEEL PIERS



EXPANSION BEARING ON STEEL PIERS



BOTTOM BEARING PLATE CUTS AT CONCRETE PIERS NOT TO SCALE

MODEL BOTTOM FLANGE CUTS AT STEEL PIERS

PIER BEAM	BRG. GIRD.	a	b	c	REMARKS
A1	106	6	12	-	-
A5	215	6	11	-	-

EXPANSION BEARING TABLE

MARK	TOTAL	TOP IR	BRONZE IR	BOTT. IR	LEAD IR	MARK	TOTAL	TOP IR	BRONZE IR	BOTT. IR	LEAD IR	CUT TYPE
E1	8	6x1'x1'1"	4 1/2 x 1 1/4 x 1 1/4"	6x1 1/2 x 1 1/4"	6x6'x1'1"	E26	14	6 1/2 x 1' x 1 1/2"	5 x 1 1/2 x 1 1/2"	6 x 2 1/2 x 2' 3"	6 x 6' x 2' 3"	A
E2	6	6x1'x1' 3/4"	4 1/2 x 1 1/4 x 1 1/4"	6x1 7/8 x 1 1/4"	6x6'x1' 3/4"	E27	1	6 1/2 x 1' x 1 1/2"	5 x 1 1/2 x 1 1/2"	6 x 2 1/2 x 2' 3"	6 x 6' x 2' 3"	A
E5	11	6 1/2 x 1' x 1' 1/4"	5 x 1 1/2 x 1 1/4"	6 x 2 1/8 x 1 1/4"	6 x 6' x 1' 10"							
E6	38	6 1/2 x 1' x 1' 1/4"	5 x 1 1/2 x 1 1/4"	6 x 2 1/8 x 1 1/4"	6 x 6' x 1' 10"							
E8	13	6 1/2 x 1' x 1' 3/4"	5 x 1 1/2 x 1 3/4"	6 x 2 1/8 x 2' 3"	6 x 6' x 2' 3"							
E14	11	6 1/2 x 1' x 1' 1/4"	5 x 1 1/2 x 1 1/4"	6 x 2 1/8 x 1 1/4"	6 x 6' x 1' 10"							
E15	7	6 1/2 x 1' x 1' 1/4"	5 x 1 1/2 x 1 1/4"	6 x 2 1/8 x 1 1/4"	6 x 6' x 1' 10"							
E16	1	6 1/2 x 1' x 1' 1/4"	5 x 1 1/2 x 1 1/4"	6 x 2 1/8 x 1 1/4"	6 x 6' x 1' 10"							
E17	5	6 1/2 x 1' x 1' 3/4"	5 x 1 1/2 x 1 3/4"	6 x 2 1/8 x 2' 3"	6 x 6' x 2' 3"							