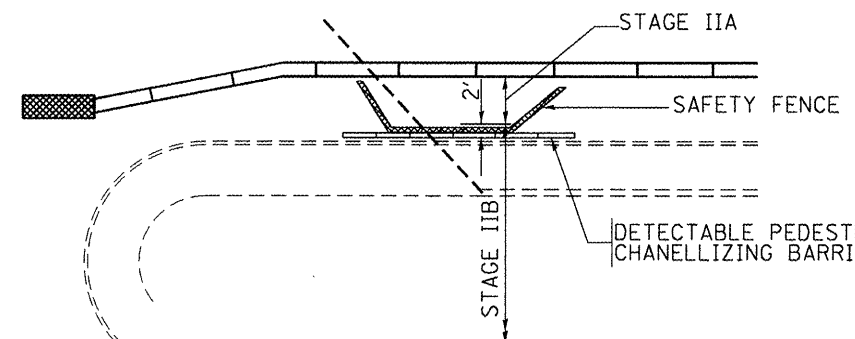


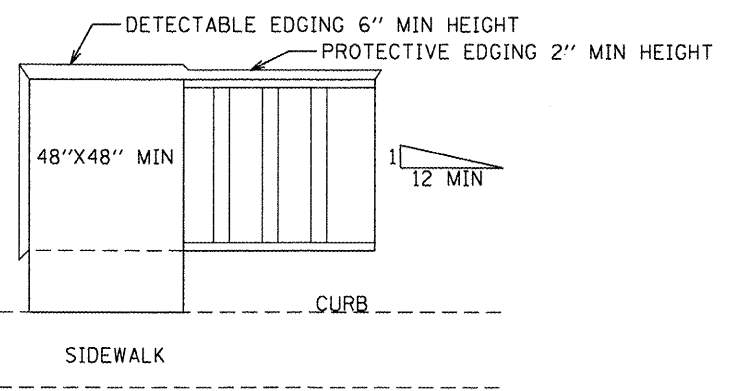
RIGHT LANE MUST TURN RIGHT

ONLY



STAGE IIA

ADA RAMP DETAIL



PLAN STAGE II

LEGEND

- DIRECTION OF TRAFFIC
- DRUM OR CONE WITH STEADY BURNING LIGHT
- IMPACT ATTENUATOR
- TEMPORARY CONCRETE BARRIER
- TYPE III BARRICADE WITH 2 STEADY BURN LIGHTS
- TEMPORARY ADA RAMP

① COVER EXISTING BIKE PATH SIGN

NOTES:

COST OF TRAFFIC CONTROL ITEMS SHOWN ON THIS SHEET ARE INCLUDED IN THE COST OF "TRAFFIC CONTROL AND PROTECTION (SPECIAL).
 ACCESS TO CTA STATION SHALL BE MAINTAINED ALL TIMES DURING CONSTRUCTION.
 * EXISTING PROTECTIVE SHIELDING EXISTS OVER EXPRESSWAY. THE CONTRACTOR MAY USE THIS SHIELDING AS THEIR PROTECTIVE SHIELDING; AREA INCLUDED IN QUANTITY OF SHIELDING.

FILE NAME =	USER NAME = hmdanah	DESIGNED -	REVISED -
c:\p\work\p\dat\hmdanah\2299783\01\512-shr-plan.dgn		DRAWN -	REVISED -
PLOT SCALE = 100.0000' / 1" =		CHECKED -	REVISED -
PLOT DATE = 4/3/2012		DATE -	REVISED -

STATE OF ILLINOIS
DEPARTMENT OF TRANSPORTATION

I-290 (EISENHOWER EXPY) AT OGDEN AVE.			
TRAFFIC CONTROL PLAN			
STAGE II			
SCALE:	SHEET NO.	OF SHEETS	STA. TO STA.

F.A. RTE.	SECTION	COUNTY	TOTAL SHEETS	SHEET NO.
	3-B-10BR(1)	COOK	26	7
CONTRACT NO. 60T39			ILLINOIS FED. AID PROJECT	