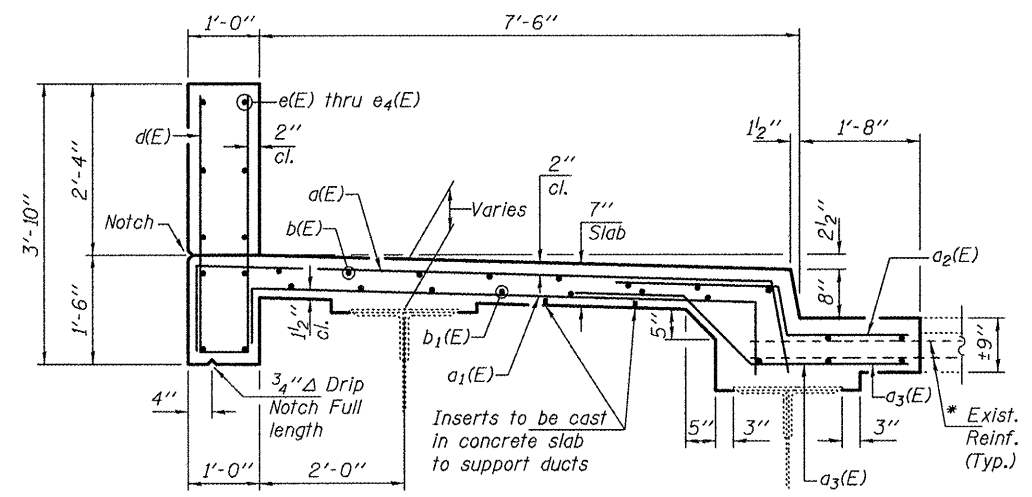


SECTION C-C

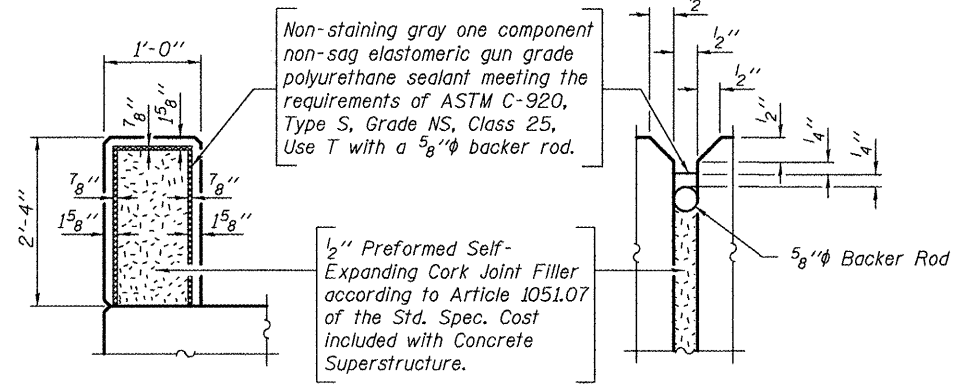
* Existing reinforcement bars extending into the removal area shall be cleaned, straightened and incorporated into the new construction. Any reinforcement bars that are damaged during concrete removal shall be replaced with an approved bar splicer or anchorage system. Cost included with Concrete Removal.

PLAN

For Sidewalk reinforcement & bar list see sheet 5 of 10.

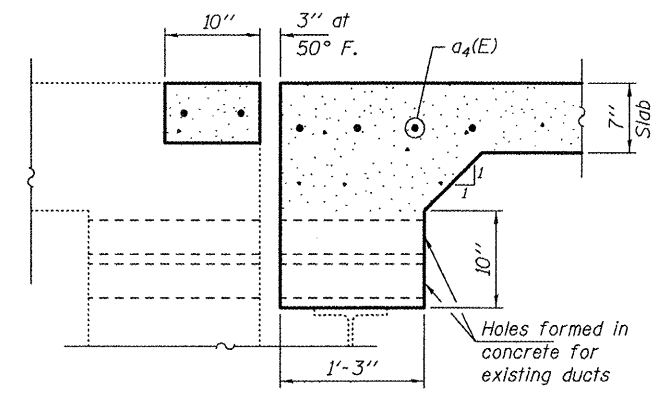


SECTION D-D



PARAPET JOINT DETAILS

(See sheet 5 of 10 for Parapet Joint spacing)



SECTION E-E

DESIGNED - MKC	EXAMINED - <i>Joanne F. Jelliffe</i>
CHECKED - ADY	ACTING ENGINEER OF STRUCTURAL SERVICES
DRAWN - Kyle M. Steffen	PASSED - <i>Carl Perry</i>
CHECKED - MKC ADY	ACTING ENGINEER OF BRIDGES AND STRUCTURES

DATE - MAY 9, 2012

STATE OF ILLINOIS
DEPARTMENT OF TRANSPORTATION

CONCRETE REPLACEMENT DETAILS
SN 016-0235
SHEET NO. 4 OF 10 SHEETS

F.A.I. RTE. 290	SECTION 3-B-10BR(11)	COUNTY COOK	TOTAL SHEETS 26	SHEET NO. 13
CONTRACT NO. 60T39			ILLINOIS FED. AID PROJECT	