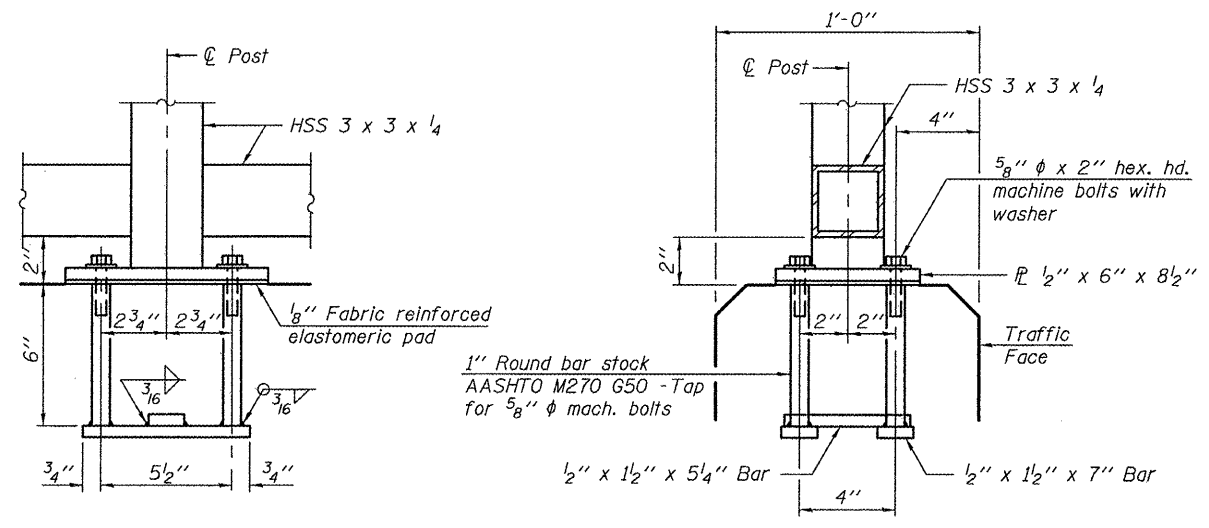


**ELEVATION**  
(Inside Face)

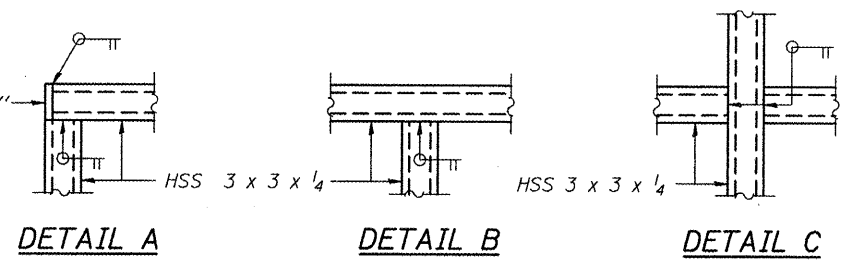
**ELEVATION**  
(At Parapet Joint)

\* See sheet 5 of 10 for parapet joint spacing and post spacing.



**ANCHOR BOLT DETAILS**

In lieu of the cast-in-place anchor device shown, the Contractor has the option of drilling and setting 5/8" diameter anchor rods according to Article 509.06 of the Standard Specifications. Embedment shall be according to the manufacturer's specifications.

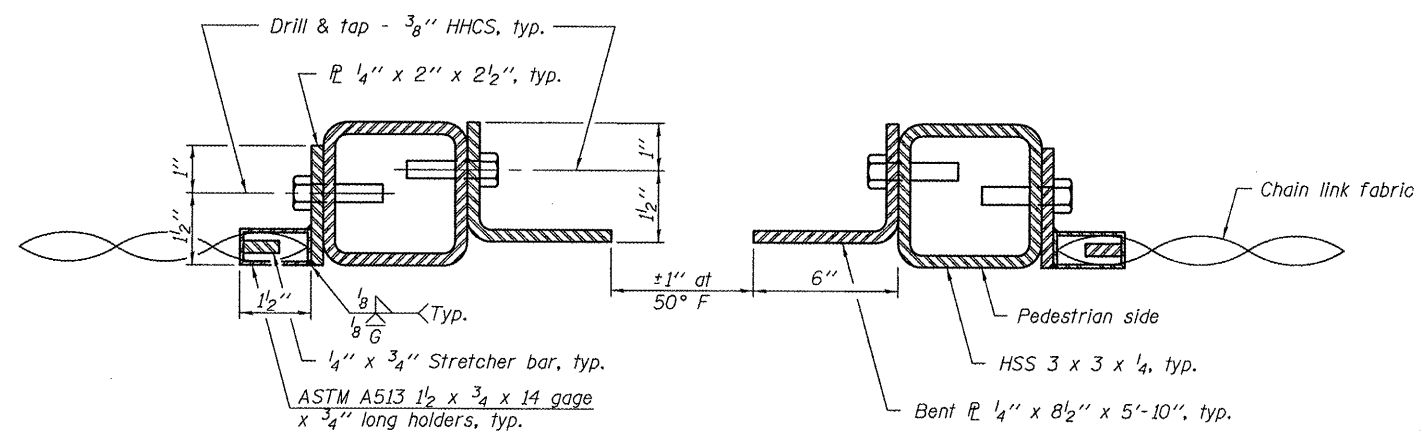


**DETAIL A**

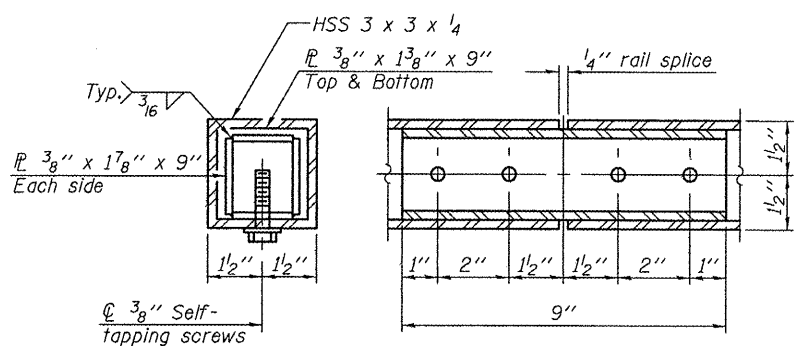
**DETAIL B**

**DETAIL C**

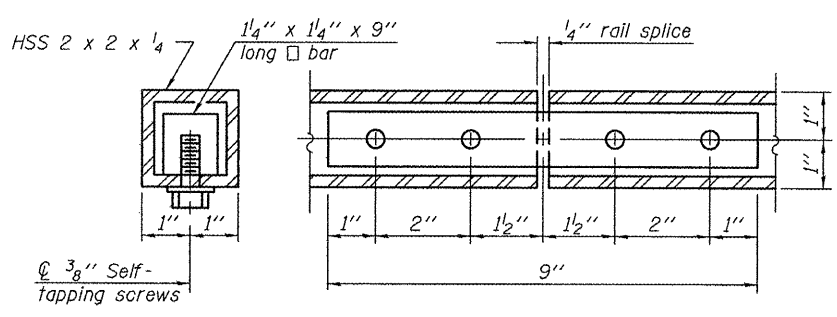
Note:  
All steel rail elements shall be galvanized according to Article 509.05 of the Standard Specifications.



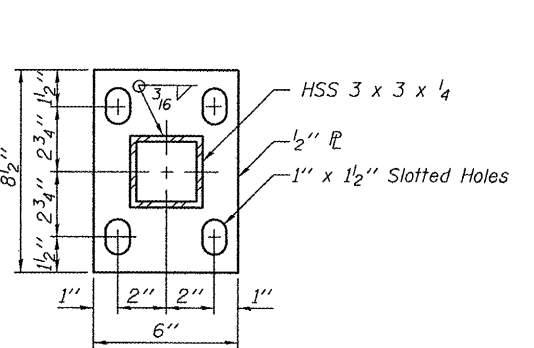
**SECTION A-A**



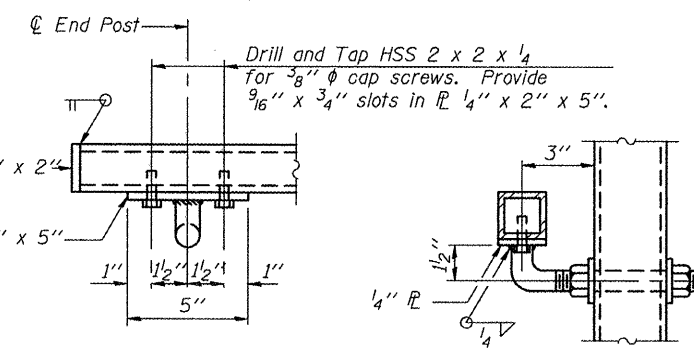
**RAIL SPLICE**



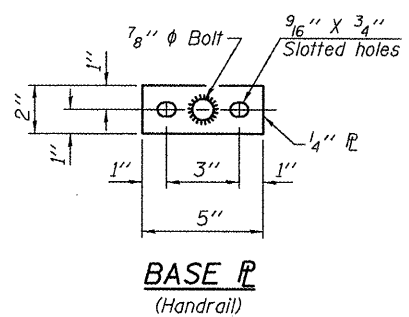
**HANDRAIL SPLICE**



**BASE PL**



**HANDRAIL DETAIL**



**BASE PL**  
(Handrail)

| Item                 | Unit | Quantity |
|----------------------|------|----------|
| Bridge Fence Railing | Foot | 379      |

R-28 7-1-10

DESIGNED - MKC  
CHECKED - ADY  
DRAWN - Kyle M. Steffen  
CHECKED - MKC ADY

EXAMINED  
PASSED  
ACTING ENGINEER OF STRUCTURAL SERVICES  
ACTING ENGINEER OF BRIDGES AND STRUCTURES

DATE - MAY 9, 2012

STATE OF ILLINOIS  
DEPARTMENT OF TRANSPORTATION

BRIDGE FENCE RAILING, PARAPET MOUNTED  
SN 016-0235

SHEET NO. 7 OF 10 SHEETS

| F.A.I. RTE.        | SECTION     | COUNTY | TOTAL SHEETS              | SHEET NO. |
|--------------------|-------------|--------|---------------------------|-----------|
| 290                | 3-B-10BR(1) | COOK   | 26                        | 16        |
| CONTRACT NO. 60T39 |             |        | ILLINOIS FED. AID PROJECT |           |