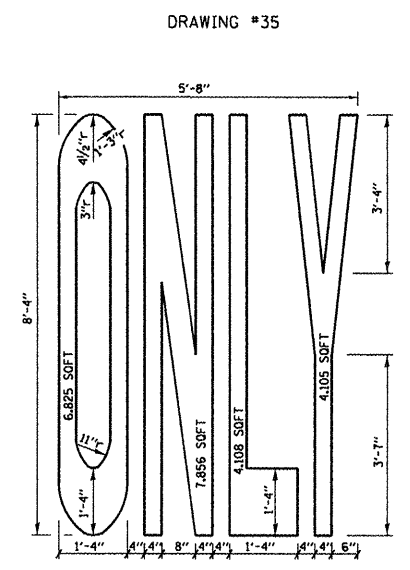
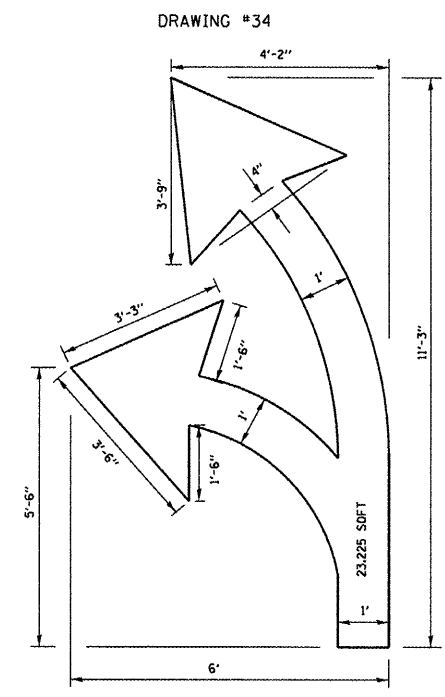
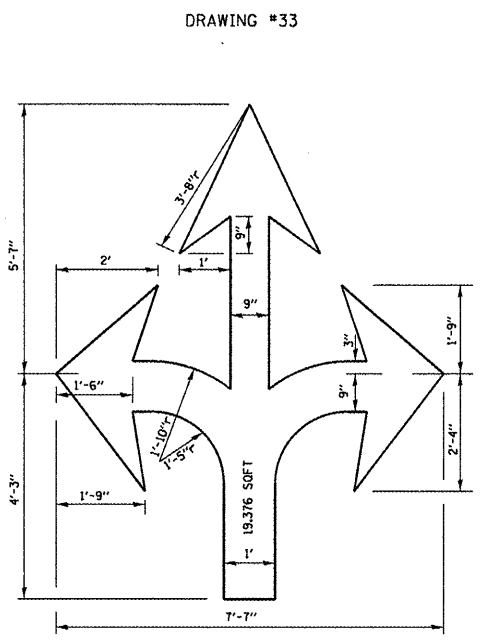
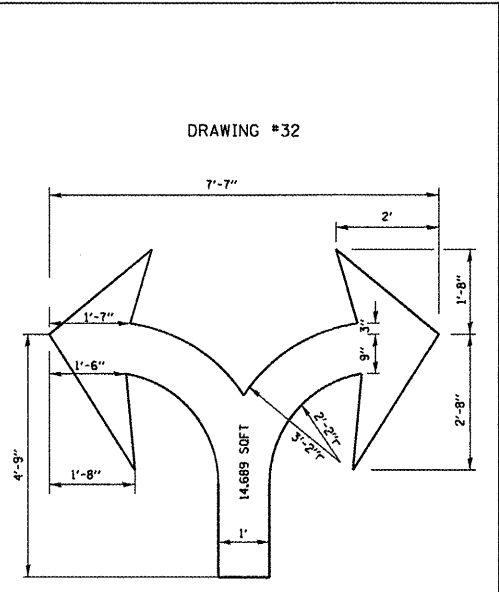
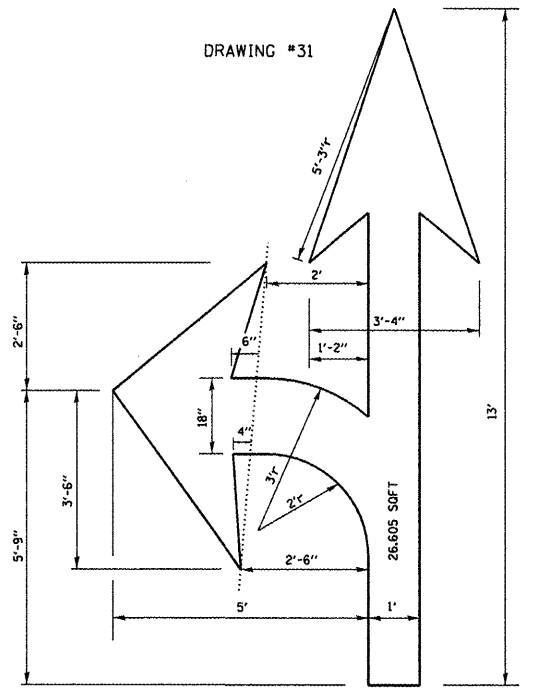
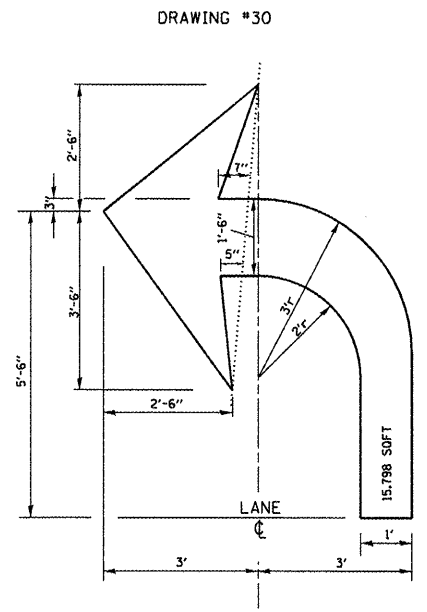
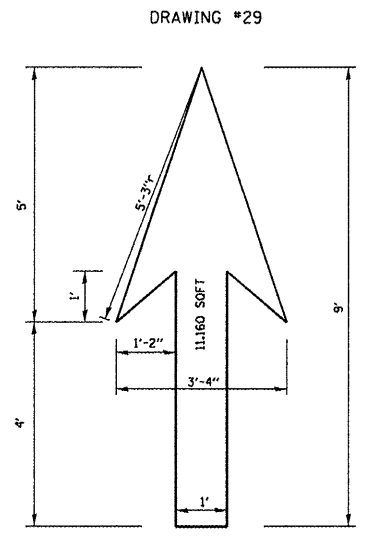


NOTE:
 1.) FOR BIKE LANE SYMBOLS ONLY, USE PRE-FORMED THERMOPLASTIC WITH A MINIMUM THICKNESS OF 90 MILS, MINIMUM SKID RESISTANCE VALUE OF 60 BPN, & A MINIMUM INDEX OF REFRACTION OF 1.50.
 2.) THE RESIDENT ENGINEER SHALL CONTACT MR. BEN GOMBERG AT 312-744-8093 AT LEAST ONE CALENDAR WEEK PRIOR TO INSTALLING BIKE LANE SYMBOLS.

TYPICAL BIKE LANE SYMBOLS
DRAWING #28



NOTE:
 ALL MARKINGS SHALL BE SOLID WHITE UNLESS OTHERWISE NOTED IN THE PLANS

FILE NAME =	USER NAME = hamdaneh	DESIGNED -	REVISED - T. RAMMACHER 12-07-00
et\pw_work\pavdist\hamdaneh\2299783\3\Std.dgn	Std.dgn	DRAWN -	REVISED - K. ENG 01-12-12
PLOT SCALE = 100.0000 ' / 1"		CHECKED -	REVISED -
PLOT DATE = 4/3/2012		DATE -	REVISED -

STATE OF ILLINOIS
DEPARTMENT OF TRANSPORTATION

CITY OF CHICAGO	
TYPICAL PAVEMENT MARKINGS	
SCALE: NONE	SHEET NO. 2 OF 3 SHEETS STA. TO STA.

F.A.I. RTE.	SECTION	COUNTY	TOTAL SHEETS	SHEET NO.
290	3-B-BR(11)	COOK	26	25
TC-24			CONTRACT NO. 60T39	
FED. ROAD DIST. NO. 1 [ILLINOIS] FED. AID PROJECT				