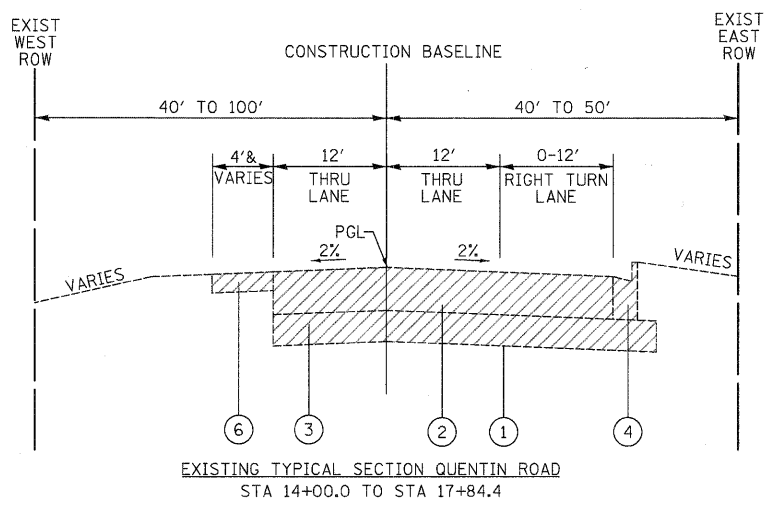
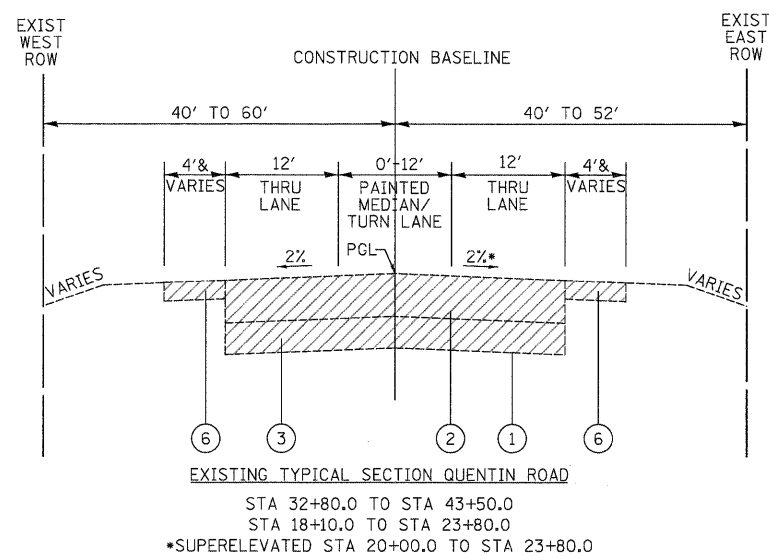
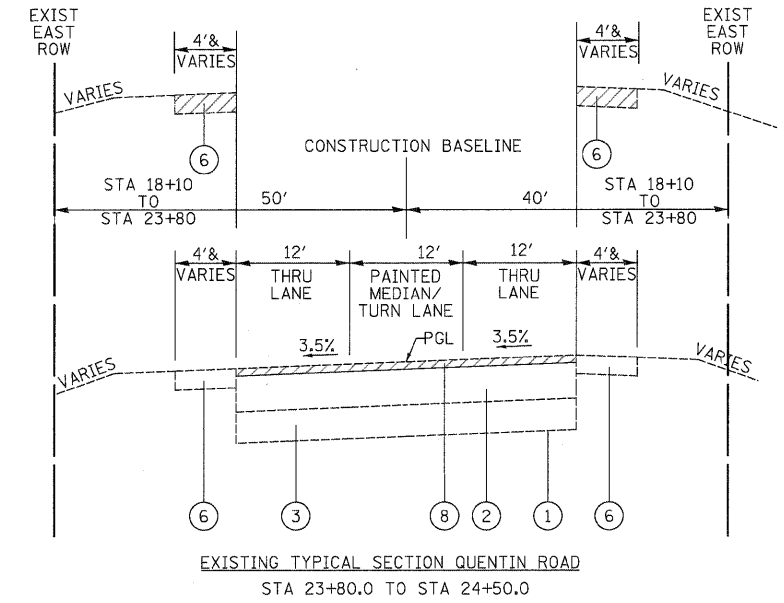
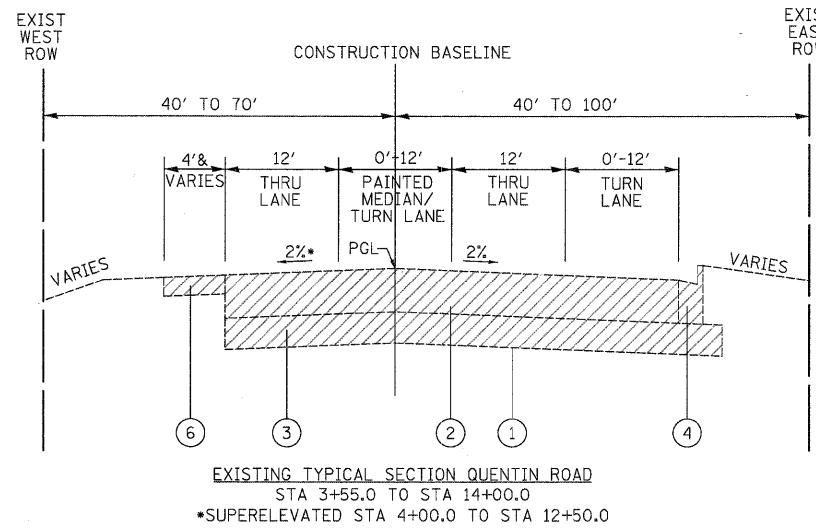
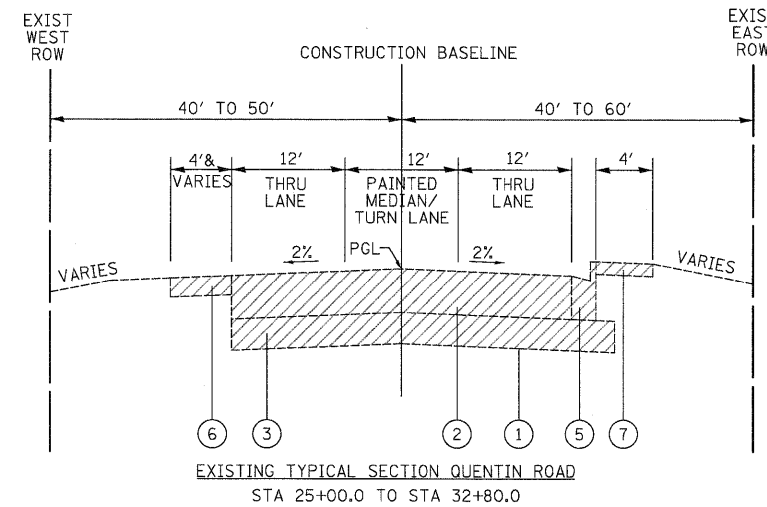
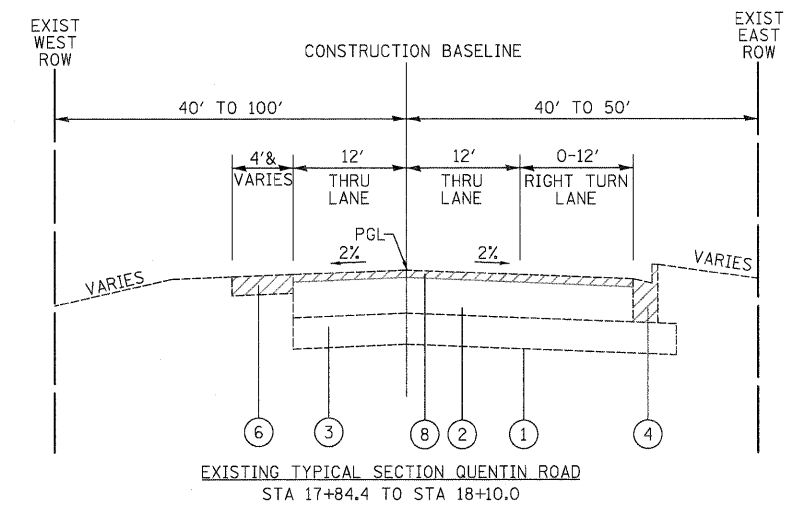
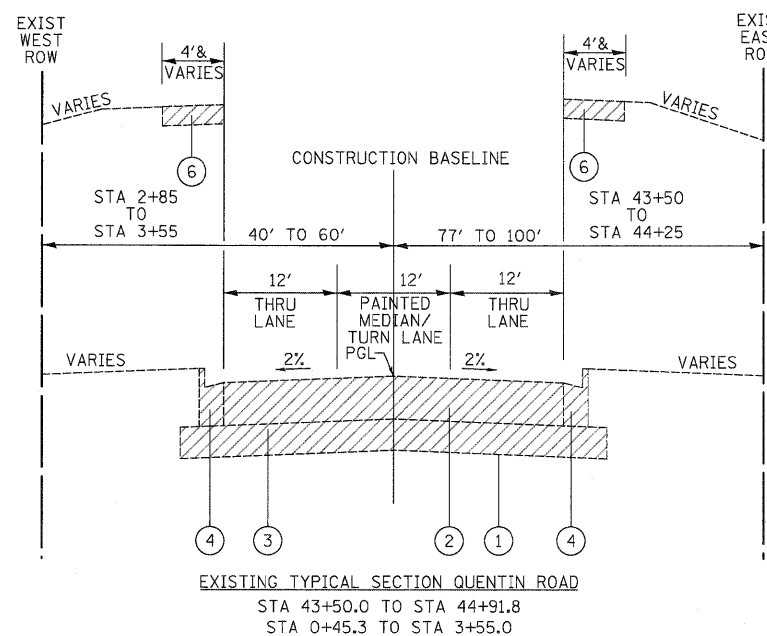
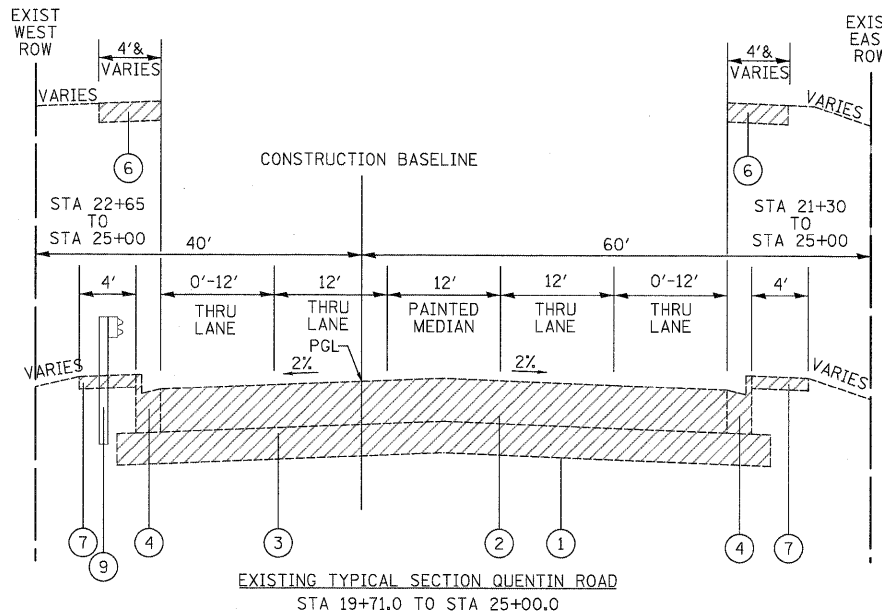


DATE	
BY	
FINAL SURVEY	
SURVEYED	
PLOTTED	
NOTE BOOK	
AREAS CHECKED	
NO.	

DATE	
BY	
ORIGINAL SURVEY	
SURVEYED	
PLOTTED	
NOTE BOOK	
AREAS CHECKED	
NO.	



- EXISTING LEGEND**
- ① EXISTING SUBGRADE SOILS (REFERENCE ROADWAY SOIL INVESTIGATION PREPARED BY CHICAGO TESTING LABORATORY, INC. DATED JULY 13 2005)
 - ② EXISTING HOT-MIX ASPHALT PAVEMENT, THICKNESS VARIES FROM 13" TO 18" (REFERENCE ROADWAY SOIL INVESTIGATION PREPARED BY CHICAGO TESTING LABORATORY, INC. DATED JULY 13 2005)
 - ③ EXISTING AGGREGATE SUBGRADE
 - ④ EXISTING COMBINATION CONCRETE CURB AND GUTTER, TYPE B-6.24
 - ⑤ EXISTING COMBINATION CONCRETE CURB AND GUTTER, TYPE B-6.12
 - ⑥ EXISTING AGGREGATE SHOULDER
 - ⑦ EXISTING HOT-MIX ASPHALT SHOULDER, 4"
 - ⑧ HOT-MIX ASPHALT SURFACE REMOVAL, 2"
 - ⑨ EXISTING GUARD RAIL
 - ▨ REMOVAL

NOTE: INTERSECTION AT RAND ROAD IS OMITTED

CIVILTECH
450 E Devon Ave, Suite 300
Itasca, Illinois 60143
Tel: 630.773.3900 Fax: 630.773.3975
www.civiltechinc.com

DESIGNED - JRR	REVISED -
DRAWN - JRR	REVISED -
CHECKED - RTM	REVISED -
DATE - 10/24/2011	REVISED -

**STATE OF ILLINOIS
DEPARTMENT OF TRANSPORTATION**

NO SCALE

EXISTING TYPICAL SECTIONS

SHEET NO. 1 OF 8 SHEETS

F.A.U. RTE.	SECTION	COUNTY	TOTAL SHEETS	SHEET NO.
364	02-00051-08-WR	LAKE	188	8
CONTRACT NO. 63649				
FED. ROAD DIST. NO. 1 ILLINOIS FED. AID PROJECT				