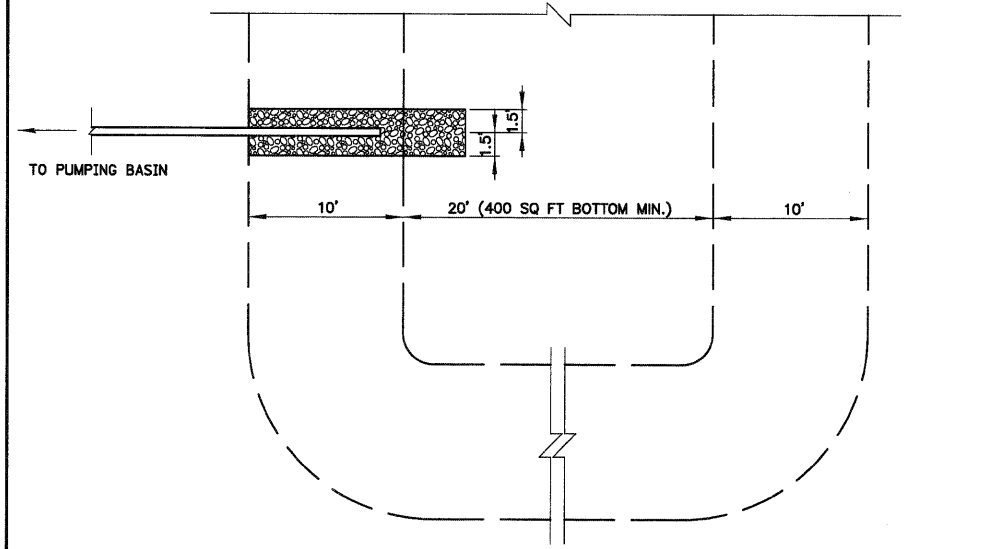
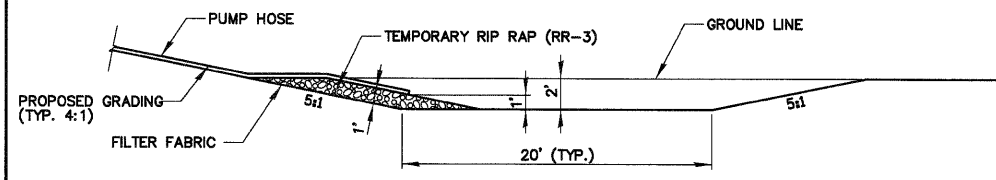


DATE _____
 BY _____
 SURVEYED _____
 PLOTTED _____
 NOTE BOOK _____
 TEMPLATE _____
 AREAS CHECKED _____
 NO. _____



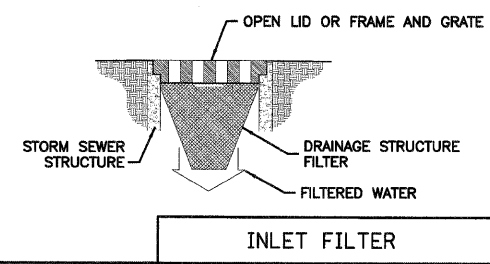
PLAN VIEW



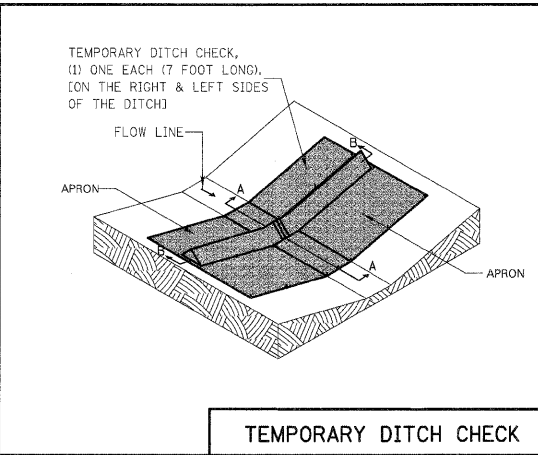
SECTION

TEMPORARY SUMP PIT DETAIL
 N.T.S.

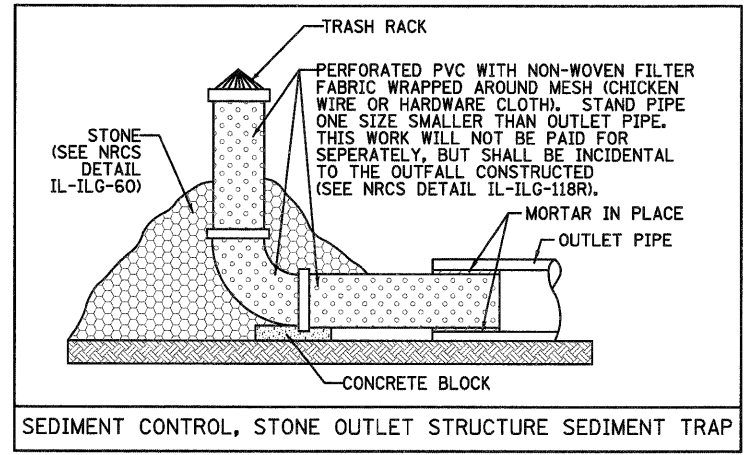
NOTE:
 ALL OPEN LID MANHOLES, INLETS AND CATCH BASINS REGARDLESS OF WHETHER THEY ARE DESIGNATED TO BE PROTECTED WITH INLET AND PIPE PROTECTION, ARE TO USE A DRAINAGE STRUCTURE INLET FILTER ASSEMBLY, CONSISTING OF A FRAME AND FILTER BAG, TO COLLECT SEDIMENT IN THE SURFACE STORMWATER RUNOFF AT LOCATIONS SHOWN ON THE PLANS OR AS DIRECTED BY THE ENGINEER. THIS WORK SHALL BE PAID FOR SEPARATELY.



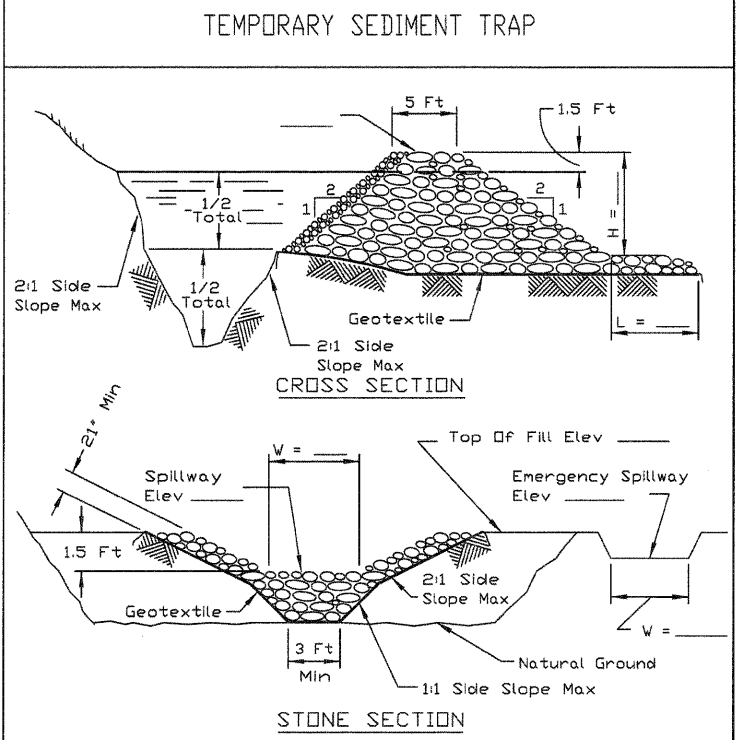
INLET FILTER



TEMPORARY DITCH CHECK



SEDIMENT CONTROL, STONE OUTLET STRUCTURE SEDIMENT TRAP



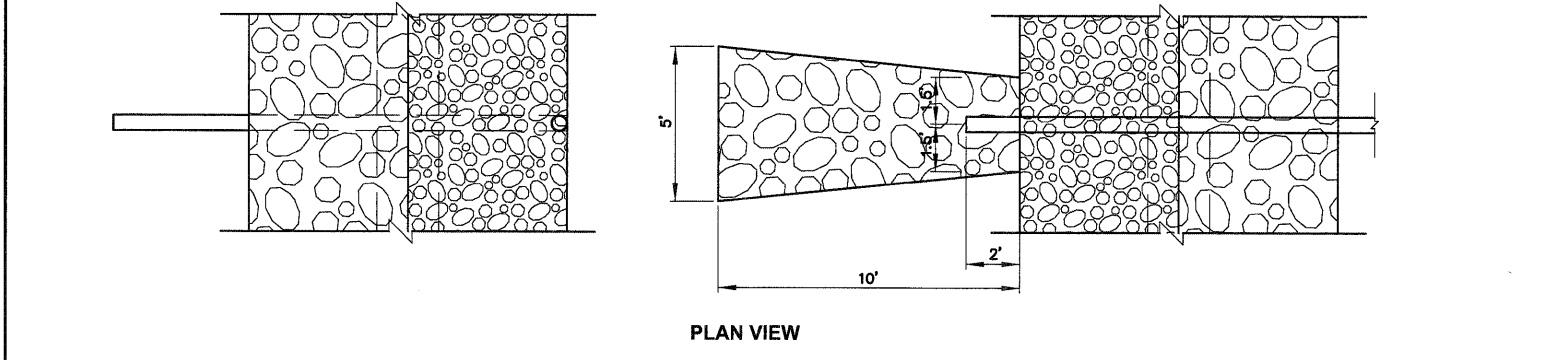
CROSS SECTION

STONE SECTION

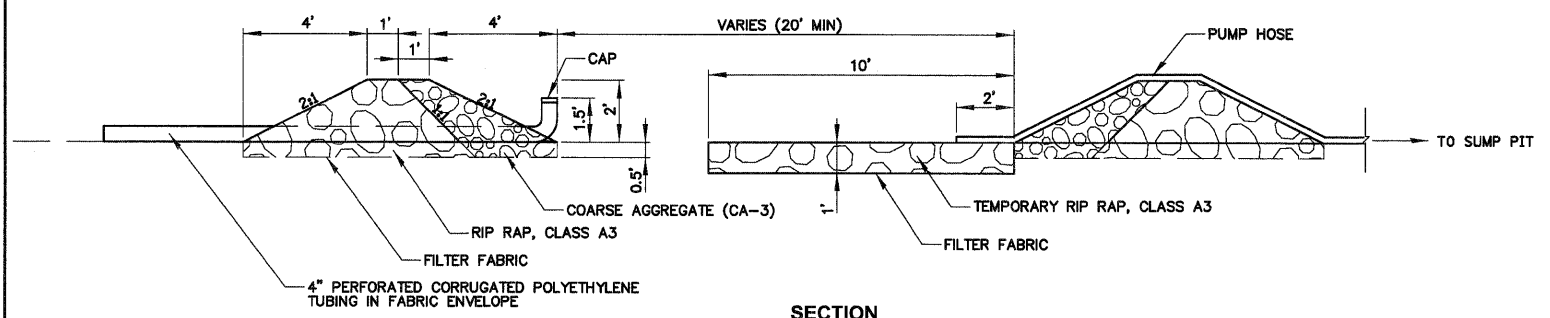
NOTES:
 1. If the sediment pool is formed or enlarged the side slope will be 2:1 or flatter.
 2. The fill shall be constructed using IDOT RR-4 stone size. A 1' layer of IDOT CA-2 should be placed on the inside face to reduce the flow rate.
 3. The rock will be placed according to construction specification 25 ROCKFILL. Placement will be by Method 1 and compaction will be class III.
 4. The geotextile shall meet the requirements in material specification 592 GEOTEXTILE table 1 or 2, class I, II or IV.

REFERENCE Project	Date	 NRCS Natural Resources Conservation Service	STANDARD DWG. NO.
Designed	Date		IL-660
Checked	Date		SHEET 1 OF 1
Approved	Date		DATE 11-20-01

DATE _____
 BY _____
 SURVEYED _____
 PLOTTED _____
 NOTE BOOK _____
 TEMPLATE _____
 AREAS CHECKED _____
 NO. _____

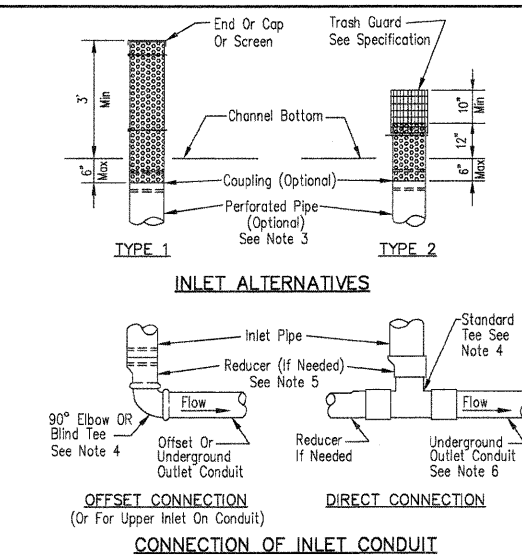


PLAN VIEW



SECTION

TEMPORARY PUMPING BASIN DETAIL
 N.T.S.



INLET ALTERNATIVES

CONNECTION OF INLET CONDUIT

NOTES:
 1. Specification for material and fabrication are as shown.
 2. The above ground portion of the inlet must have holes evenly spaced around the circumference of the pipe as shown in chart.
 3. The below ground portion of the inlet may be perforated with holes 5/16 inch diameter or less to provide drainage around the inlet.
 4. The tee or elbow diameter must be equal to or larger than the diameter of the conduit downstream from the inlet.
 5. Install a reducer immediately above the tee or elbow if the inlet diameter is not equal to the diameter of the tee or elbow.
 6. The underground outlet conduit must be installed deep enough to provide a minimum 24" of cover (after terrace construction) to prevent crushing.

Material Specification
 Inlets may be fabricated from plastic or metal according to the following requirements.
 (a) Plastic pipe Polyvinyl Chloride (PVC) or High Density Polyethylene (PE) pipe with SDR equal to 43 or less.
 (b) Metal pipe: Smooth steel pipe with 3/16" minimum wall thickness or 16 gage corrugated metal pipe (galvanized or aluminum).
FABRICATION:
 Inlet holes shall be smooth and burr free. Holes shall not remove more than 50 percent of material in any horizontal or vertical row or vertical row of holes. For inlets fabricated from metal or smooth plastic, 1" x 4" slots may be used in lieu of 1" diameter holes as long as the openings provide an equal cross-sectional area. Holes larger than 5/16" diameter that are more than 6" below the channel bottom shall be covered with plastic, fiberglass, nylon, gravel or other filter material to prevent soil from entering the inlet. Other combinations of the number and size of holes may be acceptable if approved prior to fabrication. Other materials and method of fabrication may be used for the inlet, tee and other appurtenances as long as the functional intent of the inlet is satisfied and it is approved prior to installation.
ORIFICES:
 Flow may be restricted by use of an orifice plate installed above the tee. It should be firmly supported and able to be removed for maintenance. Orifice plates shall be made from durable plastic or metal. The opening shall be burr free.
TRASH GUARD:
 The trash guard for Type II inlets shall be securely fastened to the inlet. Trash guards may be fabricated from metal rods (1/8" diameter or larger) or galvanized welded wire fabric (16 gage or larger). The spacing between vertical members should be 1" if welded wire fabric is used the spacing between the horizontal members should be 2" (1" if orifice plates are used).

Inlet Diameter Inches	Min No Of 1" Dia. Holes Per Ft. Of Inlet
5	25
6	30
8	40
10	50
12	60

INLET DETAIL FOR UNDERGROUND OUTLETS
 IL-ENG-118R
 SHEET 1 OF 1
 DATE 11-20-01

450 E Devon Ave, Suite 300
 Itasca, Illinois 60143
 Tel: 630.773.3900 Fax: 630.773.3975
 www.civiltechinc.com

DESIGNED - JRR	REVISED -
DRAWN - JRR	REVISED -
CHECKED - RTM	REVISED -
DATE - 10/24/2011	REVISED -

STATE OF ILLINOIS
 DEPARTMENT OF TRANSPORTATION

NO SCALE

EROSION CONTROL & LANDSCAPING
 SHEET NO. 4 OF 5 SHEETS

F.A.U. RTE.	SECTION	COUNTY	TOTAL SHEETS	SHEET NO.
364	02-00051-08-WR	LAKE	188	70
FED. ROAD DIST. NO. 1 [ILLINOIS] FED. AID PROJECT			CONTRACT NO. 63649	