

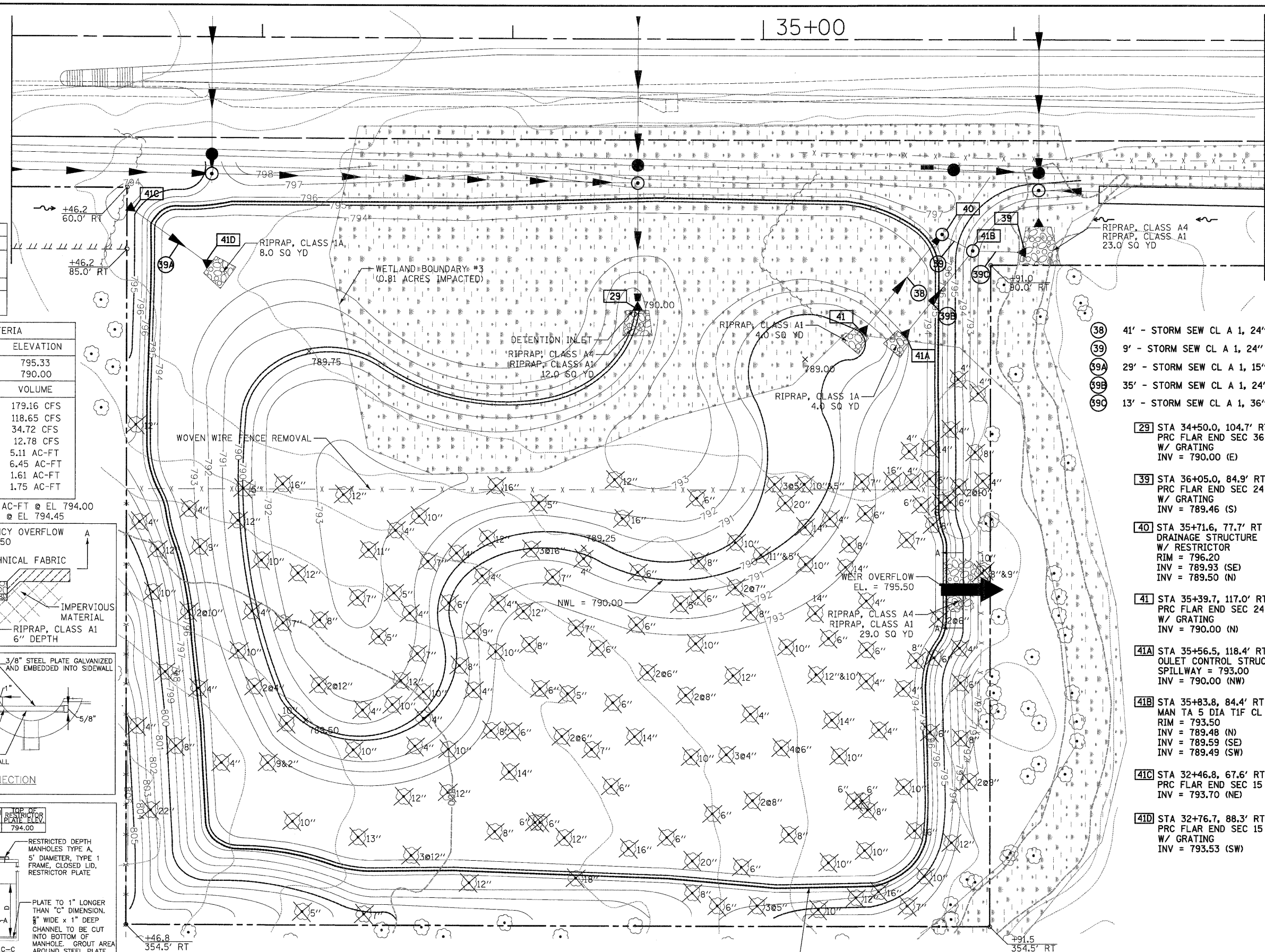
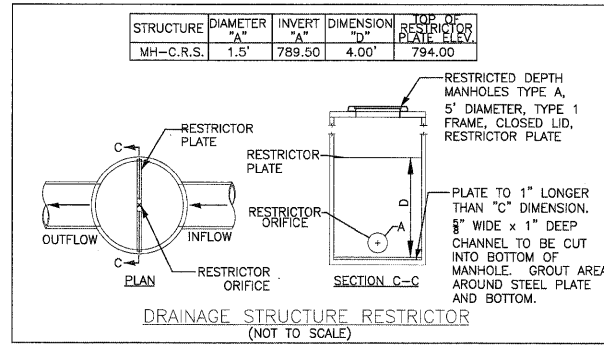
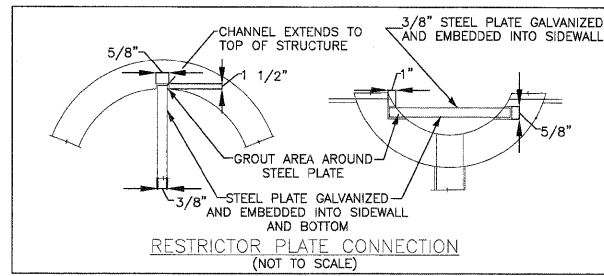
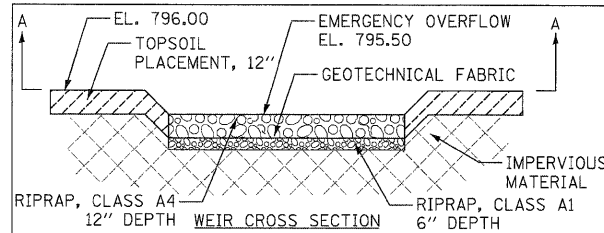
BY: _____ DATE: _____
 SURVEYED _____ PLOTTED _____
 NOTE BOOK _____ TEMPLATE _____
 AREAS CHECKED _____

BY: _____ DATE: _____
 SURVEYED _____ PLOTTED _____
 NOTE BOOK _____ TEMPLATE _____
 AREAS CHECKED _____

SEDIMENT FORBAY CRITERIA	
DESCRIPTION	ELEVATION
OUTFALL ELEVATION	790.00
BOTTOM ELEVATION	789.00
DESCRIPTION	
DESCRIPTION	VOLUME
FOREBAY VOL REQUIRED	0.0458 AC-FT
FOREBAY VOL PROVIDED	0.0460 AC-FT

DETENTION POND CRITERIA	
DESCRIPTION	ELEVATION
HIGH WATER LEVEL (HWL)	795.33
NORMAL WATER LEVEL (NWL)	790.00
DESCRIPTION	
DESCRIPTION	VOLUME
MAX 100 YR RELEASE RATE	179.16 CFS
DESIGN 100 YR RELEASE RATE	118.65 CFS
MAX 2 YR RELEASE RATE	34.72 CFS
DESIGN 2 YR RELEASE RATE	12.78 CFS
100 YR VOLUME REQUIRED	5.11 AC-FT
100 YR VOLUME PROVIDED	6.45 AC-FT
2 YR VOLUME REQUIRED	1.61 AC-FT
2 YR VOLUME PROVIDED	1.75 AC-FT

* DETENTION REQUIRED (100 YR) = 4.26 AC-FT @ EL 794.00
 4.26 X 1.2 (DVSF) = 5.11 AC-FT @ EL 794.45



- 38 41' - STORM SEW CL A 1, 24" @ 0.17%
- 39 9' - STORM SEW CL A 1, 24" @ 0.17%
- 39A 29' - STORM SEW CL A 1, 15" @ 0.60%
- 39B 35' - STORM SEW CL A 1, 24" @ 1.00%
- 39C 13' - STORM SEW CL A 1, 36" @ 0.10%

- 29 STA 34+50.0, 104.7' RT PRC FLAR END SEC 36 W/ GRATING INV = 790.00 (E)
- 39 STA 36+05.0, 84.9' RT PRC FLAR END SEC 24 W/ GRATING INV = 789.46 (S)
- 40 STA 35+71.6, 77.7' RT DRAINAGE STRUCTURE W/ RESTRICTOR RIM = 796.20 INV = 789.93 (SE) INV = 789.50 (N)
- 41 STA 35+39.7, 117.0' RT PRC FLAR END SEC 24 W/ GRATING INV = 790.00 (N)
- 41A STA 35+56.5, 118.4' RT OULET CONTROL STRUCTURE SPILLWAY = 793.00 INV = 790.00 (NW)
- 41B STA 35+83.8, 84.4' RT MAN TA 5 DIA TIF CL RIM = 793.50 INV = 789.48 (N) INV = 789.59 (SE) INV = 789.49 (SW)
- 41C STA 32+46.8, 67.6' RT PRC FLAR END SEC 15 INV = 793.70 (NE)
- 41D STA 32+76.7, 88.3' RT PRC FLAR END SEC 15 W/ GRATING INV = 793.53 (SW)

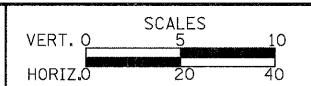
NOTE:
 ALL TREE REMOVAL SHOWN ON THIS SHEET TO BE PAID FOR AS TREE REMOVAL, ACRES (SPECIAL).

QUENTIN ROAD

CIVILTECH
 450 E Devon Ave, Suite 300
 Itasca, Illinois 60143
 Tel: 630.773.3900 Fax: 630.773.3975
 www.civiltechinc.com

DESIGNED - JRR
 DRAWN - JRR
 CHECKED - RTM
 DATE - 10/24/2011

STATE OF ILLINOIS
 DEPARTMENT OF TRANSPORTATION



STORMWATER MANAGEMENT PLAN

SHEET NO. 14 OF 14 SHEETS

F.A.U. RTE.	SECTION	COUNTY	TOTAL SHEETS	SHEET NO.
364	02-00051-08-WR	LAKE	188	85
CONTRACT NO. 63649				
FED. ROAD DIST. NO. 1 ILLINOIS FED. AID PROJECT				