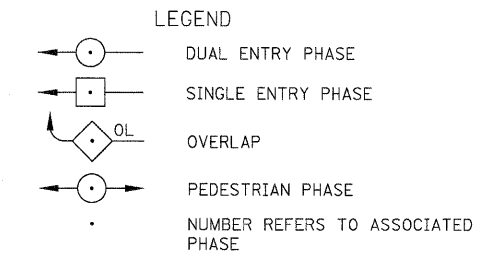
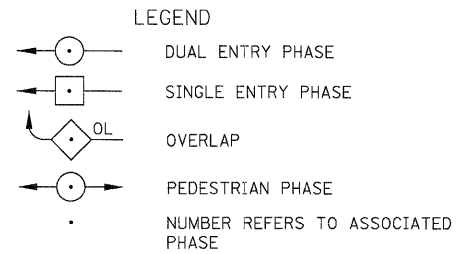
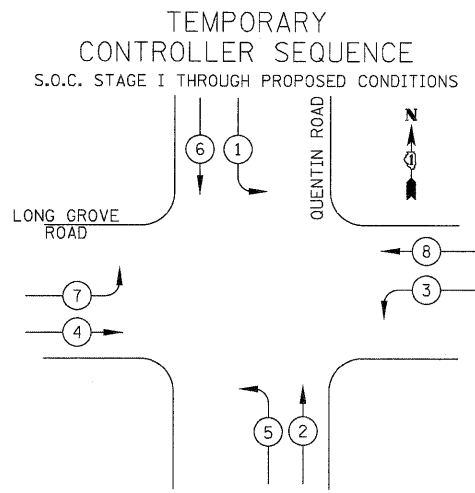
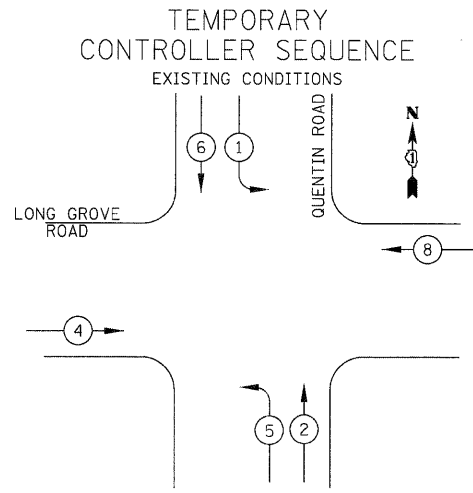


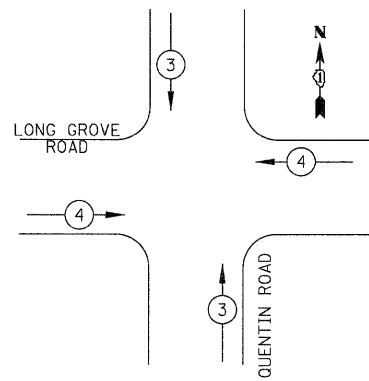
DATE	
BY	
FINAL SURVEY	
PLOTTED	
NOTE BOOK	
AREAS CHECKED	
NO.	

DATE	
BY	
ORIGINAL SURVEY	
PLOTTED	
NOTE BOOK	
AREAS CHECKED	
NO.	



PHASE DESIGNATION DIAGRAM

TEMPORARY EMERGENCY VEHICLE PREEMPTION SEQUENCE

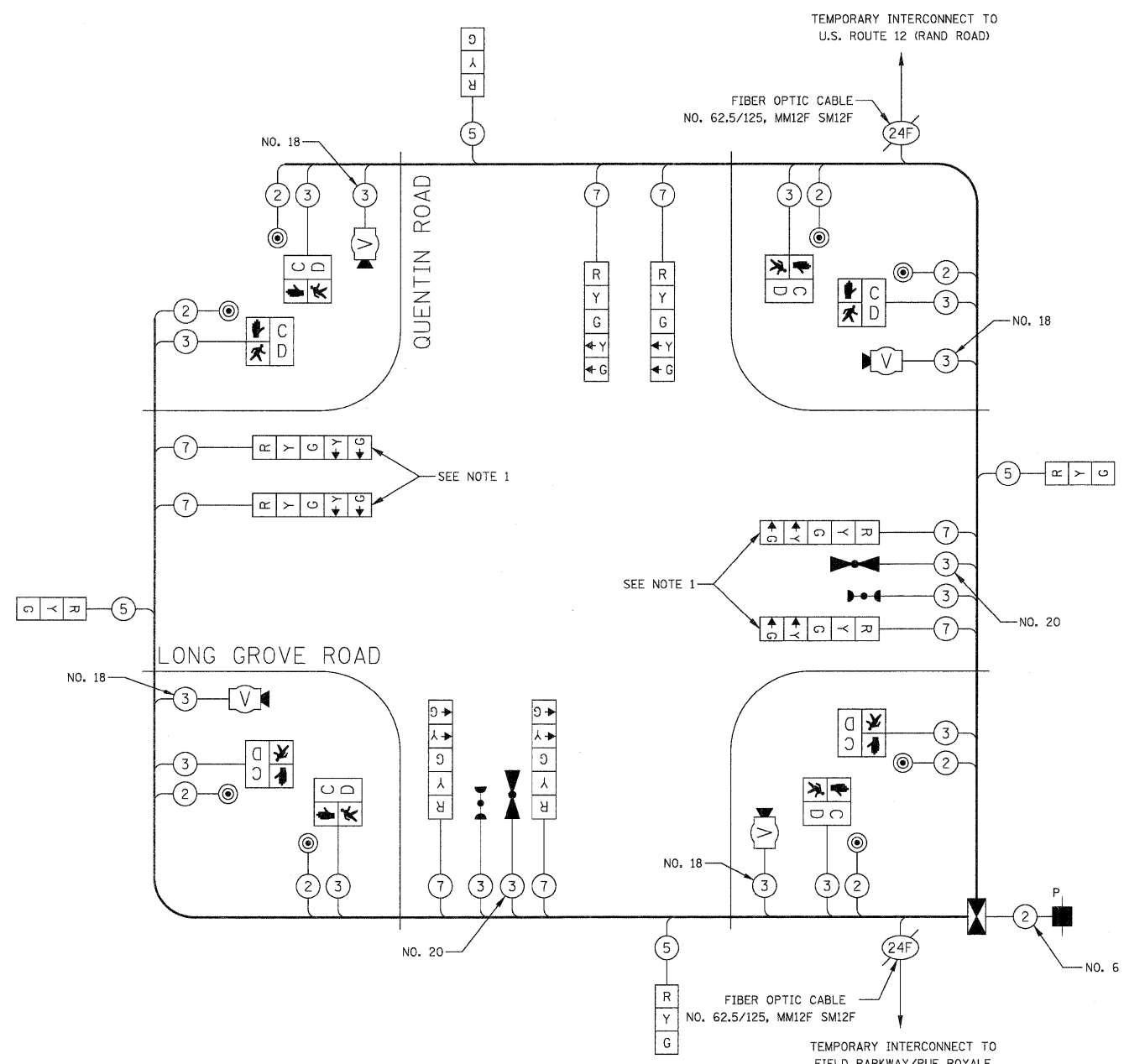


PROPOSED TEMPORARY EMERGENCY VEHICLE PREEMPTORS		
EMERGENCY VEHICLE PREEMPTOR	3	4
MOVEMENT	↑	→

L.C.D.O.T. TRAFFIC SIGNAL INSTALLATION ELECTRICAL SERVICE REQUIREMENTS					TOTAL WATTAGE
TYPE	NO. LAMPS	WATTAGE		OPERATION	
		INCAND.	LED		
SIGNAL (RED)	12		10	0.50	60.0
(YELLOW)	12		19	0.25	57.0
(GREEN)	12		11	0.25	33.0
ARROW	16		9	0.10	14.4
CONTROLLER	1		100	1.00	100.0
VIDEO SYSTEM	1		150	1.00	150.0
FLASHER				0.50	
TOTAL =					414.4

ENERGY COSTS TO: LAKE COUNTY DIVISION OF TRANSPORTATION
600 WEST WINCHESTER ROAD
LIBERTYVILLE, IL 60048
CONTACT: DONALD PESCE
PHONE: (847) 870-2057
COMPANY: COM ED

ENERGY SUPPLY:



TEMPORARY CABLE PLAN
NOT TO SCALE

TEMPORARY CABLE PLAN NOTES

- THE LEFT TURN SECTIONS OF THESE SIGNAL HEADS SHALL BE BAGGED AND THE PHASES DISABLED UNTIL THE BEGINNING OF S.O.C. STAGE I.

NOTE:
THE TRAFFIC SIGNAL CONTROLLER EQUIPMENT FOR THIS PROJECT SHALL BE "ECONOLITE" AND NTCIP COMPLIANT TO MATCH THE EXISTING ADJACENT SYSTEM.

CIVILTECH
450 E Devon Ave, Suite 300
Itasca, Illinois 60143
Tel: 630.773.3900 Fax: 630.773.3975
www.civiltechinc.com

DESIGNED - BRD	REVISED -
DRAWN - BRD	REVISED -
CHECKED - JJE	REVISED -
DATE - 10/24/2011	REVISED -

**STATE OF ILLINOIS
DEPARTMENT OF TRANSPORTATION**

NO SCALE

**TEMPORARY CABLE PLAN, TEMPORARY SEQUENCE OF OPERATION
& TEMPORARY EMERGENCY VEHICLE PREEMPTION SEQUENCE
QUENTIN ROAD AT LONG GROVE ROAD**

SHEET NO. 1 OF 1 SHEETS

F.A.U. RTE.	SECTION	COUNTY	TOTAL SHEETS	SHEET NO.
364	02-00051-08-WR	LAKE	188	93
CONTRACT NO. 63649				
FED. ROAD DIST. NO. 1 ILLINOIS FED. AID PROJECT				