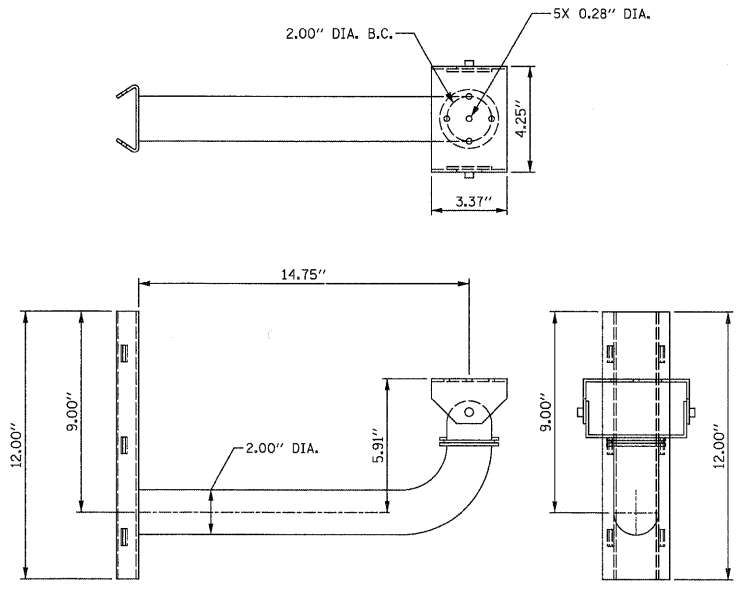
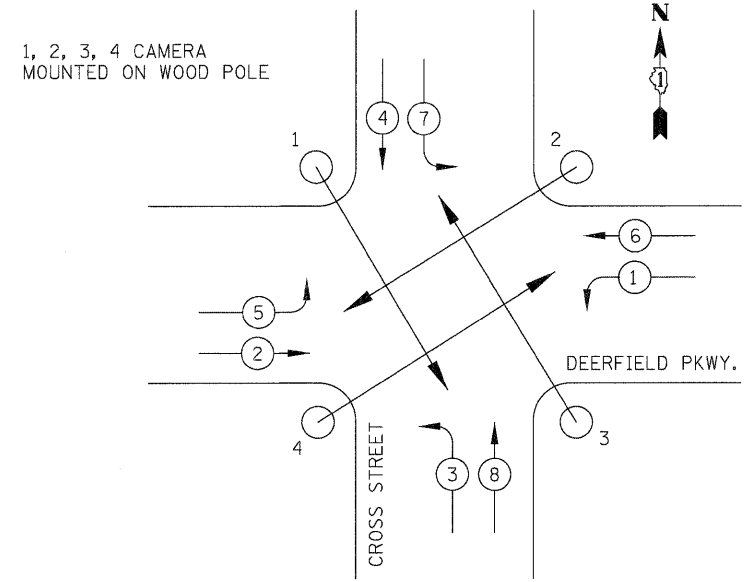
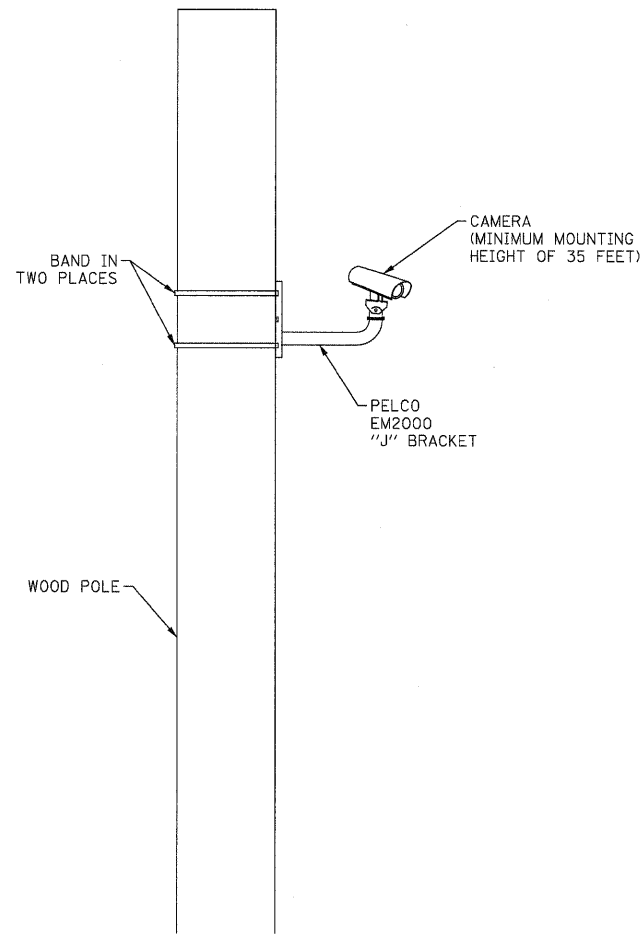


DATE	
BY	
SURVEYED	
PLANNED	
TEMPLATE	
AREAS	
CHECKED	
NO.	

DATE	
BY	
SURVEYED	
PLANNED	
TEMPLATE	
AREAS	
CHECKED	
NO.	



EM2000 DIMENSION DRAWING

TEMPORARY CAMERA MOUNTING DETAILS  
(NOT TO SCALE)

**CIVILTECH**  
450 E Devon Ave, Suite 300  
Itasca, Illinois 60143  
Tel: 630.773.3900 Fax: 630.773.3975  
www.civiltechinc.com

DESIGNED - BRD	REVISED -
DRAWN - BRD	REVISED -
CHECKED - JJE	REVISED -
DATE - 10/24/2011	REVISED -

STATE OF ILLINOIS  
DEPARTMENT OF TRANSPORTATION

NO SCALE

TEMPORARY VIDEO CONNECTION DETAILS

SHEET NO. 1 OF 1 SHEETS

F.A.U. RTE.	SECTION	COUNTY	TOTAL SHEETS	SHEET NO.
364	02-00051-08-WR	LAKE	188	124
FED. ROAD DIST. NO. 1 ILLINOIS FED. AID PROJECT				

CONTRACT NO. 63649