

**SOILS NOTE:**

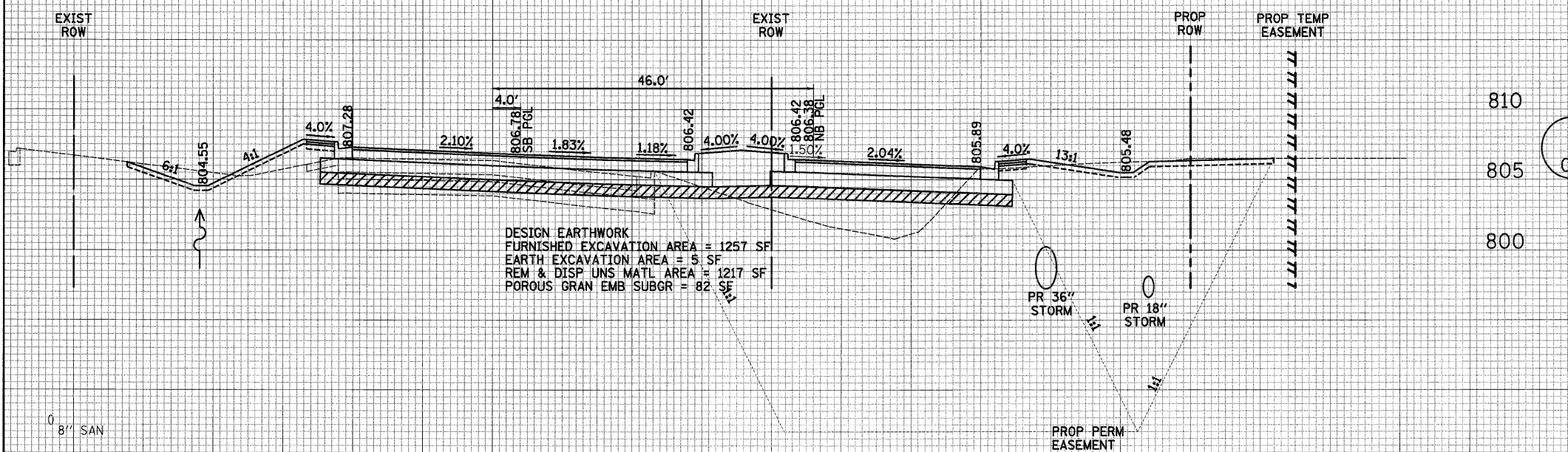
POROUS GRANULAR EMBANKMENT, SUBGRADE (PGES) HAS BEEN PROVIDED AT THE LOCATIONS INDICATED FOR SOILS WHICH TEND TO BE UNSTABLE WHEN WET. THE ACTUAL NEED FOR REMOVAL AND REPLACEMENT WITH PGES WILL BE DETERMINED IN THE FIELD AT THE TIME OF CONSTRUCTION WITH THE IDOT SUBGRADE MANUAL. IF UNSTABLE SOILS ARE ENCOUNTERED, THE SOILS SHALL BE REMOVED AND REPLACED WITH PGES. IF UNSTABLE SOILS ARE NOT ENCOUNTERED, THEN THE QUANTITY WILL BE DEDUCTED AND NO ADDITIONAL COMPENSATION WILL BE DUE THE CONTRACTOR.

THE LIMITS OF UNSTABLE SOILS AT THE APPROXIMATE LOCATIONS AS FOLLOWS:

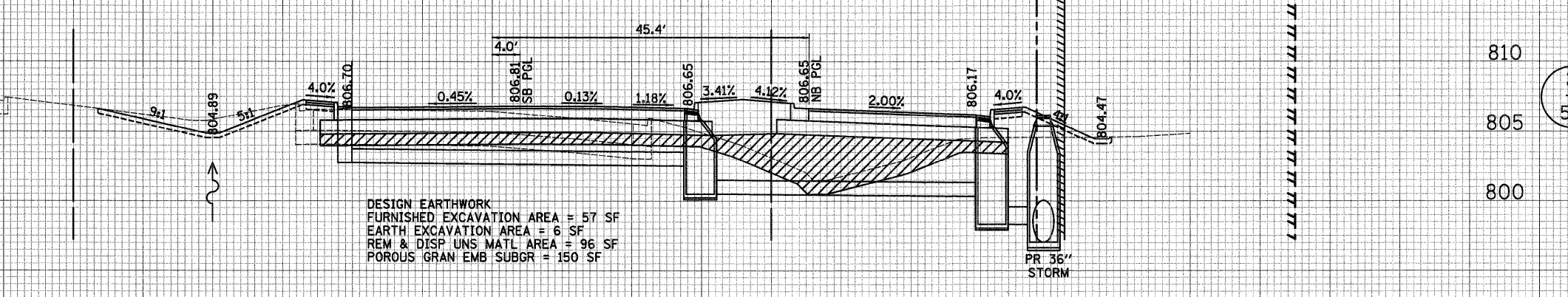
STA TO STA	ESTIMATED UNDERCUT BELOW DESIGN SUBGRADE
26+82 TO 29+85	12" FOR FULL WIDTH
32+25 TO 33+75	EXCAVATE TO ELEV 785
33+75 TO 37+50	EXCAVATE TO ELEV 787
39+88 TO 42+63	10" FOR FULL WIDTH
0+00 TO 3+24	10" FOR FULL WIDTH
2+75 TO 4+00	EXCAVATE TO ELEV 787
6+09 TO 8+78	12" FOR FULL WIDTH
14+69 TO 17+37	10" FOR FULL WIDTH

DATE: \_\_\_\_\_  
 BY: \_\_\_\_\_  
 SURVEYED: \_\_\_\_\_  
 DRAWN: \_\_\_\_\_  
 CHECKED: \_\_\_\_\_  
 NO. \_\_\_\_\_

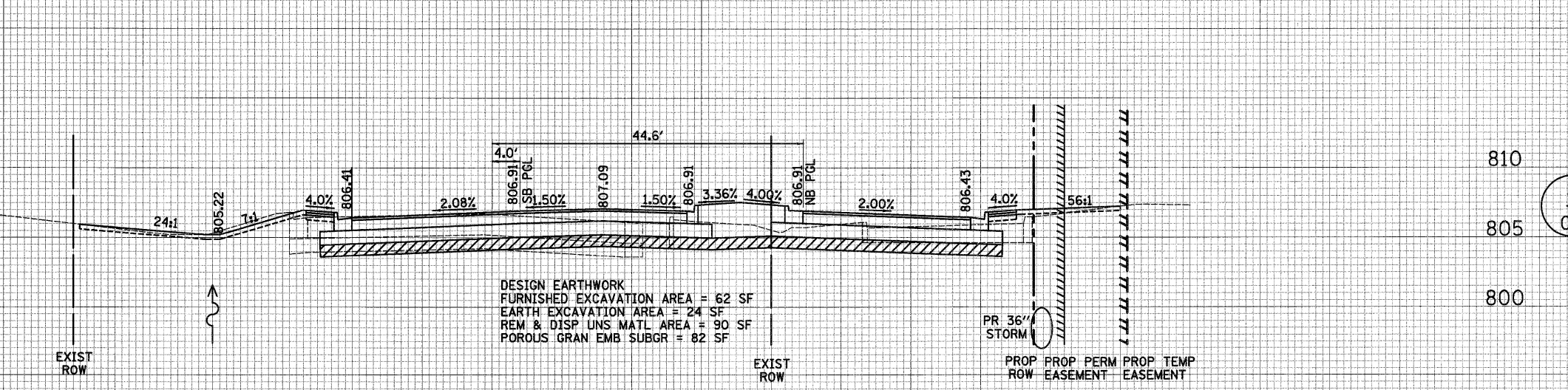
DATE: \_\_\_\_\_  
 BY: \_\_\_\_\_  
 SURVEYED: \_\_\_\_\_  
 DRAWN: \_\_\_\_\_  
 CHECKED: \_\_\_\_\_  
 NO. \_\_\_\_\_



DESIGN EARTHWORK  
 FURNISHED EXCAVATION AREA = 1257 SF  
 EARTH EXCAVATION AREA = 5 SF  
 REM & DISP UNS MATL AREA = 1217 SF  
 POROUS GRAN EMB SUBGR = 82 SF

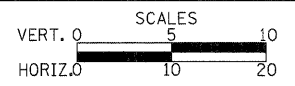


DESIGN EARTHWORK  
 FURNISHED EXCAVATION AREA = 57 SF  
 EARTH EXCAVATION AREA = 6 SF  
 REM & DISP UNS MATL AREA = 96 SF  
 POROUS GRAN EMB SUBGR = 150 SF



DESIGN EARTHWORK  
 FURNISHED EXCAVATION AREA = 62 SF  
 EARTH EXCAVATION AREA = 24 SF  
 REM & DISP UNS MATL AREA = 90 SF  
 POROUS GRAN EMB SUBGR = 82 SF

DESIGNED - JRR	REVISED -
DRAWN - JRR	REVISED -
CHECKED - RTM	REVISED -
DATE - 10/24/2011	REVISED -



F.A.U. RTE.	SECTION	COUNTY	TOTAL SHEETS	SHEET NO.
364	02-00051-08-WR	LAKE	188	159

CONTRACT NO. 63649  
 FED. ROAD DIST. NO. 1 ILLINOIS FED. AID PROJECT